



UHF Male Connector Solder Attachment For RG58,
RG303, RG141, PE-C195, PE-P195, LMR-195

TECHNICAL DATA SHEET

PE44829

Configuration

Connector	UHF Male
Connector Interface Type	RG58, RG303, RG141, PE-C195, PE-P195, LMR-195
Cable Attachment Method (Shield/Contact)	Solder
Body Style	Straight

Electrical Specifications

Frequency Range, MHz	DC to 300
Impedance, Ohms	50
Maximum VSWR	1.3:1
Maximum Operating Voltage, Volts	500

Mechanical Specifications

Temperature

Operating Range, deg C	-55 to +85
------------------------	------------

Size

Length, in [mm]	1.41 [35.81]
Width/Dia., in [mm]	0.7 [17.78]
Weight, lbs [g]	0.041 [18.6]

Connector

Type	UHF Male
Contact Material and Plating	Brass, Gold
Contact Plating Specification	30µ in. minimum
Coupling Nut Material and Plating	Brass, Nickel
Coupling Nut Plating Specification	100µ in. minimum
Body Material and Plating	Brass, Nickel
Body Plating Specification	100µ in. minimum
Dielectric Type	Teflon

Compliance Certifications (visit www.Pasternack.com for current document)

RoHS Compliant	Yes
----------------	-----

Click the following link (or enter part number in "SEARCH" on website) to obtain additional part information including price, inventory and certifications: [UHF Male Connector Solder Attachment For RG58, RG303, RG141, PE-C195, PE-P195, LMR-195 PE44829](#)

The information contained in this document is accurate to the best of our knowledge and representative of the part described herein. It may be necessary to make modifications to the part and/or the documentation of the part, in order to implement improvements. Pasternack reserves the right to make such changes as required. Unless otherwise stated, all specifications are nominal.



UHF Male Connector Solder Attachment For RG58,
RG303, RG141, PE-C195, PE-P195, LMR-195

TECHNICAL DATA SHEET

PE44829

Plotted and Other Data

Notes:

Values at 25 °C, sea level

UHF Male Connector Solder Attachment For RG58, RG303, RG141, PE-C195, PE-P195, LMR-195 from Pasternack Enterprises has same day shipment for domestic and International orders. Our RF, microwave and fiber optic products maintain a 99% availability and are part of the broadest selection in the industry.

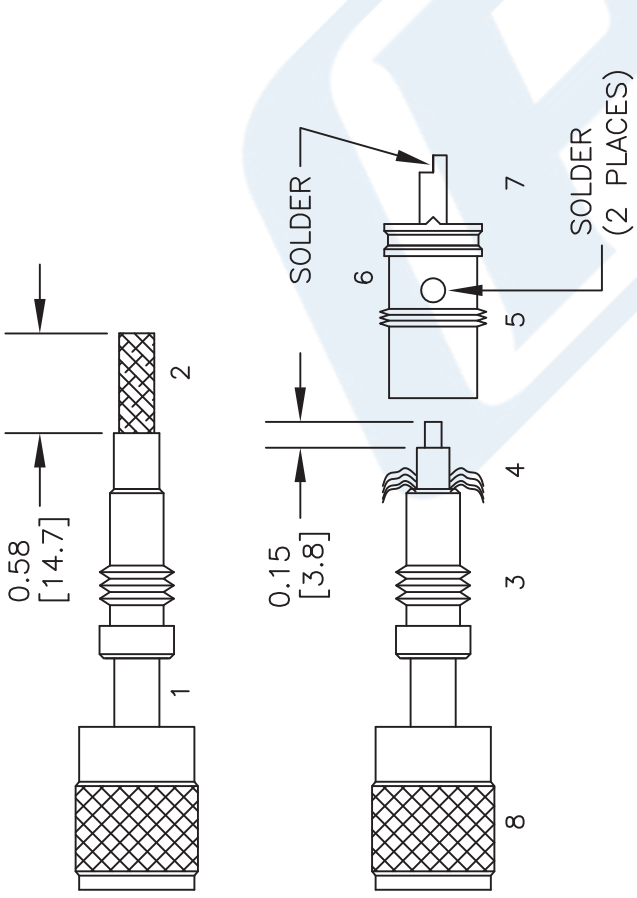
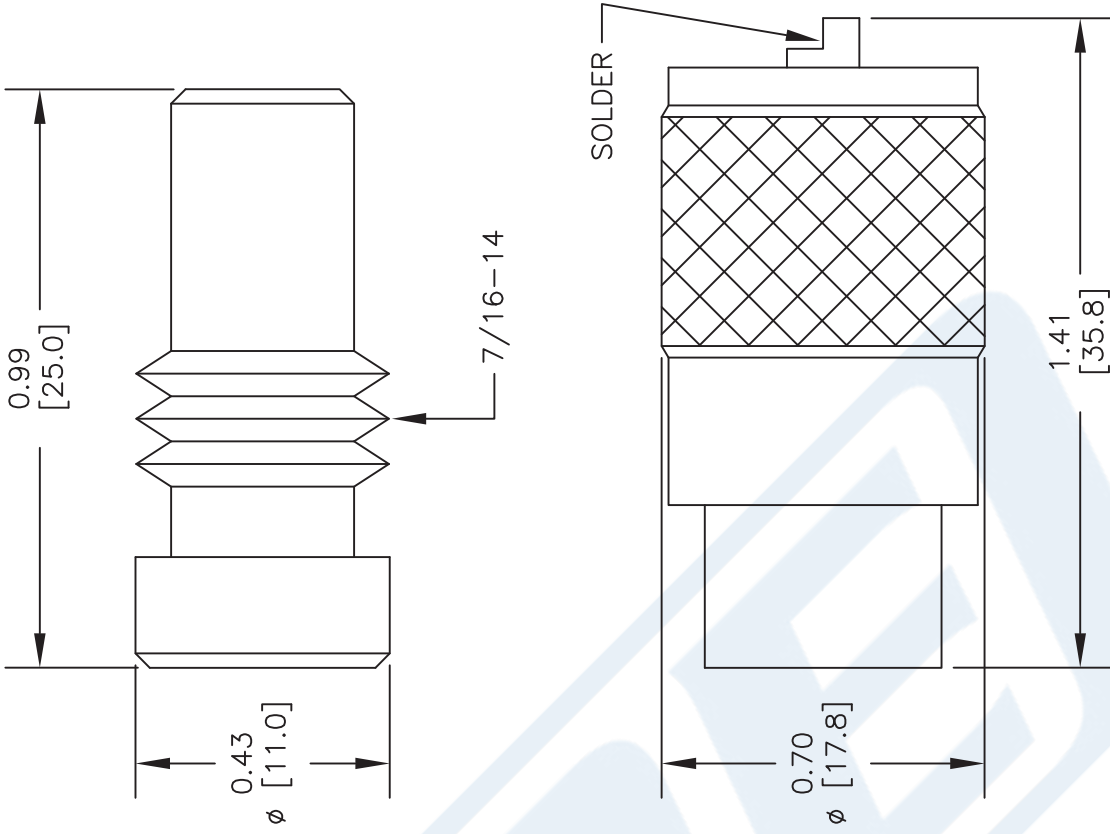
Click the following link (or enter part number in "SEARCH" on website) to obtain additional part information including price, inventory and certifications: [UHF Male Connector Solder Attachment For RG58, RG303, RG141, PE-C195, PE-P195, LMR-195 PE44829](http://www.pasternack.com/uhf-male-standard-rg58-rg303-rg141-pe-c195-pe-p195-lmr-195-connector-pe44829)

URL: <http://www.pasternack.com/uhf-male-standard-rg58-rg303-rg141-pe-c195-lmr-195-connector-pe44829-p.aspx>

The information contained in this document is accurate to the best of our knowledge and representative of the part described herein. It may be necessary to make modifications to the part and/or the documentation of the part, in order to implement improvements. Pasternack reserves the right to make such changes as required. Unless otherwise stated, all specifications are nominal.

PE44829 CAD Drawing

UHF Male Connector Solder Attachment For RG58, RG303,
RG141, PE-C195, PE-P195, LMR-195



ASSEMBLY PROCEDURES

1. SLIDE : COUPLING NUT & CLAMP OVER THE JACKET OF COAX CABLE.
2. STRIP TO GIVEN DIMENSIONS.
3. SLIDE CLAMP TOWARD THE BEGINNING OF THE STRIPPED AREA.
4. FLARE / COMB BRAID BACK ONTO THE CLAMP AND STRIP CENTER CONDUCTOR.
5. THREAD CONNECTOR BODY ONTO CLAMP.
6. SOLDER CONNECTOR BODY ON TO THE BRAIDED & CLAMP THROUGH SOLDER HOLE.
7. SOLDER CENTER CONTACT ONTO THE CENTER CONDUCTOR.
8. SLIDE COUPLING NUT FORWARD & THREAD ONTO THE CONNECTOR BODY.

DWG TITLE

PE44829

NOTES:
1. UNLESS OTHERWISE SPECIFIED ALL DIMENSIONS ARE NOMINAL.
2. ALL SPECIFICATIONS ARE SUBJECT TO CHANGE WITHOUT NOTICE AT ANY TIME.
3. DIMENSIONS ARE IN INCHES [mm].
4. FITS MIL-C-17 AND EQUIVALENT CABLES.

FSCM NO. 53919

CAD FILE 052113

SCALE N/A

SIZE A

2233

PE PASTERNAK®
Pasternack Enterprises, Inc.
P.O. Box 16759 | Irvine | CA | 92623
Phone: (949) 261-1920 | Fax: (949) 261-7451
Website: www.pasternack.com | E-Mail: sales@pasternack.com



UHF Male Connector Solder Attachment For RG58,
RG303, RG141, PE-C195, PE-P195, LMR-195

TECHNICAL DATA SHEET

PE44829

Configuration

Connector	UHF Male
Connector Interface Type	RG58, RG303, RG141, PE-C195, PE-P195, LMR-195
Cable Attachment Method (Shield/Contact)	Solder
Body Style	Straight

Electrical Specifications

Frequency Range, MHz	DC to 300
Impedance, Ohms	50
Maximum VSWR	1.3:1
Maximum Operating Voltage, Volts	500

Mechanical Specifications

Temperature

Operating Range, deg C	-55 to +85
------------------------	------------

Size

Length, in [mm]	1.41 [35.81]
Width/Dia., in [mm]	0.7 [17.78]
Weight, lbs [g]	0.041 [18.6]

Connector

Type	UHF Male
Contact Material and Plating	Brass, Gold
Contact Plating Specification	30µ in. minimum
Coupling Nut Material and Plating	Brass, Nickel
Coupling Nut Plating Specification	100µ in. minimum
Body Material and Plating	Brass, Nickel
Body Plating Specification	100µ in. minimum
Dielectric Type	Teflon

Compliance Certifications (visit www.Pasternack.com for current document)

RoHS Compliant	Yes
----------------	-----

Click the following link (or enter part number in "SEARCH" on website) to obtain additional part information including price, inventory and certifications: [UHF Male Connector Solder Attachment For RG58, RG303, RG141, PE-C195, PE-P195, LMR-195 PE44829](#)

The information contained in this document is accurate to the best of our knowledge and representative of the part described herein. It may be necessary to make modifications to the part and/or the documentation of the part, in order to implement improvements. Pasternack reserves the right to make such changes as required. Unless otherwise stated, all specifications are nominal.



UHF Male Connector Solder Attachment For RG58,
RG303, RG141, PE-C195, PE-P195, LMR-195

TECHNICAL DATA SHEET

PE44829

Plotted and Other Data

Notes:

Values at 25 °C, sea level

UHF Male Connector Solder Attachment For RG58, RG303, RG141, PE-C195, PE-P195, LMR-195 from Pasternack Enterprises has same day shipment for domestic and International orders. Our RF, microwave and fiber optic products maintain a 99% availability and are part of the broadest selection in the industry.

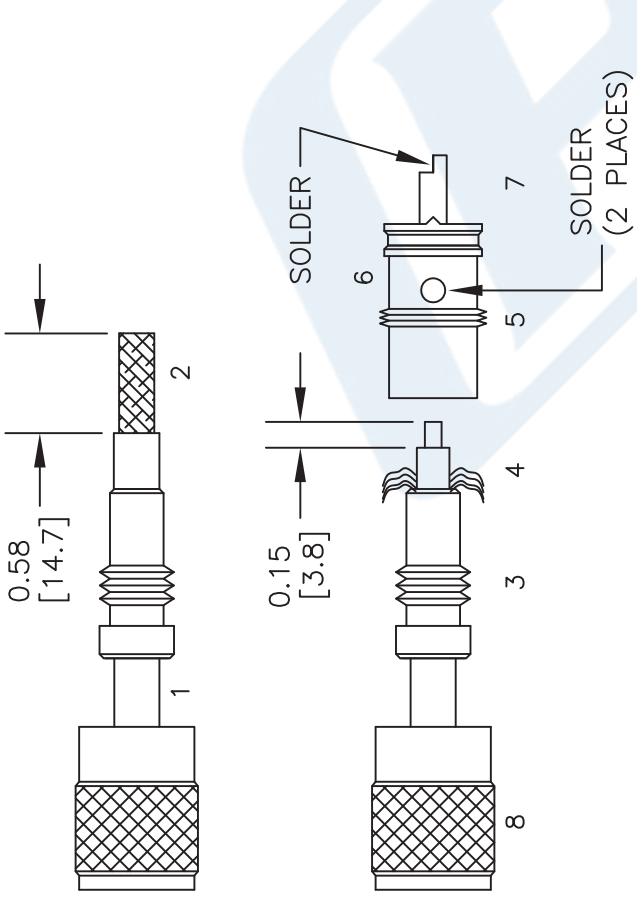
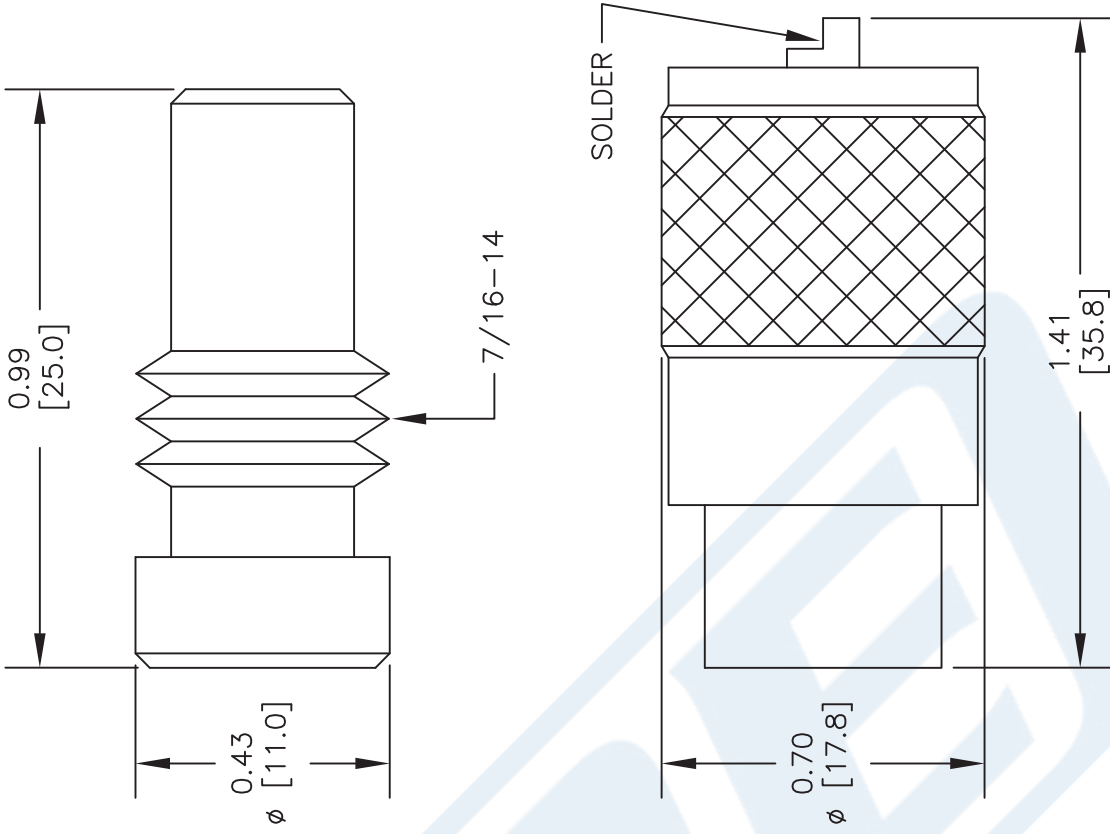
Click the following link (or enter part number in "SEARCH" on website) to obtain additional part information including price, inventory and certifications: [UHF Male Connector Solder Attachment For RG58, RG303, RG141, PE-C195, PE-P195, LMR-195 PE44829](http://www.pasternack.com/uhf-male-standard-rg58-rg303-rg141-pe-c195-pe-p195-lmr-195-connector-pe44829)

URL: <http://www.pasternack.com/uhf-male-standard-rg58-rg303-rg141-pe-c195-lmr-195-connector-pe44829-p.aspx>

The information contained in this document is accurate to the best of our knowledge and representative of the part described herein. It may be necessary to make modifications to the part and/or the documentation of the part, in order to implement improvements. Pasternack reserves the right to make such changes as required. Unless otherwise stated, all specifications are nominal.

PE44829 CAD Drawing

UHF Male Connector Solder Attachment For RG58, RG303,
RG141, PE-C195, PE-P195, LMR-195



ASSEMBLY PROCEDURES

1. SLIDE : COUPLING NUT & CLAMP OVER THE JACKET OF COAX CABLE.
2. STRIP TO GIVEN DIMENSIONS.
3. SLIDE CLAMP TOWARD THE BEGINNING OF THE STRIPPED AREA.
4. FLARE / COMB BRAID BACK ONTO THE CLAMP AND STRIP CENTER CONDUCTOR.
5. THREAD CONNECTOR BODY ONTO CLAMP.
6. SOLDER CONNECTOR BODY ON TO THE BRAIDED & CLAMP THROUGH SOLDER HOLE.
7. SOLDER CENTER CONTACT ONTO THE CENTER CONDUCTOR.
8. SLIDE COUPLING NUT FORWARD & THREAD ONTO THE CONNECTOR BODY.

DWG TITLE

PE44829

NOTES:
1. UNLESS OTHERWISE SPECIFIED ALL DIMENSIONS ARE NOMINAL.
2. ALL SPECIFICATIONS ARE SUBJECT TO CHANGE WITHOUT NOTICE AT ANY TIME.
3. DIMENSIONS ARE IN INCHES [mm].
4. FITS MIL-C-17 AND EQUIVALENT CABLES.

FSCM NO. 53919

CAD FILE 052113

SCALE N/A

SIZE A

2233

PE PASTERNAK®
 Pasternack Enterprises, Inc.
 P.O. Box 16759 | Irvine | CA | 92623
 Phone: (949) 261-1920 | Fax: (949) 261-7451
 Website: www.pasternack.com | E-Mail: sales@pasternack.com



Flexible RG303 Coax Cable Single Shielded with Tan FEP Jacket

TECHNICAL DATA SHEET

RG303/U

Flexible RG303 Coax Cable Single Shielded with Tan FEP Jacket

Configuration

Inner Conductor Material and Plating	Copper Clad Steel, Silver
Dielectric Type	PTFE
Shield Materials	Silver Plated Copper Braid
Jacket Material and Color	FEP, Tan

Electrical Specifications

Impedance, Ohms	50
Maximum Operating Frequency, GHz	3
Capacitance, pF/ft [pF/m]	32 [104.99]
Dielectric Withstanding Voltage, Vrms	5,000

Electrical Specifications by Frequency

Frequency 1

Frequency, MHz	400
Attenuation, dB/100ft [dB/100m]	8.6 [28.22]

Mechanical Specifications

Inner Conductor

Number of Strands	1
Material	Copper Clad Steel
Plating	Silver
Diameter, in [mm]	0.037 [0.94]

Dielectric:

Type	PTFE
Diameter, in [mm]	0.116 [2.95]

Shield:

Number of	1
Material 1	Silver Plated Copper Braid
Diameter, in [mm]	0.146 [3.71]

Jacket:

Material	FEP
Diameter, in [mm]	0.17 [4.32]
Color	Tan
Weight, lbs/ft [Kg/m]	0.039 [0.06]

Click the following link (or enter part number in "SEARCH" on website) to obtain additional part information including price, inventory and certifications: [Flexible RG303 Coax Cable Single Shielded with Tan FEP Jacket RG303/U](#)

The information contained in this document is accurate to the best of our knowledge and representative of the part described herein. It may be necessary to make modifications to the part and/or the documentation of the part, in order to implement improvements. Pasternack reserves the right to make such changes as required. Unless otherwise stated, all specifications are nominal.



Flexible RG303 Coax Cable Single Shielded with Tan FEP Jacket

TECHNICAL DATA SHEET

RG303/U

Compliance Certifications (visit www.Pasternack.com for current document)

RoHS Compliant

Yes

Plotted and Other Data

Notes:

Values at 25 °C, sea level

Flexible RG303 Coax Cable Single Shielded with Tan FEP Jacket from Pasternack Enterprises has same day shipment for domestic and International orders. Our RF, microwave and fiber optic products maintain a 99% availability and are part of the broadest selection in the industry.

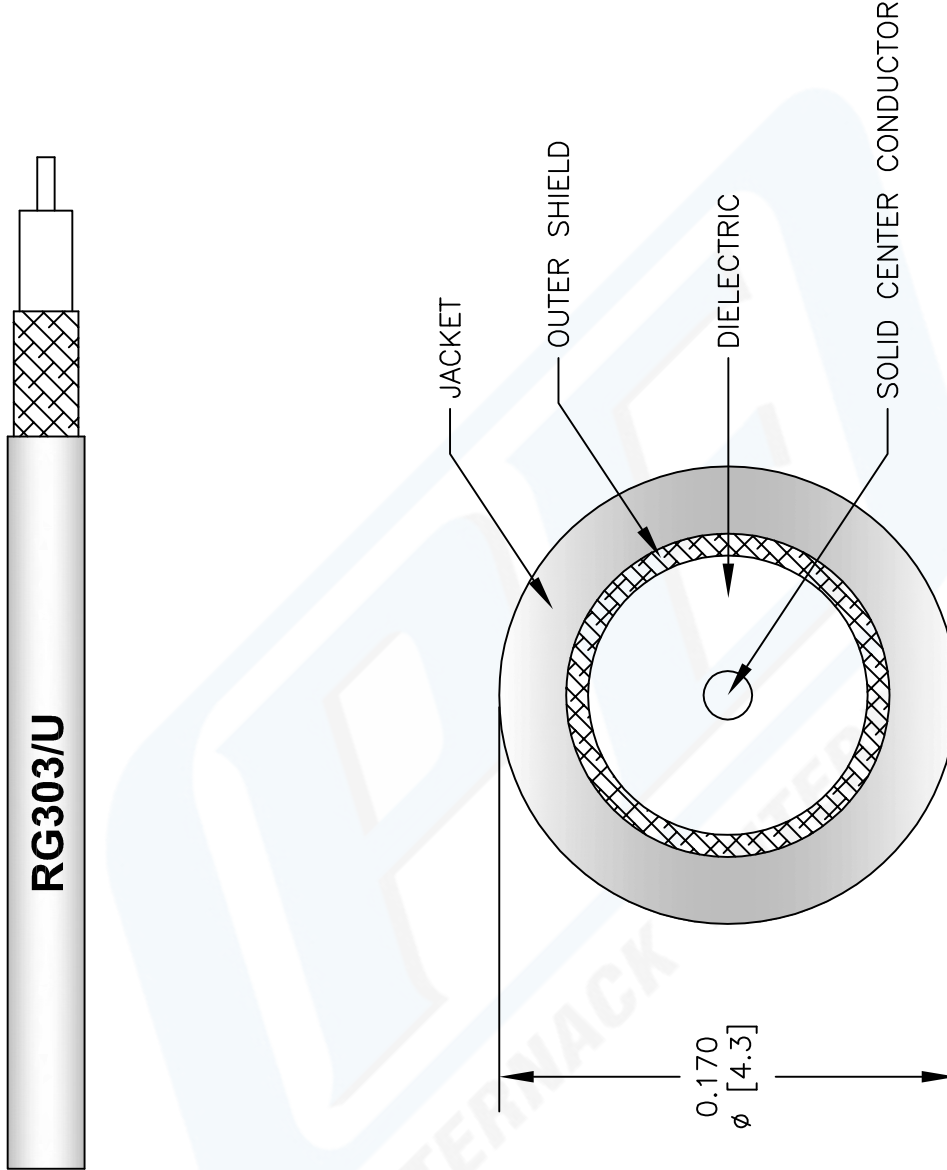
Click the following link (or enter part number in "SEARCH" on website) to obtain additional part information including price, inventory and certifications: [Flexible RG303 Coax Cable Single Shielded with Tan FEP Jacket RG303/U](#)

URL: <http://www.pasternack.com/flexible-0.170-rg303-50-ohm-coax-cable-fep-jacket-rg303-u-p.aspx>

The information contained in this document is accurate to the best of our knowledge and representative of the part described herein. It may be necessary to make modifications to the part and/or the documentation of the part, in order to implement improvements. Pasternack reserves the right to make such changes as required. Unless otherwise stated, all specifications are nominal.

RG303/U CAD Drawing

Flexible RG303 Coax Cable Single Shielded with Tan FEP Jacket



NOTES:
 1. UNLESS OTHERWISE SPECIFIED ALL DIMENSIONS ARE NOMINAL.
 2. ALL SPECIFICATIONS ARE SUBJECT TO CHANGE WITHOUT NOTICE AT ANY TIME.
 3. DIMENSIONS ARE IN INCHES (mm).

DWG TITLE
RG303/U

REV. A FSCM NO. 53919
 CAD FILE 022908-A SCALE N/A SIZE A 147

PE PASTERNAK®
 Pasternack Enterprises, Inc.
 P.O. Box 16759 | Irvine | CA | 92623
 Phone: (949) 261-1920 | Fax: (949) 261-7451
 Website: www.pasternack.com | E-Mail: sales@pasternack.com