



75 Ohm F Male Connector Crimp/Solder Attachment for RG6-CATV

RF Connectors Technical Data Sheet

PE44452

Configuration

- F Male Connector
- MIL-STD-348A
- 75 Ohms
- Straight Body Geometry
- RG6-CATV Interface Type
- Crimp/Solder Attachment
- 7/16 inch Hex

Features

- Silver Plated Brass Contact
- 70 µin minimum contact plating

Applications

- General Purpose Test
- Custom Cable Assemblies
- CATV

Description

Pasternack's PE44452 75 ohm type F male connector with crimp/solder attachment for RG6-CATV is part of our full line of RF components available for same-day shipping.

Our 75 ohm type F male connector PE44452 datasheet specifications and drawing with dimensions are shown below in this PDF. Pasternack's broad catalog of RF, microwave and millimeter wave connectors allows designers to configure and customize their signal connections however they like. Whether the need is to provide an I/O for a board design, or simply create a custom cable assembly configuration, Pasternack has the right connector for the job. Pasternack can also expertly build your custom cable assemblies for you and ship same-day.

Mechanical Specifications

Size

Length	0.768 in [19.51 mm]
Width/Dia.	0.438 in [11.13 mm]
Weight	0.018 lbs [8.16 g]
Mating Torque	12 to 15 in-lbs [1.36 to 1.70 Nm]

Material Specifications

Description	Material	Plating
Contact	Brass	Silver 70 µin minimum
Body	Brass	Nickel 100 µin minimum
Coupling Nut	Brass	Nickel 100 µin minimum

Click the following link (or enter part number in "SEARCH" on website) to obtain additional part information including price, inventory and certifications: [75 Ohm F Male Connector Crimp/Solder Attachment for RG6-CATV PE44452](#)



75 Ohm F Male Connector Crimp/Solder Attachment for RG6-CATV

RF Connectors Technical Data Sheet

PE44452

Compliance Certifications (see [product page](#) for current document)

Plotted and Other Data

Notes:

75 Ohm F Male Connector Crimp/Solder Attachment for RG6-CATV from Pasternack Enterprises has same day shipment for domestic and International orders. Our RF, microwave and millimeter wave products maintain a 99% availability and are part of the broadest selection in the industry.

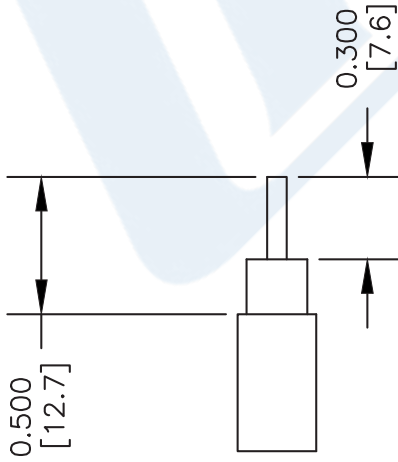
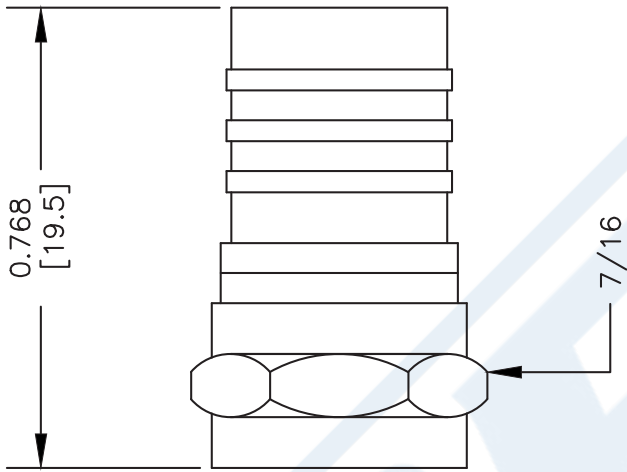
Click the following link (or enter part number in "SEARCH" on website) to obtain additional part information including price, inventory and certifications: [75 Ohm F Male Connector Crimp/Solder Attachment for RG6-CATV PE44452](#)

URL: <https://www.pasternack.com/f-male-standard-rg6-catv-connector-pe44452-p.aspx>

The information contained in this document is accurate to the best of our knowledge and representative of the part described herein. It may be necessary to make modifications to the part and/or the documentation of the part, in order to implement improvements. Pasternack reserves the right to make such changes as required. Unless otherwise stated, all specifications are nominal. Pasternack does not make any representation or warranty regarding the suitability of the part described herein for any particular purpose, and Pasternack does not assume any liability arising out of the use of any part or documentation.

PE44452 CAD Drawing

75 Ohm F Male Connector Crimp/Solder Attachment for RG6-CATV



STRIPPING DIMENSIONS

ASSEMBLY PROCEDURES

STRIP CABLE AS SHOWN, PUSH CABLE INTO CONNECTOR UNTIL DIELECTRIC IS FLUSH WITH BODY SHOULDER. THEN CRIMP.

CRIMP SIZE REQUIRED

FERRULE: .314" HEX CRIMP TOOL



PASTERNAK®

Pasternack Enterprises, Inc.
P.O. Box 16759 | Irvine | CA | 92623

Phone: (949) 261-1920 | Fax: (949) 261-7451

Website: www.pasternack.com | E-Mail: sales@pasternack.com

DWG TITLE

PE44452

NOTES:
1. UNLESS OTHERWISE SPECIFIED ALL DIMENSIONS ARE NOMINAL.
2. ALL SPECIFICATIONS ARE SUBJECT TO CHANGE WITHOUT NOTICE AT ANY TIME.
3. DIMENSIONS ARE IN INCHES [mm].
4. FITS MIL-C-17 AND EQUIVALENT CABLES.

FSCM NO. 53919

CAD FILE 062206

SCALE N/A

SIZE A

127



75 Ohm F Male Connector Crimp/Solder Attachment for RG6-CATV

RF Connectors Technical Data Sheet

PE44452

Configuration

- F Male Connector
- MIL-STD-348A
- 75 Ohms
- Straight Body Geometry
- RG6-CATV Interface Type
- Crimp/Solder Attachment
- 7/16 inch Hex

Features

- Silver Plated Brass Contact
- 70 µin minimum contact plating

Applications

- General Purpose Test
- Custom Cable Assemblies
- CATV

Description

Pasternack's PE44452 75 ohm type F male connector with crimp/solder attachment for RG6-CATV is part of our full line of RF components available for same-day shipping.

Our 75 ohm type F male connector PE44452 datasheet specifications and drawing with dimensions are shown below in this PDF. Pasternack's broad catalog of RF, microwave and millimeter wave connectors allows designers to configure and customize their signal connections however they like. Whether the need is to provide an I/O for a board design, or simply create a custom cable assembly configuration, Pasternack has the right connector for the job. Pasternack can also expertly build your custom cable assemblies for you and ship same-day.

Mechanical Specifications

Size

Length	0.768 in [19.51 mm]
Width/Dia.	0.438 in [11.13 mm]
Weight	0.018 lbs [8.16 g]
Mating Torque	12 to 15 in-lbs [1.36 to 1.70 Nm]

Material Specifications

Description	Material	Plating
Contact	Brass	Silver 70 µin minimum
Body	Brass	Nickel 100 µin minimum
Coupling Nut	Brass	Nickel 100 µin minimum

Click the following link (or enter part number in "SEARCH" on website) to obtain additional part information including price, inventory and certifications: [75 Ohm F Male Connector Crimp/Solder Attachment for RG6-CATV PE44452](#)



75 Ohm F Male Connector Crimp/Solder
Attachment for RG6-CATV

RF Connectors Technical Data Sheet

PE44452

Compliance Certifications (see [product page](#) for current document)

Plotted and Other Data

Notes:

75 Ohm F Male Connector Crimp/Solder Attachment for RG6-CATV from Pasternack Enterprises has same day shipment for domestic and International orders. Our RF, microwave and millimeter wave products maintain a 99% availability and are part of the broadest selection in the industry.

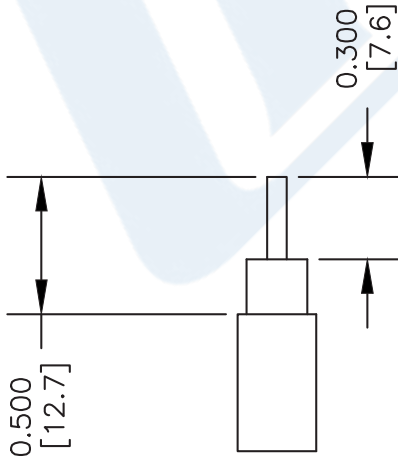
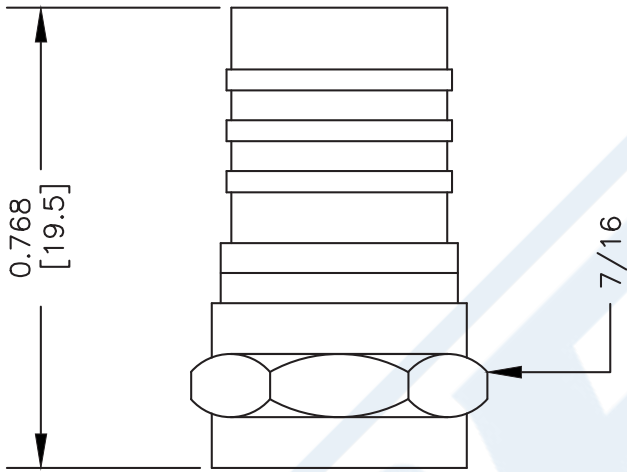
Click the following link (or enter part number in "SEARCH" on website) to obtain additional part information including price, inventory and certifications: [75 Ohm F Male Connector Crimp/Solder Attachment for RG6-CATV PE44452](#)

URL: <https://www.pasternack.com/f-male-standard-rg6-catv-connector-pe44452-p.aspx>

The information contained in this document is accurate to the best of our knowledge and representative of the part described herein. It may be necessary to make modifications to the part and/or the documentation of the part, in order to implement improvements. Pasternack reserves the right to make such changes as required. Unless otherwise stated, all specifications are nominal. Pasternack does not make any representation or warranty regarding the suitability of the part described herein for any particular purpose, and Pasternack does not assume any liability arising out of the use of any part or documentation.

PE44452 CAD Drawing

75 Ohm F Male Connector Crimp/Solder Attachment for RG6-CATV



STRIPPING DIMENSIONS

ASSEMBLY PROCEDURES

STRIP CABLE AS SHOWN, PUSH CABLE INTO CONNECTOR UNTIL DIELECTRIC IS FLUSH WITH BODY SHOULDER. THEN CRIMP.

CRIMP SIZE REQUIRED

FERRULE: .314" HEX CRIMP TOOL

NOTES:
 1. UNLESS OTHERWISE SPECIFIED ALL DIMENSIONS ARE NOMINAL.
 2. ALL SPECIFICATIONS ARE SUBJECT TO CHANGE WITHOUT NOTICE AT ANY TIME.
 3. DIMENSIONS ARE IN INCHES [mm].
 4. FITS MIL-C-17 AND EQUIVALENT CABLES.

DWG TITLE
PE44452

FSCM NO. 53919

CAD FILE 062206

SCALE N/A

SIZE A

127



PASTERNAK®
 Pasternack Enterprises, Inc.
 P.O. Box 16759 | Irvine | CA | 92623
 Phone: (949) 261-1920 | Fax: (949) 261-7451
 Website: www.pasternack.com | E-Mail: sales@pasternack.com



75 Ohm Flexible RG6-CATV Coax Cable Triple Shielded with Black PVC (NC) Jacket

TECHNICAL DATA SHEET

RG6-CATV

75 Ohm Flexible RG6-CATV Coax Cable Triple Shielded with Black PVC (NC) Jacket

Configuration

Inner Conductor Material and Plating	Copper
Dielectric Type	PE (F)
Shield Materials	Aluminum Foil, Aluminum Braid
Jacket Material and Color	PVC (NC), Black

Electrical Specifications

Impedance, Ohms	75
Velocity of Propagation, %	85
Maximum Operating Frequency, GHz	3
RF Shielding, dB	70
Capacitance, pF/ft [pF/m]	16.2 [53.15]

Electrical Specifications by Frequency

Frequency 1

Frequency, MHz	5
Attenuation, dB/100ft [dB/100m]	0.58 [1.9]

Frequency 2

Frequency, MHz	250
Attenuation, dB/100ft [dB/100m]	3.3 [10.83]

Frequency 3

Frequency, MHz	550
Attenuation, dB/100ft [dB/100m]	4.9 [16.08]

Frequency 4

Frequency, MHz	1000
Attenuation, dB/100ft [dB/100m]	6.55 [21.49]

Frequency 5

Frequency, GHz	1.45
Attenuation, dB/100ft [dB/100m]	7.9 [25.92]

Frequency 6

Frequency, GHz	1.75
Attenuation, dB/100ft [dB/100m]	8.75 [28.71]

Frequency 7

Frequency, GHz	2.15
----------------	------

Click the following link (or enter part number in "SEARCH" on website) to obtain additional part information including price, inventory and certifications: [75 Ohm Flexible RG6-CATV Coax Cable Triple Shielded with Black PVC \(NC\) Jacket RG6-CATV](#)

The information contained in this document is accurate to the best of our knowledge and representative of the part described herein. It may be necessary to make modifications to the part and/or the documentation of the part, in order to implement improvements. Pasternack reserves the right to make such changes as required. Unless otherwise stated, all specifications are nominal.



75 Ohm Flexible RG6-CATV Coax Cable Triple Shielded with Black PVC (NC) Jacket

TECHNICAL DATA SHEET

RG6-CATV

Mechanical Specifications

Temperature

Operating Range, deg C -40 to +80

Inner Conductor

Number of Strands 1
 Material Copper
 Diameter, in [mm] 0.04 [1.02]

Dielectric:

Type PE (F)
 Diameter, in [mm] 0.18 [4.57]

Shield:

Number of 3
 Material 1 Aluminum Foil
 Material 2 Aluminum Braid
 Material 3 Aluminum Foil
 Diameter, in [mm] 0.22 [5.59]

Jacket:

Material PVC (NC)
 Diameter, in [mm] 0.275 [6.99]
 Color Black
 One Time Minimum Bend Radius, in [mm] 1.37 [34.8]
 Weight, lbs/ft [Kg/m] 0.033 [0.05]

Compliance Certifications (visit www.Pasternack.com for current document)

RoHS Compliant Yes

Plotted and Other Data

Notes: Values at 25 °C, sea level

75 Ohm Flexible RG6-CATV Coax Cable Triple Shielded with Black PVC (NC) Jacket from Pasternack Enterprises has same day shipment for domestic and International orders. Our RF, microwave and fiber optic products maintain a 99% availability and are part of the broadest selection in the industry.

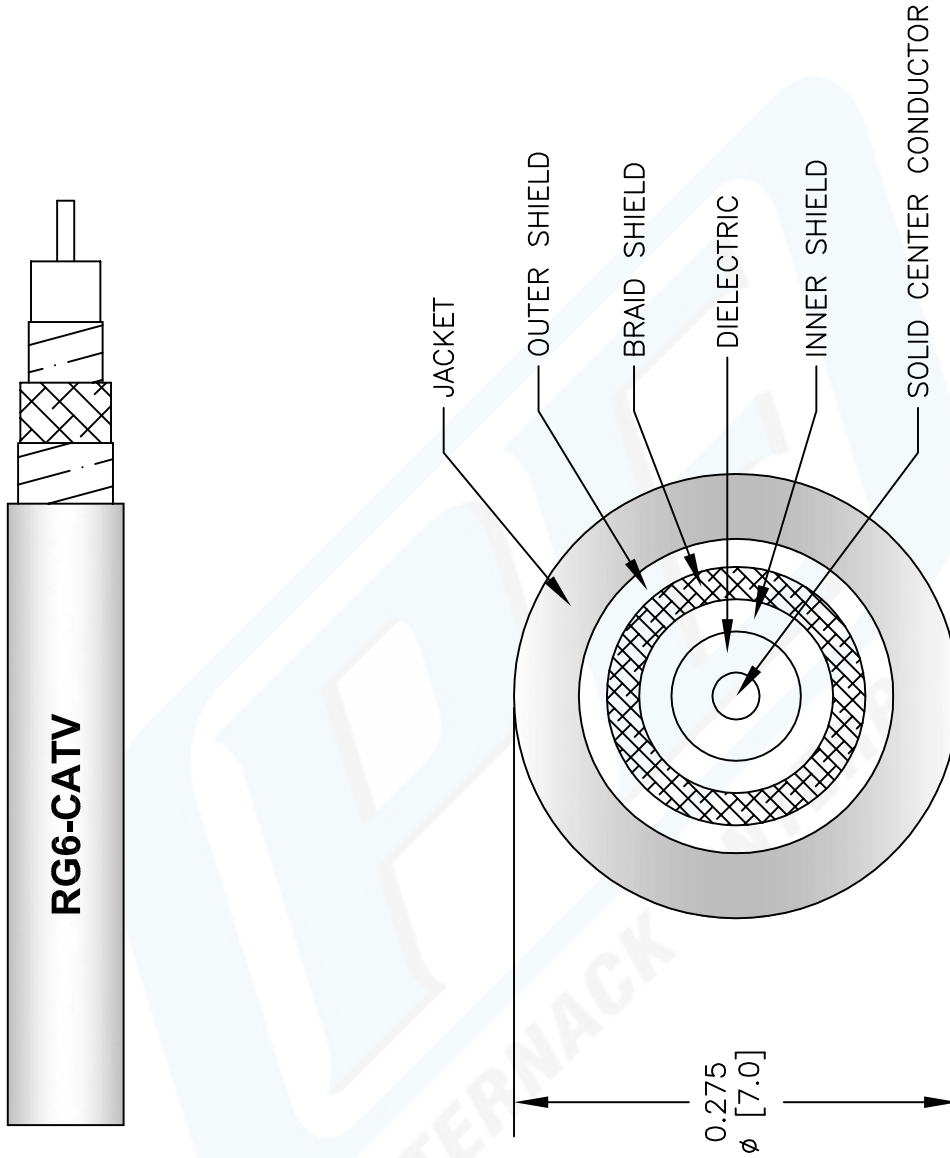
Click the following link (or enter part number in "SEARCH" on website) to obtain additional part information including price, inventory and certifications: [75 Ohm Flexible RG6-CATV Coax Cable Triple Shielded with Black PVC \(NC\) Jacket RG6-CATV](#)

URL: <http://www.pasternack.com/flexible-0.275-rg6-catv-75-ohm-coax-cable-pvc-jacket-rg6-catv-p.aspx>

The information contained in this document is accurate to the best of our knowledge and representative of the part described herein. It may be necessary to make modifications to the part and/or the documentation of the part, in order to implement improvements. Pasternack reserves the right to make such changes as required. Unless otherwise stated, all specifications are nominal.

RG6-CATV CAD Drawing

75 Ohm Flexible RG6-CATV Coax Cable Triple Shielded with Black PVC (NC) Jacket



NOTES:
 1. UNLESS OTHERWISE SPECIFIED ALL DIMENSIONS ARE NOMINAL.
 2. ALL SPECIFICATIONS ARE SUBJECT TO CHANGE WITHOUT NOTICE AT ANY TIME.
 3. DIMENSIONS ARE IN INCHES [mm].

DWG TITLE
RG6-CATV

REV. B FSCM NO. 53919

CAD FILE 021411-B SCALE N/A SIZE A 147

PE PASTERNAK®
 Pasternack Enterprises, Inc.
 P.O. Box 16759 | Irvine | CA | 92623
 Phone: (949) 261-1920 | Fax: (949) 261-7451
 Website: www.pasternack.com | E-Mail: sales@pasternack.com