



75 Ohm F Male Right Angle Connector Compression Attachment for PE-B159, 1855A, Mini 59

RF Connectors Technical Data Sheet

PE44579

Configuration

- F Male Connector
- 75 Ohms
- Right Angle Body Geometry
- PE-B159, 1855A, Mini 59 Interface Type
- Compression Attachment
- 7/16 inch Hex

Features

- Gold Plated Brass Contact

Applications

- General Purpose Test
- Custom Cable Assemblies
- CATV

Description

Pasternack's PE44579 75 ohm type F male right angle connector with compression attachment for PE-B159, 1855A and Mini 59 is part of our full line of RF components available for same-day shipping. Its right angle body geometry allows for easier connections in tight spaces.

Our 75 ohm type F male right angle connector PE44579 datasheet specifications and drawing with dimensions are shown below in this PDF. Pasternack's broad catalog of RF, microwave and millimeter wave connectors allows designers to configure and customize their signal connections however they like. Whether the need is to provide an I/O for a board design, or simply create a custom cable assembly configuration, Pasternack has the right connector for the job. Pasternack can also expertly build your custom cable assemblies for you and ship same-day.

Mechanical Specifications

Size

Length	1.36 in [34.54 mm]
Width/Dia.	0.438 in [11.13 mm]
Height	1 in [25.4 mm]
Weight	0.055 lbs [24.95 g]
Mating Torque	12 to 15 in-lbs [1.36 to 1.70 Nm]

Material Specifications

Description	Material	Plating
Contact	Brass	Gold
Insulation	HDPE	
Body	Brass	Nickel
Coupling Nut	Brass	Nickel

Click the following link (or enter part number in "SEARCH" on website) to obtain additional part information including price, inventory and certifications: [75 Ohm F Male Right Angle Connector Compression Attachment for PE-B159, 1855A, Mini 59 PE44579](#)



75 Ohm F Male Right Angle Connector Compression
Attachment for PE-B159, 1855A, Mini 59

RF Connectors Technical Data Sheet

PE44579

Compliance Certifications (see [product page](#) for current document)

Plotted and Other Data

Notes:

75 Ohm F Male Right Angle Connector Compression Attachment for PE-B159, 1855A, Mini 59 from Pasternack Enterprises has same day shipment for domestic and International orders. Our RF, microwave and millimeter wave products maintain a 99% availability and are part of the broadest selection in the industry.

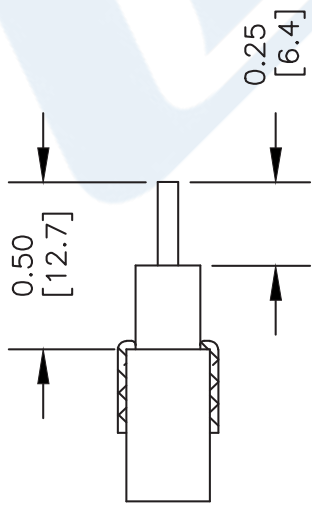
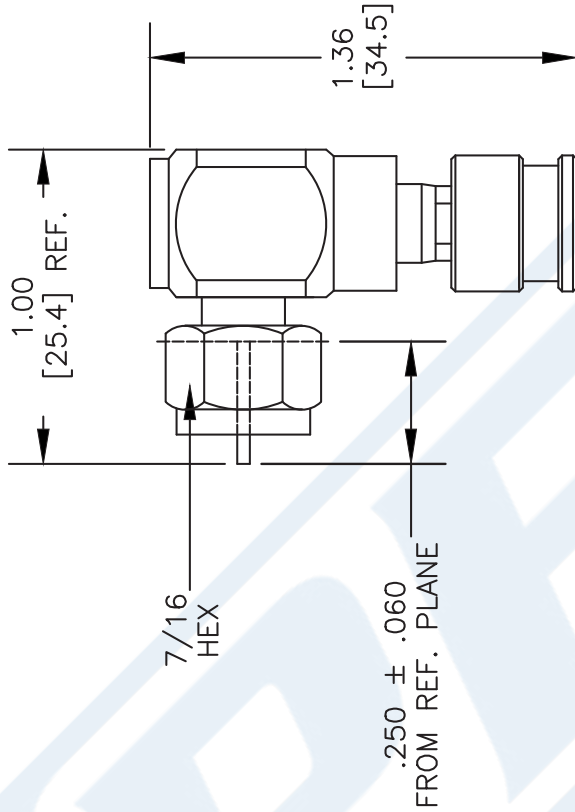
Click the following link (or enter part number in "SEARCH" on website) to obtain additional part information including price, inventory and certifications: [75 Ohm F Male Right Angle Connector Compression Attachment for PE-B159, 1855A, Mini 59 PE44579](#)

URL: <https://www.pasternack.com/f-male-standard-mini-59-connector-pe44579-p.aspx>

The information contained in this document is accurate to the best of our knowledge and representative of the part described herein. It may be necessary to make modifications to the part and/or the documentation of the part, in order to implement improvements. Pasternack reserves the right to make such changes as required. Unless otherwise stated, all specifications are nominal. Pasternack does not make any representation or warranty regarding the suitability of the part described herein for any particular purpose, and Pasternack does not assume any liability arising out of the use of any part or documentation.

PE44579 CAD Drawing

75 Ohm F Male Right Angle Connector Compression
Attachment for PE-B159, 1855A, Mini 59



STRIPPING DIMENSIONS ASSEMBLY PROCEDURES

1. STRIP CABLE AS SHOWN.
2. PUSH BRAID BACK AGAINST CABLE JACKET EVENLY.
3. INSERT CABLE INTO BODY WHILE TWISTING CONNECTOR SLIGHTLY.
4. INSERT ASSEMBLY INTO COMPRESSION TOOL & COMPRESS USING A PE5012.

DWG TITLE

PE44579

- NOTES:
1. UNLESS OTHERWISE SPECIFIED ALL DIMENSIONS ARE NOMINAL.
 2. ALL SPECIFICATIONS ARE SUBJECT TO CHANGE WITHOUT NOTICE AT ANY TIME.
 3. DIMENSIONS ARE IN INCHES [mm].
 4. FITS MIL-C-17 AND EQUIVALENT CABLES.

REV. C

FSCM NO. 53919

CAD FILE 040811

SCALE N/A

SIZE A

127



PASTERNAK®

Pasternack Enterprises, Inc.
P.O. Box 16759 | Irvine | CA | 92623
Phone: (949) 261-1920 | Fax: (949) 261-7451
Website: www.pasternack.com | E-Mail: sales@pasternack.com



75 Ohm F Male Right Angle Connector Compression Attachment for PE-B159, 1855A, Mini 59

RF Connectors Technical Data Sheet

PE44579

Configuration

- F Male Connector
- 75 Ohms
- Right Angle Body Geometry
- PE-B159, 1855A, Mini 59 Interface Type
- Compression Attachment
- 7/16 inch Hex

Features

- Gold Plated Brass Contact

Applications

- General Purpose Test
- Custom Cable Assemblies
- CATV

Description

Pasternack's PE44579 75 ohm type F male right angle connector with compression attachment for PE-B159, 1855A and Mini 59 is part of our full line of RF components available for same-day shipping. Its right angle body geometry allows for easier connections in tight spaces.

Our 75 ohm type F male right angle connector PE44579 datasheet specifications and drawing with dimensions are shown below in this PDF. Pasternack's broad catalog of RF, microwave and millimeter wave connectors allows designers to configure and customize their signal connections however they like. Whether the need is to provide an I/O for a board design, or simply create a custom cable assembly configuration, Pasternack has the right connector for the job. Pasternack can also expertly build your custom cable assemblies for you and ship same-day.

Mechanical Specifications

Size

Length	1.36 in [34.54 mm]
Width/Dia.	0.438 in [11.13 mm]
Height	1 in [25.4 mm]
Weight	0.055 lbs [24.95 g]
Mating Torque	12 to 15 in-lbs [1.36 to 1.70 Nm]

Material Specifications

Description	Material	Plating
Contact	Brass	Gold
Insulation	HDPE	
Body	Brass	Nickel
Coupling Nut	Brass	Nickel

Click the following link (or enter part number in "SEARCH" on website) to obtain additional part information including price, inventory and certifications: [75 Ohm F Male Right Angle Connector Compression Attachment for PE-B159, 1855A, Mini 59 PE44579](#)



75 Ohm F Male Right Angle Connector Compression
Attachment for PE-B159, 1855A, Mini 59

RF Connectors Technical Data Sheet

PE44579

Compliance Certifications (see [product page](#) for current document)

Plotted and Other Data

Notes:

75 Ohm F Male Right Angle Connector Compression Attachment for PE-B159, 1855A, Mini 59 from Pasternack Enterprises has same day shipment for domestic and International orders. Our RF, microwave and millimeter wave products maintain a 99% availability and are part of the broadest selection in the industry.

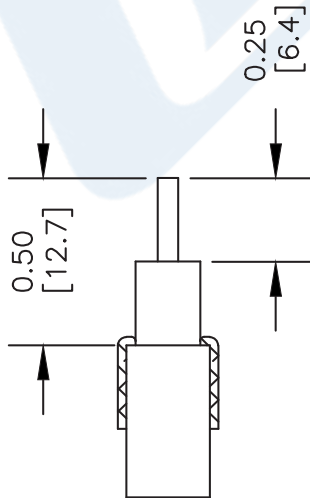
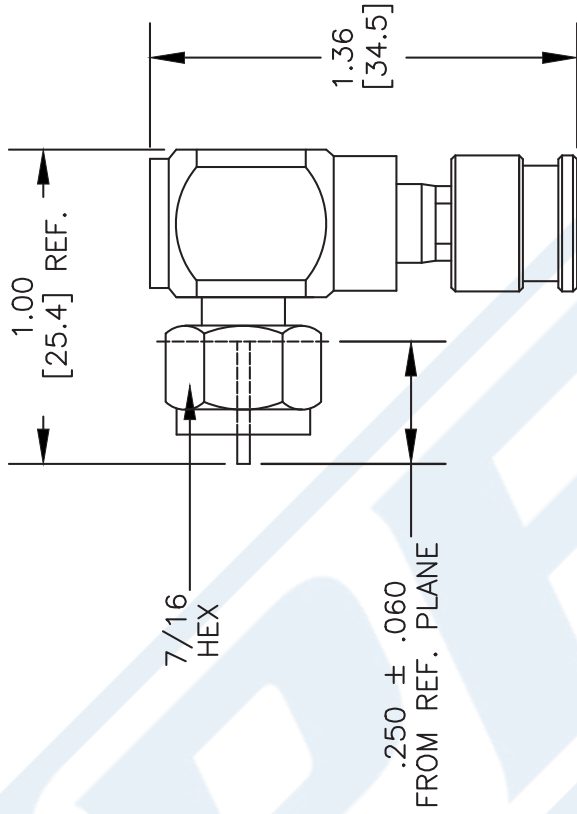
Click the following link (or enter part number in "SEARCH" on website) to obtain additional part information including price, inventory and certifications: [75 Ohm F Male Right Angle Connector Compression Attachment for PE-B159, 1855A, Mini 59 PE44579](#)

URL: <https://www.pasternack.com/f-male-standard-mini-59-connector-pe44579-p.aspx>

The information contained in this document is accurate to the best of our knowledge and representative of the part described herein. It may be necessary to make modifications to the part and/or the documentation of the part, in order to implement improvements. Pasternack reserves the right to make such changes as required. Unless otherwise stated, all specifications are nominal. Pasternack does not make any representation or warranty regarding the suitability of the part described herein for any particular purpose, and Pasternack does not assume any liability arising out of the use of any part or documentation.

PE44579 CAD Drawing

75 Ohm F Male Right Angle Connector Compression
Attachment for PE-B159, 1855A, Mini 59



STRIPPING DIMENSIONS ASSEMBLY PROCEDURES

1. STRIP CABLE AS SHOWN.
2. PUSH BRAID BACK AGAINST CABLE JACKET EVENLY.
3. INSERT CABLE INTO BODY WHILE TWISTING CONNECTOR SLIGHTLY.
4. INSERT ASSEMBLY INTO COMPRESSION TOOL & COMPRESS USING A PE5012.

DWG TITLE

PE44579

- NOTES:
1. UNLESS OTHERWISE SPECIFIED ALL DIMENSIONS ARE NOMINAL.
 2. ALL SPECIFICATIONS ARE SUBJECT TO CHANGE WITHOUT NOTICE AT ANY TIME.
 3. DIMENSIONS ARE IN INCHES [mm].
 4. FITS MIL-C-17 AND EQUIVALENT CABLES.

REV. C

FSCM NO. 53919

CAD FILE 040811

SCALE N/A

SIZE A

127



PASTERNAK®
Pasternack Enterprises, Inc.
P.O. Box 16759 | Irvine | CA | 92623
Phone: (949) 261-1920 | Fax: (949) 261-7451
Website: www.pasternack.com | E-Mail: sales@pasternack.com



75 Ohm Flexible PE-B159-BK Coax Cable Double Shielded with Black PVC Jacket

RF Cables Technical Data Sheet

PE-B159-BK

Configuration

Flexible Cable
2 Number of Shields

Electrical Specifications

Description	Minimum	Typical	Maximum	Units
Frequency Range	DC		3	GHz
Impedance		75		Ohms
Velocity of Propagation		83		%
Operating Voltage (AC)			300	Vrms
Nominal Capacitance		16.5 [54.13]		pF/ft [pF/m]

Performance by Frequency Band

Description	F1	F2	F3	F4	F5	Units
Frequency	0.5	0.75	1	2	3	GHz
Attenuation, Typ	7.5	9.59	10.5	15.1	18.5	dB/100ft
	24.61	31.46	34.45	49.54	60.7	dB/100m

Mechanical Specifications

Diameter	0.159 in [4.04 mm]
Weight	0.017 lbs/ft [0.03 Kg/m]
Min. Bend Radius (Installation)	1.5 in [38.1 mm]

Construction Specifications

Description	Material and Plating	Diameter
Inner Conductor	Copper, 1 Strands	0.023in [0.58 mm]
Dielectric	PE (F)	0.102 in [2.59 mm]
First Shield	Aluminum Tape	
Second Shield	Tinned Copper Braid	

Click the following link (or enter part number in "SEARCH" on website) to obtain additional part information including price, inventory and certifications: [75 Ohm Flexible PE-B159-BK Coax Cable Double Shielded with Black PVC Jacket PE-B159-BK](#)



75 Ohm Flexible PE-B159-BK Coax Cable Double Shielded with Black PVC Jacket

RF Cables Technical Data Sheet

PE-B159-BK

Jacket	PVC, Black	0.159 in [4.04 mm]
--------	------------	--------------------

Environmental Specifications

Temperature

Operating Range -30 to 75 deg C

Compliance Certifications (visit www.Pasternack.com for current document)

RoHS Compliant

REACH Compliant

12/19/2011

Plotted and Other Data

Notes:

75 Ohm Flexible PE-B159-BK Coax Cable Double Shielded with Black PVC Jacket from Pasternack Enterprises has same day shipment for domestic and International orders. Our RF, microwave and millimeter wave products maintain a 99% availability and are part of the broadest selection in the industry.

Click the following link (or enter part number in "SEARCH" on website) to obtain additional part information including price, inventory and certifications: [75 Ohm Flexible PE-B159-BK Coax Cable Double Shielded with Black PVC Jacket PE-B159-BK](#)

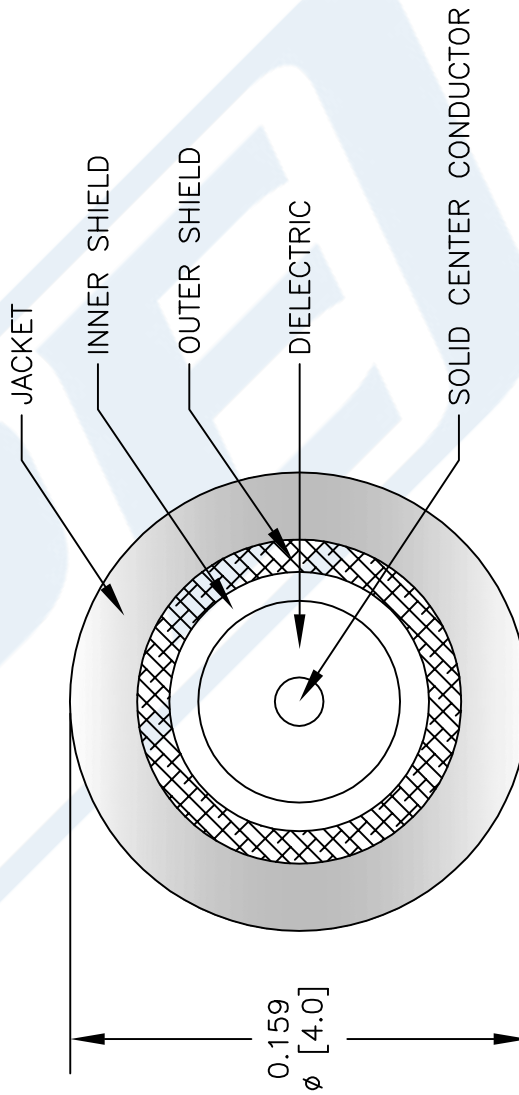
URL: <http://www.pasternack.com/75-ohm-flexible-pe-b159-bk-pvc-jacket-aluminum-tape-over-tinned-copper-braid-outer-conductor-double-shielded-black-pe-b159-bk-p.aspx>

The information contained in this document is accurate to the best of our knowledge and representative of the part described herein. It may be necessary to make modifications to the part and/or the documentation of the part, in order to implement improvements. Pasternack reserves the right to make such changes as required. Unless otherwise stated, all specifications are nominal. Pasternack does not make any representation or warranty regarding the suitability of the part described herein for any particular purpose, and Pasternack does not assume any liability arising out of the use of any part or documentation.

PE-B159-BK CAD Drawing

75 Ohm Flexible PE-B159-BK Coax Cable Double Shielded with Black PVC Jacket

Part Number Designator	
PE-B159-ZZ	
REPLACE ZZ WITH JACKET COLOR	
BK	BLACK
BL	BLUE
GR	GREEN
RD	RED
WH	WHITE
YW	YELLOW



NOTES:
 1. UNLESS OTHERWISE SPECIFIED ALL DIMENSIONS ARE NOMINAL.
 2. ALL SPECIFICATIONS ARE SUBJECT TO CHANGE WITHOUT NOTICE AT ANY TIME.
 3. DIMENSIONS ARE IN INCHES [mm].

DWG TITLE
PE-B159-ZZ

FSCM NO. 53919

CAD FILE 040113-A

SCALE N/A

SIZE A

127

PE PASTERNAK®
 Pasternack Enterprises, Inc.
 P.O. Box 16759 | Irvine | CA | 92623
 Phone: (949) 261-1920 | Fax: (949) 261-7451
 Website: www.pasternack.com | E-Mail: sales@pasternack.com