



SMA Male Right Angle Low PIM Connector Solder Attachment for SPP-250-LLPL, SPF-250, SPO-250, 1/4" Superflexible, PE-1/4SFHC

RF Connectors Technical Data Sheet



TC-250-SM-RA-LP

Times Microwave Systems Connector Specification

Configuration

- SMA Male Connector
- 50 Ohms
- Right Angle Body Geometry
- Connector Interface Types: SPP-250-LLPL, SPF-250, SPO-250, 1/4" Superflexible, PE-1/4SFHC
- Low PIM Design

Features

- Max. Operating Frequency 6 GHz
- Good VSWR of 1.3:1
- PIM levels lower than -160 dBc
- Silver Plated Brass Contact
- 200 µin contact plating

Applications

- General Purpose Test
- Custom Cable Assemblies
- Distributed Antenna Systems (DAS)
- Wireless Communications
- Low PIM Applications

Description

Times Microwave's TC-250-SM-RA-LP SMA male right angle connector offered by Pasternack with solder/solder attachment for Times' SPP-250-LLPL, SPF-250, SPO-250, 1/4" Superflexible and PE-1/4SFHC is part of our full line of RF components available for same-day shipping. Times Microwave's SMA male connector operates up to a maximum frequency of 6 GHz and offers good VSWR of 1.3:1. The Times SMA male connector also has low passive intermodulation of -160 dBc. Its right angle body geometry allows for easier connections in tight spaces.

Times Microwave's SMA male right angle connector TC-250-SM-RA-LP datasheet specifications and drawing with dimensions are shown below in this PDF. Pasternack's broad catalog of RF, microwave and millimeter wave connectors allows designers to configure and customize their signal connections however they like. Whether the need is to provide an I/O for a board design, or simply create a custom cable assembly configuration, Pasternack has the right connector for the job. Pasternack can also expertly build your custom cable assemblies for you and ship same-day.

Electrical Specifications

Description	Minimum	Typical	Maximum	Units
Frequency Range	DC		6	GHz
VSWR			1.3:1	
Insertion Loss			0.25	dB
Passive Intermodulation			-160	dBc
Dielectric Withstanding Voltage (AC)			4,000	Vrms
Inner Conductor DC Resistance			3	mOhms
Outer Conductor DC Resistance			2.5	mOhms
Insulation Resistance	10,000			MOhms

Click the following link (or enter part number in "SEARCH" on website) to obtain additional part information including price, inventory and certifications: [SMA Male Right Angle Low PIM Connector Solder Attachment for SPP-250-LLPL, SPF-250, SPO-250, 1/4" Superflexible, PE-1/4SFHC TC-250-SM-RA-LP](#)



SMA Male Right Angle Low PIM Connector Solder Attachment for SPP-250-LLPL, SPF-250, SPO-250, 1/4" Superflexible, PE-1/4SFHC

RF Connectors Technical Data Sheet



TC-250-SM-RA-LP

Electrical Specification Notes:
Insertion Loss is $-0.1 \cdot \sqrt{F(\text{GHz})}$

Mechanical Specifications

Size	
Length	0.99 in [25.15 mm]
Width/Dia.	0.262 in [6.65 mm]
Height	0.262 in [6.65 mm]
Weight	0.045 lbs [20.41 g]
Mating Cycles	500 Cycles
Mating Torque	0 to 9.73 in-lbs [0.00 to 1.10 Nm]
Cable Retention Force	200 lbs 90.72 kg

Material Specifications

Description	Material	Plating
Contact	Brass	Silver 200 μin
Insulation	PTFE	
Body	Brass	Tri-Metal 100 μin
Coupling Nut	Brass	Tri-Metal 100 μin

Environmental Specifications

Temperature	
Operating Range	-40 to +125 deg C
Shock	MIL-STD 202, Method 213, Condition I
Vibration	MIL-STD 202, Method 204, Condition D
Thermal Shock	MIL-STD 202, Method 107, Condition B

Environmental Specification Notes:
IEC 60068 55/125/21

Compliance Certifications (see [product page](#) for current document)

Plotted and Other Data

Notes:

Click the following link (or enter part number in "SEARCH" on website) to obtain additional part information including price, inventory and certifications: [SMA Male Right Angle Low PIM Connector Solder Attachment for SPP-250-LLPL, SPF-250, SPO-250, 1/4" Superflexible, PE-1/4SFHC TC-250-SM-RA-LP](#)



SMA Male Right Angle Low PIM Connector Solder Attachment for SPP-250-LLPL, SPF-250, SPO-250, 1/4" Superflexible, PE-1/4SFHC

RF Connectors
Technical Data Sheet

SMA Male Right Angle Low PIM Connector Solder Attachment for SPP-250-LLPL, SPF-250, SPO-250, 1/4" Superflexible, PE-1/4SFHC from Pasternack Enterprises has same day shipment for domestic and International orders. Our RF, microwave and millimeter wave products maintain a 99.4% availability and are part of the broadest selection in the industry.

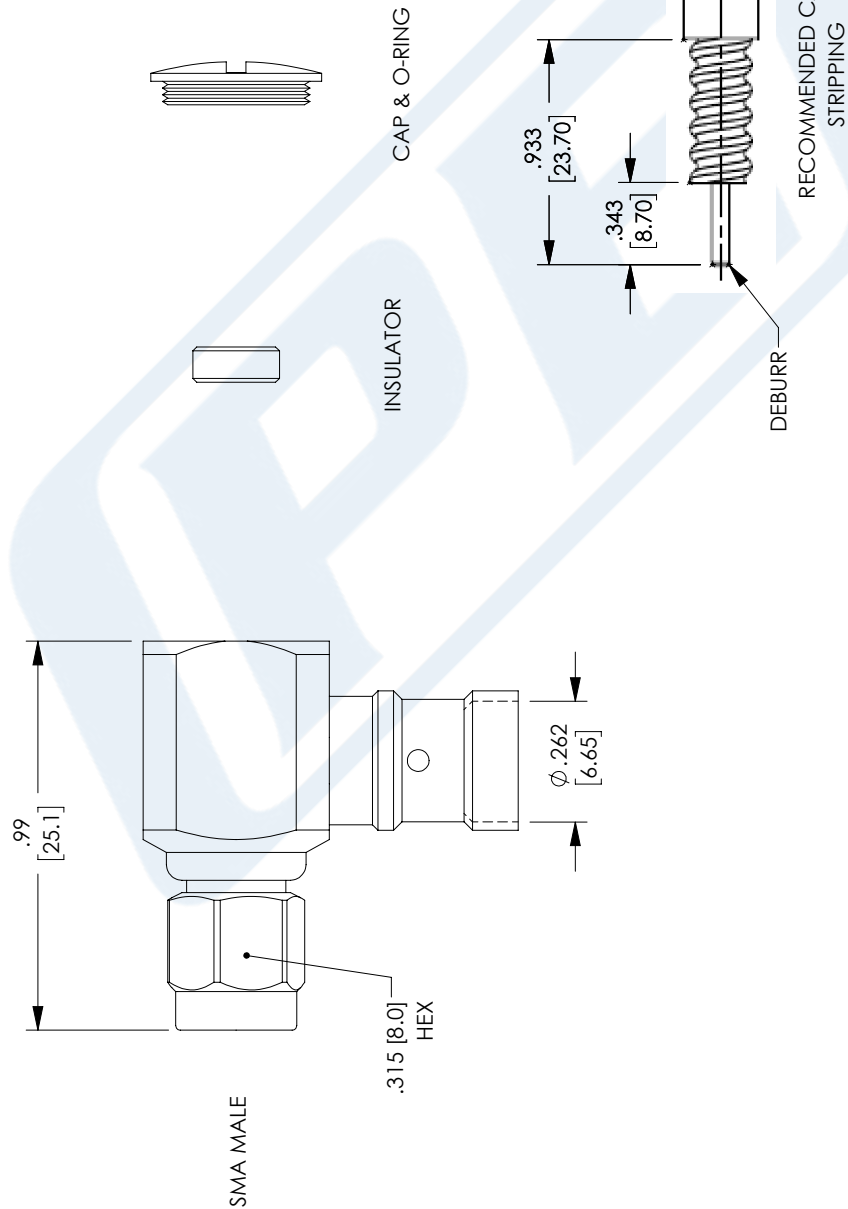
Click the following link (or enter part number in "SEARCH" on website) to obtain additional part information including price, inventory and certifications: [SMA Male Right Angle Low PIM Connector Solder Attachment for SPP-250-LLPL, SPF-250, SPO-250, 1/4" Superflexible, PE-1/4SFHC TC-250-SM-RA-LP](https://www.pasternack.com/sma-male-spp-250-llpl-spf-250-connector-tc-250-sm-ra-lp-p.aspx)

URL: <https://www.pasternack.com/sma-male-spp-250-llpl-spf-250-connector-tc-250-sm-ra-lp-p.aspx>

The information contained in this document is accurate to the best of our knowledge and representative of the part described herein. It may be necessary to make modifications to the part and/or the documentation of the part, in order to implement improvements. Pasternack reserves the right to make such changes as required. Unless otherwise stated, all specifications are nominal. Pasternack does not make any representation or warranty regarding the suitability of the part described herein for any particular purpose, and Pasternack does not assume any liability arising out of the use of any part or documentation.

TIMES MICROWAVE SYSTEMS **TC-250-SM-RA-LP CAD Drawing**
 SMA Male Right Angle Low PIM Connector Solder Attachment for SPP-
 250-LLPL, SPF-250, SPO-250, 1/4" Superflexible, PE-1/4SFHC

REVISIONS			
REV.	DESCRIPTION	DATE	APPROVED
A	INITIAL RELEASE	03/11/2021	SELLIS



PE PASTERNAK
 an INFINITI[®] brand

Pasternack Enterprises, Inc.
 P. O. Box 16759, Irvine, CA 92623.
 Phone: 1.949.261.1920 | 1.866.727.8376
 Fax: 1.949.261.7451
 Website: www.pasternack.com
 E-mail: sales@pasternack.com

UNLESS OTHERWISE SPECIFIED
 LEADING DIMENSIONS ARE INCHES
 DIMENSIONS IN [] ARE MILLIMETERS

TOLERANCES:

.X = ±.2	[.08]	FRACTIONS
.XX = ±.02	[.51]	± 1/32
.XXX = ±.005	[.13]	ANGLES ± 1°

CABLE LENGTH (L) TOLERANCES:

L ≤ 12	[305]	= +1 [25] / -0
12 [305] < L ≤ 60	[1524]	= +2 [51] / -0
60 [1524] < L ≤ 120	[3048]	= +4 [102] / -0
120 [3048] < L ≤ 300	[7620]	= +6 [152] / -0
300 [7620] < L		= +5%L / -0

ALL DIMENSIONS SHOWN
 ARE FOR REFERENCE ONLY.

THIRD-ANGLE PROJECTION

THE INFORMATION AND
 DESIGN IN THIS DOCUMENT
 IS THE PROPERTY OF
 PASTERNAK CORPORATION
 ALL RIGHTS RESERVED.

SHEET 1 OF 1
 SCALE N/A

SIZE [CAGE CODE] DRAWN BY [ITEM NO.]
 A 53919 DFRISIELLO TC-250-SM-RA-LP
 REV A