



WR-62 to WR-51 Waveguide Transition 3 Inch Length, UG-1665/U Square Cover Flange to Square Cover Flange

Waveguide Transitions Technical Data Sheet

PEWTS1007A

Features

- Transitions from WR-62 to WR-51 waveguide
- WR-62 waveguide UG-1665/U flange
- WR-51 waveguide Square Cover flange
- Painted finish

Applications

- Radar Systems
- Military and Space
- Wireless Radio Systems
- Telecom Infrastructure
- Communication Systems
- R&D Labs
- Microwave Radio Systems

Description

The PEWTS1007A is part of Pasternack's Waveguide Transitions (also sometimes called waveguide adapters) used as a means of propagating RF/Microwave energy from one waveguide size to another. The PEWTS1007A allows the waveguide to change from a WR-62 waveguide (using a UG-1665/U flange) to a WR-51 waveguide (using a Square Cover flange).

Electrical Specifications

Description	Minimum	Typical	Maximum	Units
VSWR		1.08:1		

Mechanical Specifications

Size

Length

3 in [76.2 mm]

Weight

0.35 lbs [158.76 g]

Description	Flange 1	Waveguide	Flange 2
Designation	UG-1665/U	WR-62 to WR-51	
Flange Type	Square Cover		Square Cover
Material	Brass	Brass	Brass
Plating	Silver	Silver	Silver

Compliance Certifications (see [product page](#) for current document)

Plotted and Other Data

Notes:

Click the following link (or enter part number in "SEARCH" on website) to obtain additional part information including price, inventory and certifications: [WR-62 to WR-51 Waveguide Transition 3 Inch Length, UG-1665/U Square Cover Flange to Square Cover Flange PEWTS1007A](#)



WR-62 to WR-51 Waveguide Transition 3 Inch Length, UG-1665/U Square Cover Flange to Square Cover Flange

Waveguide Transitions Technical Data Sheet

PEWTS1007A

WR-62 to WR-51 Waveguide Transition 3 Inch Length, UG-1665/U Square Cover Flange to Square Cover Flange from Pasternack Enterprises has same day shipment for domestic and International orders. Our RF, microwave and millimeter wave products maintain a 99.4% availability and are part of the broadest selection in the industry.

Click the following link (or enter part number in "SEARCH" on website) to obtain additional part information including price, inventory and certifications: [WR-62 to WR-51 Waveguide Transition 3 Inch Length, UG-1665/U Square Cover Flange to Square Cover Flange PEWTS1007A](https://www.pasternack.com/wr62-wr51-waveguide-transition-ug1665-square-square-pewts1007a-p.aspx)

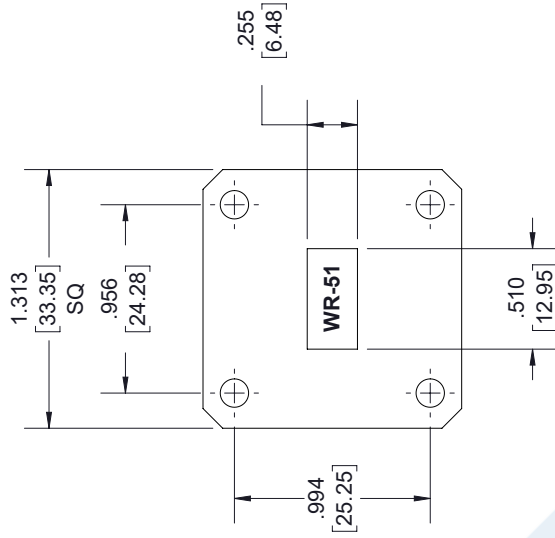
URL: <https://www.pasternack.com/wr62-wr51-waveguide-transition-ug1665-square-square-pewts1007a-p.aspx>

The information contained in this document is accurate to the best of our knowledge and representative of the part described herein. It may be necessary to make modifications to the part and/or the documentation of the part, in order to implement improvements. Pasternack reserves the right to make such changes as required. Unless otherwise stated, all specifications are nominal. Pasternack does not make any representation or warranty regarding the suitability of the part described herein for any particular purpose, and Pasternack does not assume any liability arising out of the use of any part or documentation.

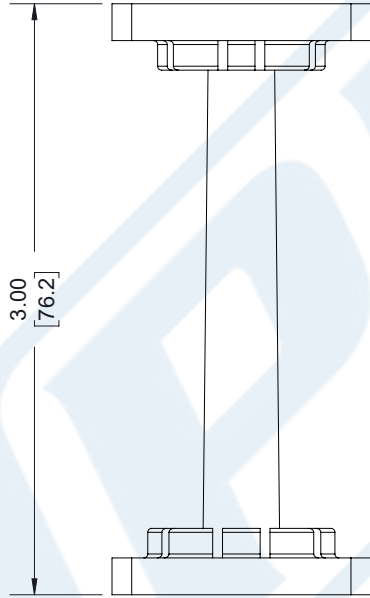
PEWTS1007A CAD Drawing

WR-62 to WR-51 Waveguide Transition 3 Inch Length, UG-1665/U Square Cover Flange to Square Cover Flange

REVISIONS			
REV.	DESCRIPTION	DATE	APPROVED
B	PCR FMWTS1007 PEWTS1007A	4/6/2020	S.PONG

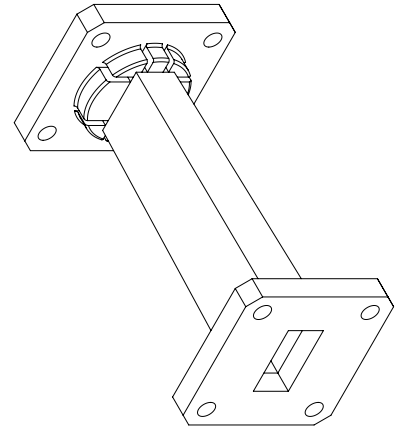


WR-51 WAVEGUIDE
UG-1665/U SQUARE COVER FLANGE



WR-62 WAVEGUIDE
UG-1665/U SQUARE COVER FLANGE

$\phi .144^{+0.003}_{-0.000}$ [3.66^{+0.08}_{0.00}]
THRU HOLES
TYP



UNLESS OTHERWISE SPECIFIED
LEADING DIMENSIONS ARE INCHES
DIMENSIONS IN [] ARE MILLIMETERS

TOLERANCES:

.X = ±.2	[5.08]	FRACTIONS	± 1/32
.XX = ±.02	[.51]	ANGLES ± 1°	
.XXX = ±.005	[.13]	CABLE LENGTH (L) TOLERANCES:	
		L ≤ 12 [305]	= +1 [25] / -0
		12 [305] < L ≤ 60 [1524]	= +2 [51] / -0
		60 [1524] < L ≤ 120 [3048]	= +4 [102] / -0
		120 [3048] < L ≤ 300 [7620]	= +6 [152] / -0
		300 [7620] < L = +5% / L / -0	

ALL DIMENSIONS SHOWN
ARE FOR REFERENCE ONLY.

PE PASTERNAK
an INFINIT brand

Pasternack Enterprises, Inc.
P. O. Box 16759, Irvine, CA 92623.
Phone: 1.949.261.1920 | 1.866.727.8376
Fax: 1.949.261.7451
Website: www.pasternack.com
E-mail: sales@pasternack.com

THIRD-ANGLE PROJECTION

THE INFORMATION AND
DESIGN IN THIS DOCUMENT
IS THE PROPERTY OF
PASTERNAK CORPORATION
ALL RIGHTS RESERVED.

SHEET 1 OF 1
SCALE N/A

SIZE	CAGE CODE	DRAWN BY	ITEM NO.
A	53919	K.DANG	PEWTS1007A
REV	B		

LABEL:
PASTERNAK
PEWTS1007A
D/C: YYWW

THESE COMMODITIES, TECHNOLOGY OR SOFTWARE WERE EXPORTED FROM THE UNITED STATES IN ACCORDANCE WITH THE EXPORT ADMINISTRATION REGULATIONS. DIVERSION CONTRARY TO U.S. LAW PROHIBITED.