



WRD-750 90 Degree Waveguide Twist with a UG Square Cover Flange Operating from 7.5 GHz to 18 GHz in Brass

Waveguide Twists Technical Data Sheet

PEWRD750TW1001

Features

- WRD-750 Double-Ridged Waveguide
- Frequency range from 7.5 to 18 GHz
- UG Style Square Cover Flange
- 1.25 Maximum VSWR
- 90° Twist

Description

The PEWRD750TW1001 is a 90 degree double-ridge waveguide twist that is part of a family of precision manufactured waveguide twists with UG style square cover flanges. The family includes right and left hand 45 degree twists as well as 90 degree twists. These twists are offered in the Ka through W waveguide bands (18 to 110 GHz).

Electrical Specifications

| Description | Minimum | Typical | Maximum | Units |
|-----------------|---------|---------|---------|-------|
| Frequency Range | 7.5 | | 18 | GHz |
| VSWR | | | 1.25:1 | |
| Insertion Loss | | | 0.4 | dB |

Electrical Specification Notes:

VSWR measurement is the representation of the load used for testing

Mechanical Specifications

Waveguide Size WRD-750
Section Length 7.87 in [199.9 mm]

| Description | Flange 1 | Waveguide | Flange 2 |
|-------------|----------|-----------|----------|
| Interface | UG | WRD-750 | UG |
| Material | Brass | Copper | Brass |
| Color | Gray | Gray | Gray |

Compliance Certifications (see [product page](#) for current document)

Notes:

WRD-750 90 Degree Waveguide Twist with a UG Square Cover Flange Operating from 7.5 GHz to 18 GHz in Brass from Pasternack Enterprises has same day shipment for domestic and International orders. Our RF, microwave and millimeter wave products maintain a 99.4% availability and are part of the broadest selection in the industry.

Click the following link (or enter part number in "SEARCH" on website) to obtain additional part information including price, inventory and certifications: [WRD-750 90 Degree Waveguide Twist with a UG Square Cover Flange Operating from 7.5 GHz to 18 GHz in Brass PEWRD750TW1001](#)

Click the following link (or enter part number in "SEARCH" on website) to obtain additional part information including price, inventory and certifications: [WRD-750 90 Degree Waveguide Twist with a UG Square Cover Flange Operating from 7.5 GHz to 18 GHz in Brass PEWRD750TW1001](#)



WRD-750 90 Degree Waveguide Twist with a UG Square
Cover Flange Operating from 7.5 GHz to 18 GHz in Brass

Waveguide Twists Technical Data Sheet

PEWRD750TW1001

URL: <https://www.pasternack.com/wrd-750-90-waveguide-twist-ug385-50-75-ghz-pewrd750tw1001-p.aspx>

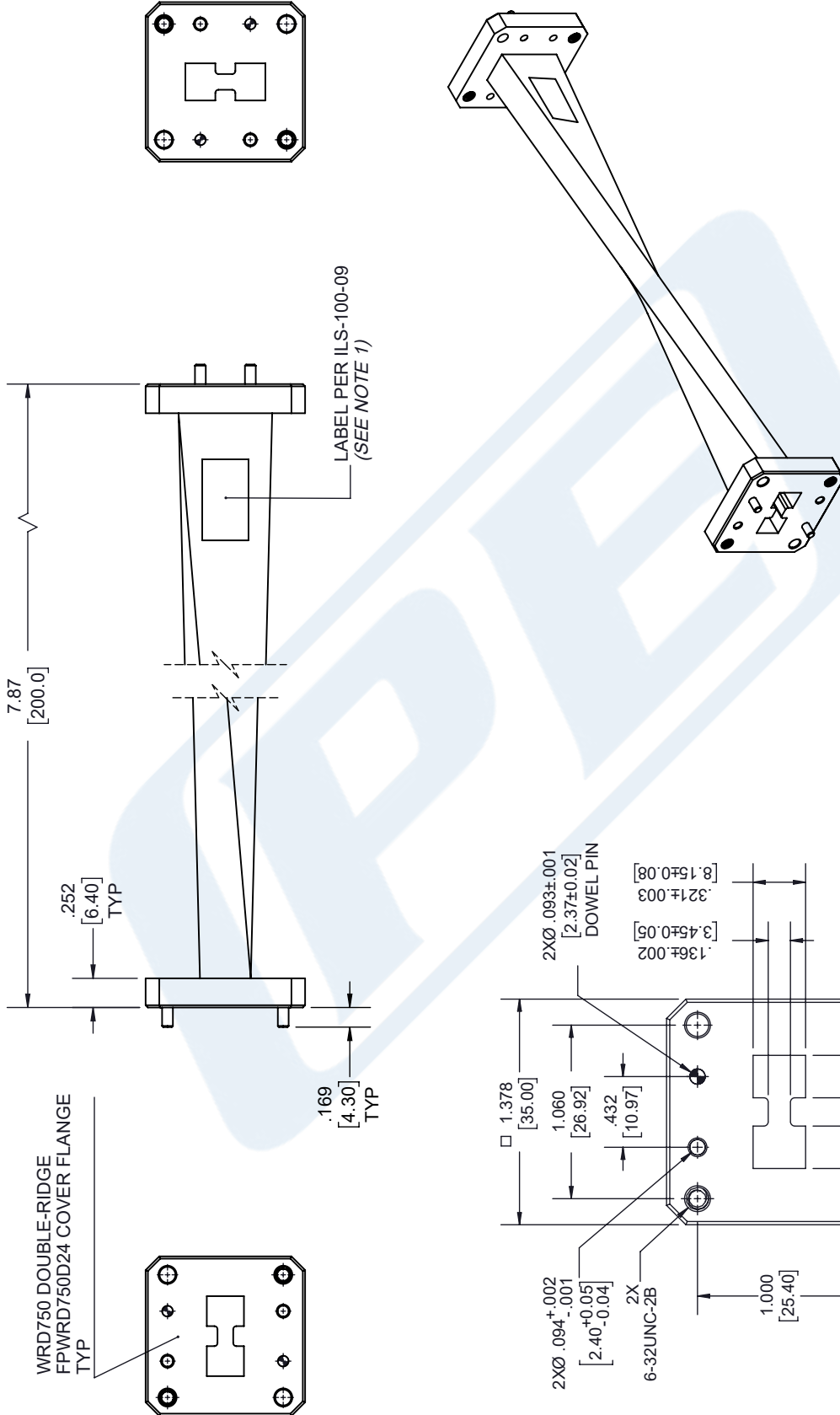
The information contained in this document is accurate to the best of our knowledge and representative of the part described herein. It may be necessary to make modifications to the part and/or the documentation of the part, in order to implement improvements. Pasternack reserves the right to make such changes as required. Unless otherwise stated, all specifications are nominal. Pasternack does not make any representation or warranty regarding the suitability of the part described herein for any particular purpose, and Pasternack does not assume any liability arising out of the use of any part or documentation.



PEWRD750TW1001 CAD Drawing

WRD-750 90 Degree Waveguide Twist with a UG Square Cover
Flange Operating from 7.5 GHz to 18 GHz in Brass

| REVISIONS | | | |
|-----------|-----------------|-----------|----------|
| REV. | DESCRIPTION | DATE | APPROVED |
| A | INITIAL RELEASE | 10/2/2020 | S.PONG |



PE PASTERNAK[®]
an INFINITE[®] brand

Pasternack Enterprises, Inc.
P. O. Box 16759, Irvine, CA 92623.
Phone: 1.949.261.1920 | 1.866.727.8376
Fax: 1.949.261.7451
Website: www.pasternack.com
E-mail: sales@pasternack.com

THIRD-ANGLE PROJECTION
THE INFORMATION AND DESIGN IN THIS DOCUMENT IS THE PROPERTY OF PASTERNAK CORPORATION ALL RIGHTS RESERVED.
SHEET 1 OF 1
SCALE N/A

UNLESS OTHERWISE SPECIFIED LEADING DIMENSIONS ARE INCHES DIMENSIONS IN [] ARE MILLIMETERS
TOLERANCES:
.X = ±.2 [5.08] FRACTIONS
.XX = ±.02 [.51] ±1/32
.XXX = ±.005 [.13] ANGLES ± 1°
CABLE LENGTH (L), TOLERANCES:
L ≤ 12 [305] = +1 [25] / -0
12 [305] < L ≤ 60 [1524] = +2 [51] / -0
60 [1524] < L ≤ 120 [3048] = +4 [102] / -0
120 [3048] < L ≤ 300 [7620] = +6 [152] / -0
300 [7620] < L = +5% / -0
ALL DIMENSIONS SHOWN ARE FOR REFERENCE ONLY.

SIZE [CAGE CODE] DRAWN BY ITEM NO.
A 53919 K.DANG PEWRD750TW1001 REV A

NOTES:
1. LABEL PER ILS-100-09. FOR INTERNAL REFERENCE ONLY.
LABEL LOCATION FOR REFERENCE ONLY.

THESE COMMODITIES, TECHNOLOGY OR SOFTWARE WERE EXPORTED FROM THE UNITED STATES IN ACCORDANCE WITH THE EXPORT ADMINISTRATION REGULATIONS. DIVERSION CONTRARY TO U.S. LAW PROHIBITED.