



## WRD-650 Waveguide E-Bend with UG Square Cover Flange Operating from 6.5 GHz to 18 GHz

### TECHNICAL DATA SHEET

PEWRD650B001

PEWRD650B001 is a WRD-650 double ridge waveguide bend that is a E-Plane Bend type with a UG style square cover flange. Our WRD-650 double ridge waveguide bend has a minimum frequency of 6.5 GHz and a maximum frequency of 18 GHz. WRD-650 waveguide bend PEWRD650B001 is part of over 40,000 RF, microwave and millimeter wave components available from Pasternack. This WRD-650 E-Bend waveguide with UG style flange can ship worldwide the same day as it is purchased as with our other available RF parts.

- WRD-650 Double Ridge waveguide
- E-plane bend
- UG Style Square Cover Flange
- 6.5 GHz to 18 GHz Frequency Range
- Comprehensive waveguide offerings also includes Waveguide Sections, Waveguide to Coax Adapters, Twists, Terminations, and more

#### Electrical Specifications

Description	Minimum	Typical	Maximum	Units
Frequency Range	6.5		18	GHz
VSWR			1.25:1	
Insertion Loss		0.4		dB

#### Mechanical Specifications

Waveguide Size WRD-650

Description	Flange 1	Waveguide	Flange 2
Flange Type	Square Cover		Square Cover
Flange Designation	UG	WRD-650	UG
Material	Brass	Copper	Brass

#### Size

Weight 0.5 lbs [226.8 g]

**Compliance Certifications** (see [product page](#) for current document)

#### Plotted and Other Data

Notes:

Click the following link (or enter part number in "SEARCH" on website) to obtain additional part information including price, inventory and certifications: [WRD-650 Waveguide E-Bend with UG Square Cover Flange Operating from 6.5 GHz to 18 GHz PEWRD650B001](#)



## WRD-650 Waveguide E-Bend with UG Square Cover Flange Operating from 6.5 GHz to 18 GHz

### TECHNICAL DATA SHEET

PEWRD650B001

WRD-650 Waveguide E-Bend with UG Square Cover Flange Operating from 6.5 GHz to 18 GHz from Pasternack Enterprises has same day shipment for domestic and International orders. Our RF, microwave and millimeter wave products maintain a 99.4% availability and are part of the broadest selection in the industry.

Click the following link (or enter part number in "SEARCH" on website) to obtain additional part information including price, inventory and certifications: [WRD-650 Waveguide E-Bend with UG Square Cover Flange Operating from 6.5 GHz to 18 GHz PEWRD650B001](https://www.pasternack.com/wrd-650-waveguide-e-bend-ug-383-flange-33-50-ghz-pewrd650b001-p.aspx)

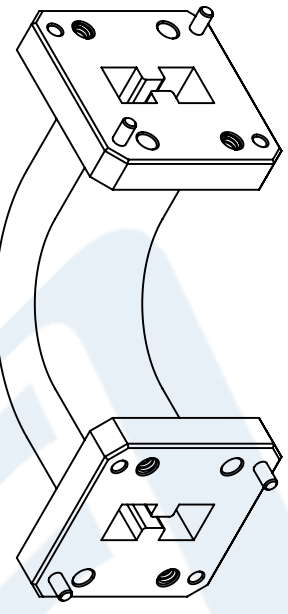
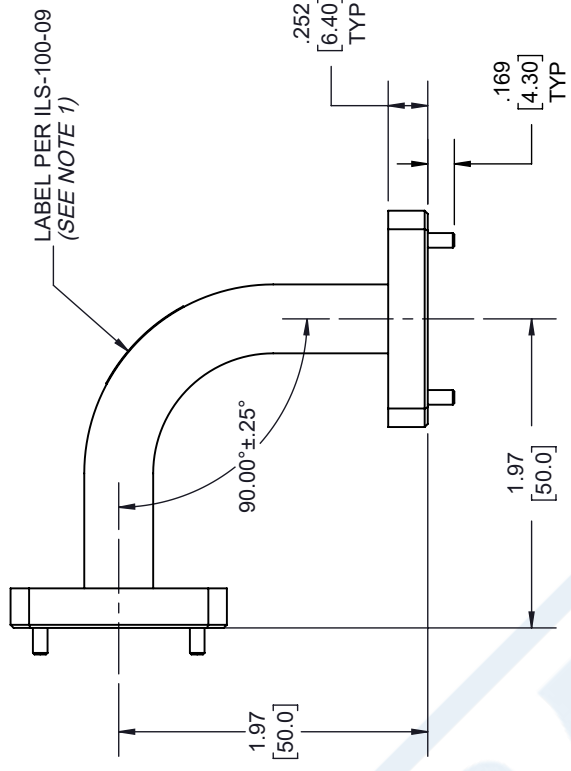
URL: <https://www.pasternack.com/wrd-650-waveguide-e-bend-ug-383-flange-33-50-ghz-pewrd650b001-p.aspx>

The information contained in this document is accurate to the best of our knowledge and representative of the part described herein. It may be necessary to make modifications to the part and/or the documentation of the part, in order to implement improvements. Pasternack reserves the right to make such changes as required. Unless otherwise stated, all specifications are nominal. Pasternack does not make any representation or warranty regarding the suitability of the part described herein for any particular purpose, and Pasternack does not assume any liability arising out of the use of any part or documentation.

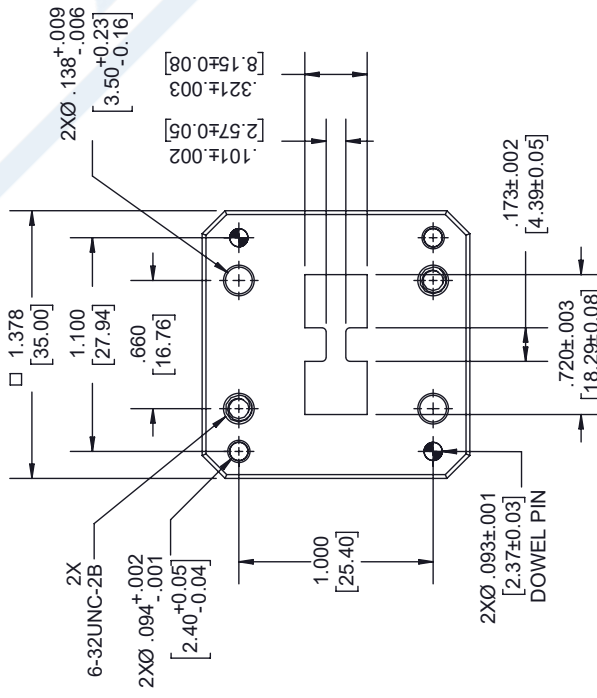
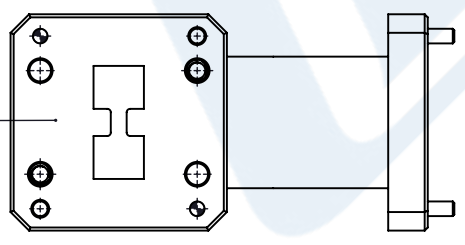
# PEWRD650B001 CAD Drawing

WRD-650 Waveguide E-Bend with UG Square Cover  
Flange Operating from 6.5 GHz to 18 GHz

REVISIONS			
REV.	DESCRIPTION	DATE	APPROVED
A	INITIAL RELEASE	10/2/2020	S.PONG



WRD650 DOUBLE-RIDGE  
FPWRD650D28 COVER FLANGE  
TYP



**FLANGE DETAIL**

**NOTES:**

1. LABEL PER ILS-100-09. FOR INTERNAL REFERENCE ONLY.  
LABEL LOCATION FOR REFERENCE ONLY.

UNLESS OTHERWISE SPECIFIED  
LEADING DIMENSIONS ARE INCHES  
DIMENSIONS IN [ ] ARE MILLIMETERS

TOLERANCES:  
 .X = ± .2 [ .008 ]    FRACTIONS ± 1/32  
 .XX = ± .02 [ .51 ]    ANGLES ± 1°  
 .XXX = ± .005 [ .13 ]

CABLE LENGTH (L) TOLERANCES:  
 L ≤ 12 [305] = +1 [25] / -0  
 12 [305] < L ≤ 60 [1524] = +2 [51] / -0  
 60 [1524] < L ≤ 120 [3048] = +4 [102] / -0  
 120 [3048] < L ≤ 300 [7620] = +6 [152] / -0  
 300 [7620] < L = +5% / -0

ALL DIMENSIONS SHOWN  
ARE FOR REFERENCE ONLY.

THIRD-ANGLE PROJECTION

THE INFORMATION AND  
DESIGN IN THIS DOCUMENT  
IS THE PROPERTY OF  
PASTERNAK CORPORATION  
ALL RIGHTS RESERVED.

SHEET 1 OF 1

SCALE N/A

**PE PASTERNAK**  
an INFINITE brand

Pasternack Enterprises, Inc.  
P.O. Box 16759, Irvine, CA 92623.  
Phone: 1.949.261.1920 | 1.866.727.8376  
Fax: 1.949.261.7451  
Website: www.pasternack.com  
E-mail: sales@pasternack.com

SIZE A    CAGE CODE 53919    DRAWN BY K.DANG    ITEM NO. PEWRD650B001    REV A