



WRD-180 90 Degree Waveguide Twist with a UG Square Cover Flange Operating from 18 GHz to 40 GHz in Brass

Waveguide Twists Technical Data Sheet

PEWRD180TW1001

Features

- WRD-180 Double-Ridged Waveguide
- Frequency range from 18 to 40 GHz
- UG Style Square Cover Flange
- 1.35 Maximum VSWR
- 90° Twist

Description

The PEWRD180TW1001 is a 90 degree double-ridge waveguide twist that is part of a family of precision manufactured waveguide twists with UG style square cover flanges. The family includes right and left hand 45 degree twists as well as 90 degree twists. These twists are offered in the Ka through W waveguide bands (18 to 110 GHz).

Electrical Specifications

Description	Minimum	Typical	Maximum	Units
Frequency Range	18		40	GHz
VSWR			1.35:1	
Insertion Loss			0.5	dB

Electrical Specification Notes:

VSWR measurement is the representation of the load used for testing

Mechanical Specifications

Waveguide Size WRD-180
Section Length 3.14 in [79.76 mm]

Description	Flange 1	Waveguide	Flange 2
Interface	UG	WRD-180	UG
Material	Brass	Copper	Brass
Plating	Gold	Gold	Gold
Color	Gold	Gold	Gold

Compliance Certifications (see [product page](#) for current document)

Notes:

Click the following link (or enter part number in "SEARCH" on website) to obtain additional part information including price, inventory and certifications: [WRD-180 90 Degree Waveguide Twist with a UG Square Cover Flange Operating from 18 GHz to 40 GHz in Brass PEWRD180TW1001](#)



WRD-180 90 Degree Waveguide Twist with a UG Square Cover Flange Operating from 18 GHz to 40 GHz in Brass

Waveguide Twists Technical Data Sheet

PEWRD180TW1001

WRD-180 90 Degree Waveguide Twist with a UG Square Cover Flange Operating from 18 GHz to 40 GHz in Brass from Pasternack Enterprises has same day shipment for domestic and International orders. Our RF, microwave and millimeter wave products maintain a 99.4% availability and are part of the broadest selection in the industry.

Click the following link (or enter part number in "SEARCH" on website) to obtain additional part information including price, inventory and certifications: [WRD-180 90 Degree Waveguide Twist with a UG Square Cover Flange Operating from 18 GHz to 40 GHz in Brass PEWRD180TW1001](https://www.pasternack.com/wrd-180-90-waveguide-twist-ug385-50-75-ghz-pewrd180tw1001-p.aspx)

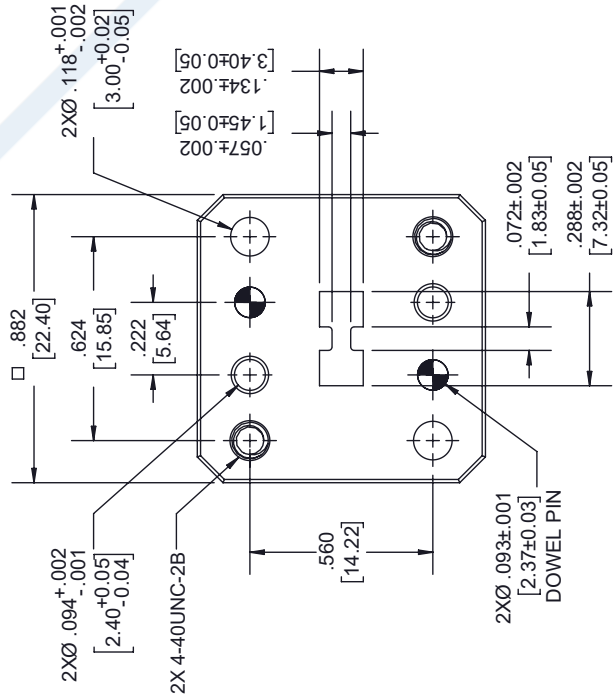
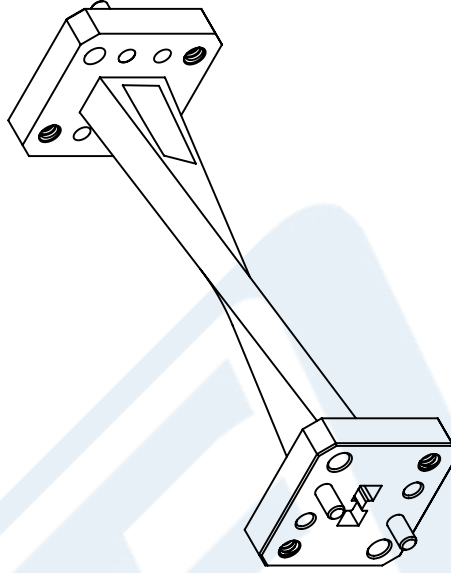
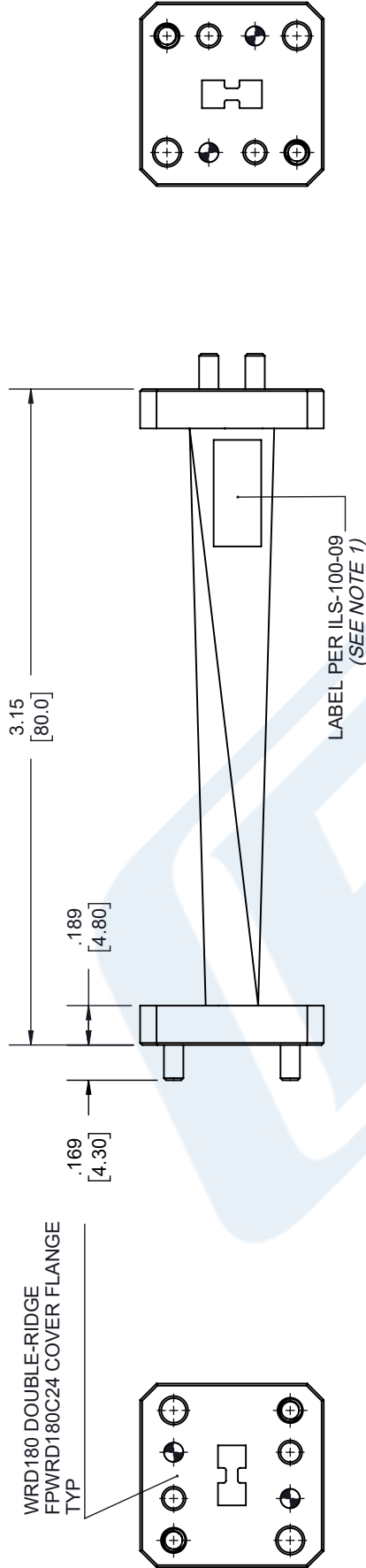
URL: <https://www.pasternack.com/wrd-180-90-waveguide-twist-ug385-50-75-ghz-pewrd180tw1001-p.aspx>

The information contained in this document is accurate to the best of our knowledge and representative of the part described herein. It may be necessary to make modifications to the part and/or the documentation of the part, in order to implement improvements. Pasternack reserves the right to make such changes as required. Unless otherwise stated, all specifications are nominal. Pasternack does not make any representation or warranty regarding the suitability of the part described herein for any particular purpose, and Pasternack does not assume any liability arising out of the use of any part or documentation.

PEWRD180TW1001 CAD Drawing

WRD-180 90 Degree Waveguide Twist with a UG Square Cover
Flange Operating from 18 GHz to 40 GHz in Brass

REVISIONS			
REV.	DESCRIPTION	DATE	APPROVED
A	INITIAL RELEASE	10/2/2020	S.PONG



FLANGE DETAIL

UNLESS OTHERWISE SPECIFIED
LEADING DIMENSIONS ARE INCHES
DIMENSIONS IN [] ARE MILLIMETERS

TOLERANCES:
 .X = ±.2 [5.08] FRACTIONS ± 1/32
 .XX = ±.02 [.51] ANGLES ± 1°
 .XXX = ±.005 [.13]

CABLE LENGTH (L), TOLERANCES:
 L ≤ 12 [305] = +1 [25] / -0
 12 [305] < L ≤ 60 [1524] = +2 [51] / -0
 60 [1524] < L ≤ 120 [3048] = +4 [102] / -0
 120 [3048] < L ≤ 300 [7620] = +6 [152] / -0
 300 [7620] < L = +5% / -0

ALL DIMENSIONS SHOWN
ARE FOR REFERENCE ONLY.

THIRD-ANGLE PROJECTION

THE INFORMATION AND
DESIGN IN THIS DOCUMENT
IS THE PROPERTY OF
PASTERNAK CORPORATION
ALL RIGHTS RESERVED.

SHEET 1 OF 1

SCALE N/A

PE **PASTERNAK**
an INFINITE brand

Pasternack Enterprises, Inc.
P.O. Box 16759, Irvine, CA 92623.
Phone: 1.949.261.1920 | 1.866.727.8376
Fax: 1.949.261.7451
Website: www.pasternack.com
E-mail: sales@pasternack.com

ITEM NO. PEWRD180TW1001

SIZE A CAGE CODE 53919 DRAWN BY K.DANG

- NOTES:
1. LABEL PER ILS-100-09. FOR INTERNAL REFERENCE ONLY.
LABEL LOCATION FOR REFERENCE ONLY.

THESE COMMODITIES, TECHNOLOGY OR SOFTWARE WERE EXPORTED FROM THE UNITED STATES IN ACCORDANCE WITH THE EXPORT ADMINISTRATION REGULATIONS. DIVERSION CONTRARY TO U.S. LAW PROHIBITED.