



WRD-750 Double Ridge Waveguide SPDT/DPDT
 Latching Relay Switch, 7.5 GHz to 18 GHz Frequency
 Band, 8,500 Watts, UG Cover, 28V, Self Cut Off

Waveguide Electromechanical Relay Switches Technical

PEWGS6048

Features

- 7.5 to 18 GHz SPDT Double Ridge Waveguide Switch
- Optional DPDT Configuration
- WRD-750 Double Ridge Waveguide
- Insertion Loss: 0.30 dB Max
- Isolation: 60 dB min
- +28 Vdc Nominal Voltage
- Input Power Rating up to 8.5 KW CW max
- Latching Self Cut Off Actuator
- Position Indicator and Manual Override Access
- Fully Weatherized Package
- Quick Connect Circular DC Connector with Mate
- -40°C to +85°C Operating Temperature

Applications

- Electronic Warfare
- Electronic Countermeasures
- Microwave Radio
- VSAT
- Radar
- Space Systems
- Test Instrumentation
- Research and Development

Description

The PEWGS6048 electromechanical relay switch supports double ridge WRD-750 waveguide ports and operates across an ultra-wide frequency range from 7.5 GHz to 18 GHz. The switch is configured for single pole double throw (SPDT) operation. A shorting plate on port 3 can be removed for optional double pole double throw (DPDT) operation. This innovative design features a latching Self Cut Off actuator and patented motor drive with arc suppression. The motor drive housing supports a viewable position indicator window and a cover that can be removed for manual override access. Impressive performance includes 0.30 dB max insertion loss, 60 dB min Isolation, 1.15:1 max VSWR, and an operating life of 250K cycles minimum. The design operates across a temperature range of -40°C to +85°C, requires +28Vdc nominal bias voltage, and has an input power rating of up to 8.5 KW CW maximum. The double ridge waveguide ports have standard UG Cover Flanges. The rugged package design is fully weatherized for up to 100% humidity exposure and supports a quick connect circular 6 pin MIL-SPEC DC bias connector with mate included.

Electrical Specifications

Switch Type	SPDT/DPDT
Actuator Type	Latching
Actuator Options	Self Cut Off, Set Indicators, Manual Override, Viewing Window

Description	Minimum	Typical	Maximum	Units
Frequency Range	7.5		18	GHz
Operating Voltage	21	28	32	Volts
Actuating Current @ 28 Volts			1	A
VSWR			1.15:1	
Insertion Loss			0.3	dB
Isolation	60			dB
Switching Time		100		ms
Input Power (CW)			8.5	kWatts

Click the following link (or enter part number in "SEARCH" on website) to obtain additional part information including price, inventory and certifications: [WRD-750 Double Ridge Waveguide SPDT/DPDT Latching Relay Switch, 7.5 GHz to 18 GHz Frequency Band, 8,500 Watts, UG Cover, 28V, Self Cut Off PEWGS6048](#)



WRD-750 Double Ridge Waveguide SPDT/DPDT
Latching Relay Switch, 7.5 GHz to 18 GHz Frequency
Band, 8,500 Watts, UG Cover, 28V, Self Cut Off

Waveguide Electromechanical Relay Switches Technical

PEWGS6048

Mechanical Specifications

Size

Operating Life 250,000 Cycles
Operating Pressure 30 psig

Configuration

Waveguide Size WRD-750
Flange Type UG Cover
Body Material and Plating Aluminum, Gold
Body Plating Specification MIL-DTL-5541

Environmental Specifications

Temperature

Operating Range -40 to +85 deg C
Storage Range -55 to +100 deg C

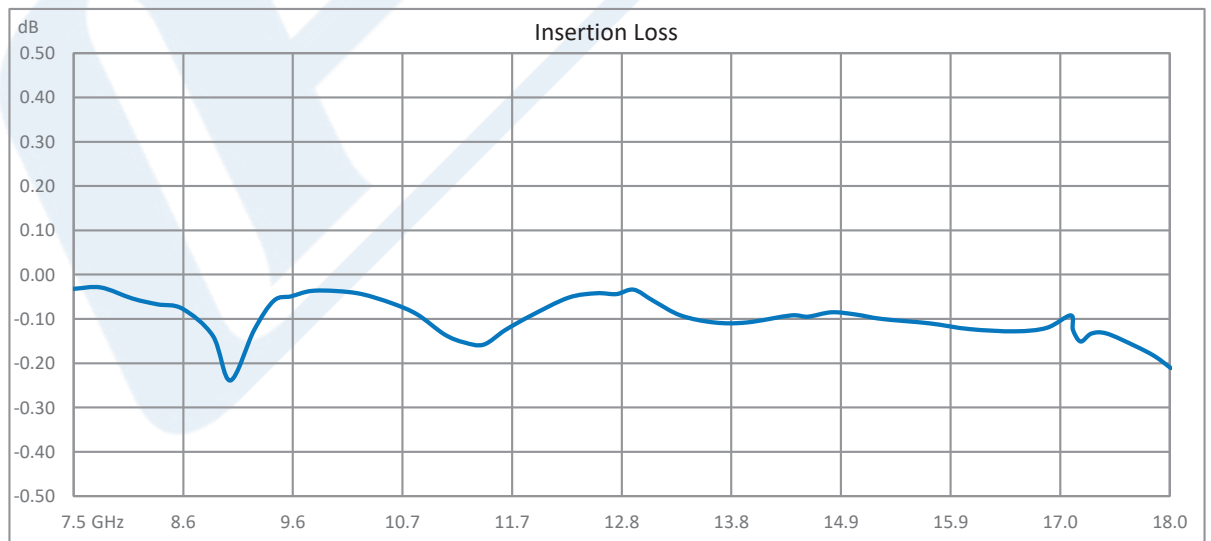
Humidity 0 to 100%, Fully Weatherized

Compliance Certifications (see [product page](#) for current document)

Plotted and Other Data

Notes:

Typical Performance Data



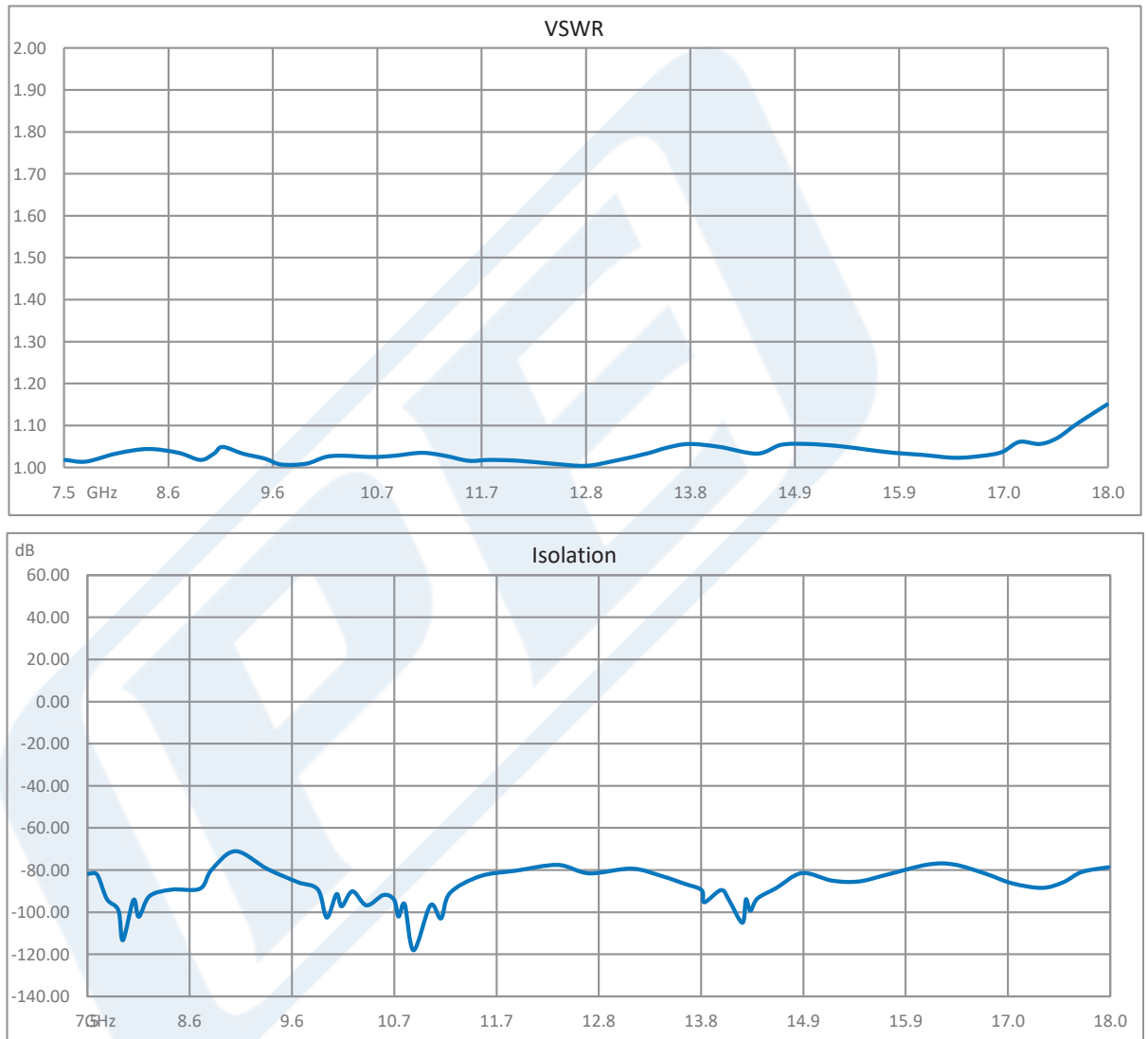
Click the following link (or enter part number in "SEARCH" on website) to obtain additional part information including price, inventory and certifications: [WRD-750 Double Ridge Waveguide SPDT/DPDT Latching Relay Switch, 7.5 GHz to 18 GHz Frequency Band, 8,500 Watts, UG Cover, 28V, Self Cut Off PEWGS6048](#)



WRD-750 Double Ridge Waveguide SPDT/DPDT
Latching Relay Switch, 7.5 GHz to 18 GHz Frequency
Band, 8,500 Watts, UG Cover, 28V, Self Cut Off

Waveguide Electromechanical Relay Switches Technical

PEWGS6048



Click the following link (or enter part number in "SEARCH" on website) to obtain additional part information including price, inventory and certifications: [WRD-750 Double Ridge Waveguide SPDT/DPDT Latching Relay Switch, 7.5 GHz to 18 GHz Frequency Band, 8,500 Watts, UG Cover, 28V, Self Cut Off PEWGS6048](#)



WRD-750 Double Ridge Waveguide SPDT/DPDT
Latching Relay Switch, 7.5 GHz to 18 GHz Frequency
Band, 8,500 Watts, UG Cover, 28V, Self Cut Off

Waveguide Electromechanical Relay Switches Technical

PEWGS6048

WRD-750 Double Ridge Waveguide SPDT/DPDT Latching Relay Switch, 7.5 GHz to 18 GHz Frequency Band, 8,500 Watts, UG Cover, 28V, Self Cut Off from Pasternack Enterprises has same day shipment for domestic and International orders. Our RF, microwave and millimeter wave products maintain a 99.4% availability and are part of the broadest selection in the industry.

Click the following link (or enter part number in "SEARCH" on website) to obtain additional part information including price, inventory and certifications: [WRD-750 Double Ridge Waveguide SPDT/DPDT Latching Relay Switch, 7.5 GHz to 18 GHz Frequency Band, 8,500 Watts, UG Cover, 28V, Self Cut Off PEWGS6048](https://www.pasternack.com/wrd-750-waveguide-electromechanical-relay-spd-dpdt-latching-switch-18-ghz-pewgs6048-p.aspx)

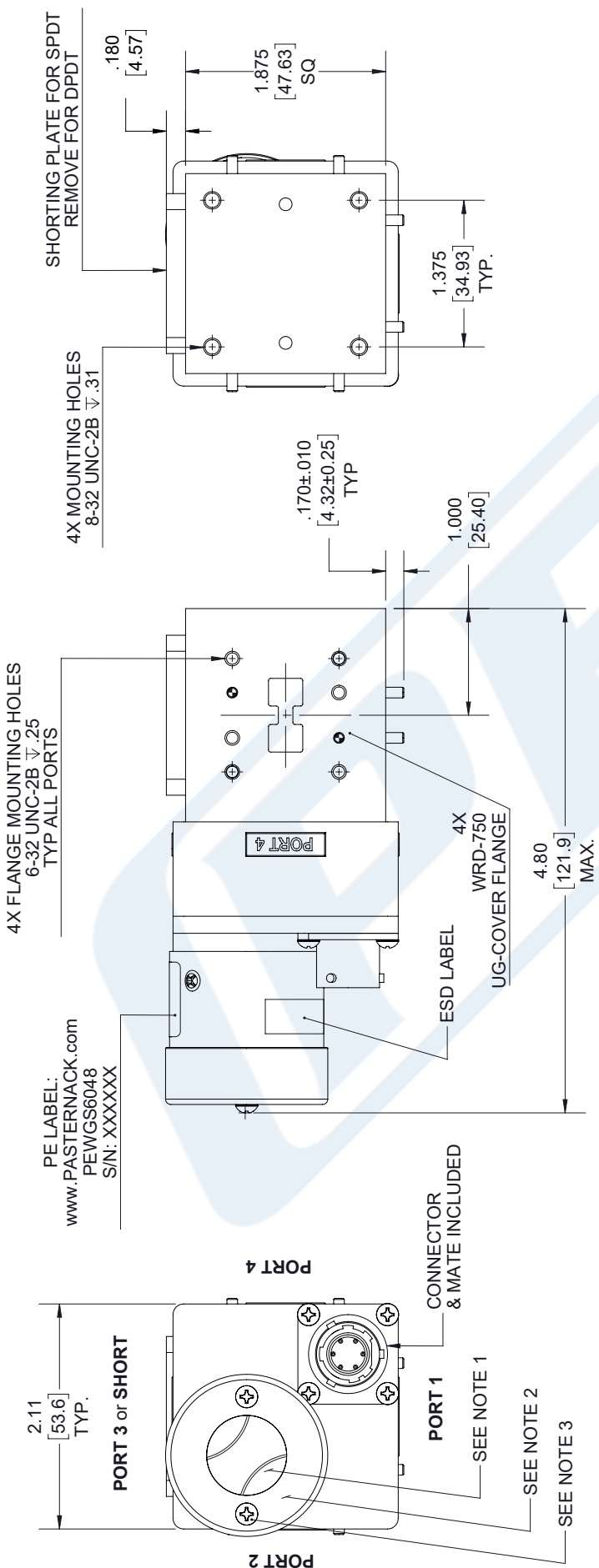
URL: <https://www.pasternack.com/wrd-750-waveguide-electromechanical-relay-spd-dpdt-latching-switch-18-ghz-pewgs6048-p.aspx>

The information contained in this document is accurate to the best of our knowledge and representative of the part described herein. It may be necessary to make modifications to the part and/or the documentation of the part, in order to implement improvements. Pasternack reserves the right to make such changes as required. Unless otherwise stated, all specifications are nominal. Pasternack does not make any representation or warranty regarding the suitability of the part described herein for any particular purpose, and Pasternack does not assume any liability arising out of the use of any part or documentation.

PEWGS6048 CAD Drawing

WRD-750 Double Ridge Waveguide SPDT/DPDT Latching Relay Switch, 7.5 GHz to 18 GHz Frequency Band, 8,500 Watts, UG Cover, 28V, Self Cut Off

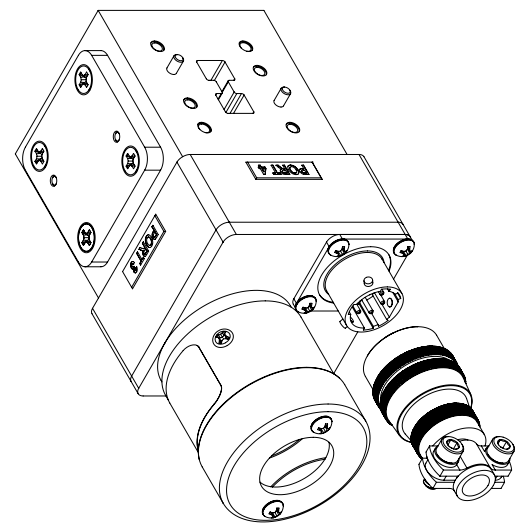
REVISIONS			
REV.	DESCRIPTION	DATE	APPROVED
A	INITIAL RELEASE	07/16/19	T. GALLA



- NOTES:
- MANUAL OVERRIDE & POSITION INDICATOR.
 - WEATHERIZED COVER WITH CLEAR VIEWING WINDOW.
 - FOR ACCESS TO MANUAL OVERRIDE LOOSEN (2) CAPTIVE SCREWS.

PE LABEL:
www.PASTERNAK.com
PEWGS6048
S/N: XXXXXX

CONNECTOR & MATE INCLUDED
SEE NOTE 1
SEE NOTE 2
SEE NOTE 3

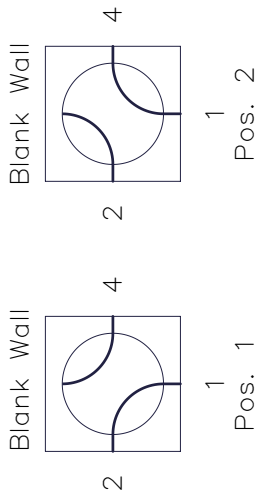


<p>UNLESS OTHERWISE SPECIFIED LEADING DIMENSIONS ARE INCHES DIMENSIONS IN [] ARE MILLIMETERS</p> <p>TOLERANCES: X±.2 [5.08] FRACTIONS XX±.01 [.25] ±.132 XXX±.005 [.13] ANGLES ± 1°</p> <p>ALL DIMENSIONS SHOWN ARE FOR REFERENCE ONLY.</p> <p>THIRD-ANGLE PROJECTION</p>		<p>THE INFORMATION AND DESIGN IN THIS DOCUMENT IS THE PROPERTY OF PASTERNAK CORPORATION. ALL RIGHTS RESERVED.</p> <p>SHEET 1 OF 2</p> <p>SCALE N/A</p>	
<p>PE PASTERNAK an INFINITO brand</p> <p>Pasternack Enterprises, Inc. P.O. Box 16759, Irvine, CA 92623. Phone: 1.949.261.1920 1.866.727.8376 Fax: 1.949.261.7451 www.pasternack.com e-mail: sales@pasternack.com</p>		<p>SIZE [CAGE] DRAWN BY PART NUMBER REV</p> <p>A 53919 K.DANG PEWGS6048 A</p>	

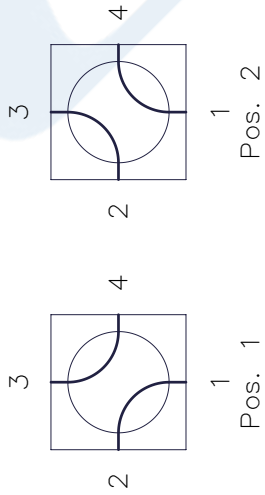
THESE COMMODITIES, TECHNOLOGY OR SOFTWARE WERE EXPORTED FROM THE UNITED STATES IN ACCORDANCE WITH THE EXPORT ADMINISTRATION REGULATIONS. DIVERSION CONTRARY TO U.S. LAW PROHIBITED.

PEWGS6048 CAD Drawing

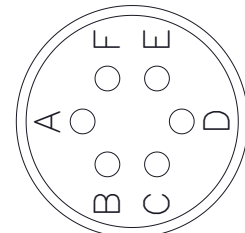
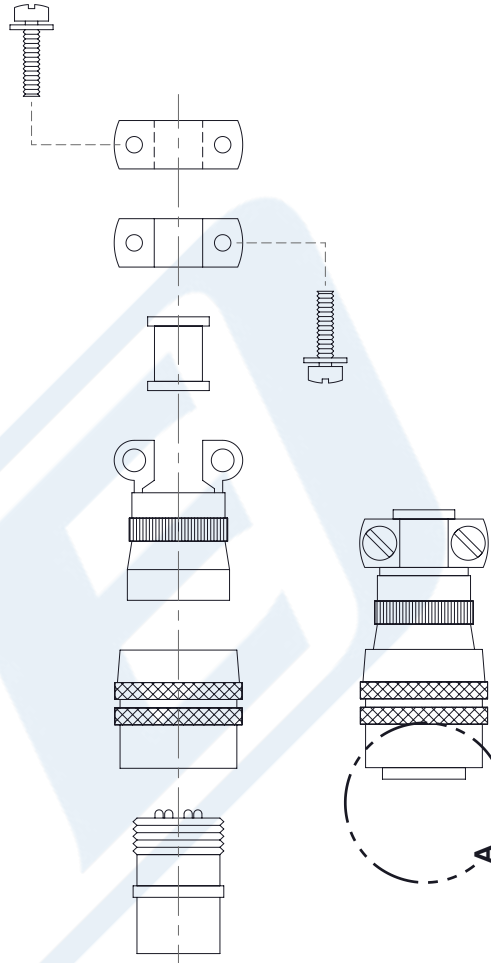
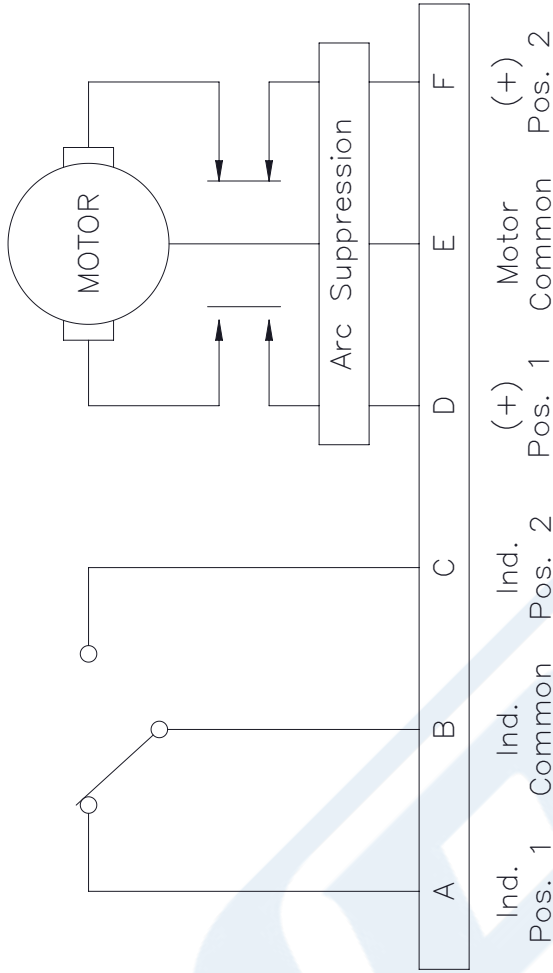
WRD-750 Double Ridge Waveguide SPDT/DPDT Latching Relay Switch, 7.5 GHz to 18 GHz Frequency Band, 8,500 Watts, UG Cover, 28V, Self Cut Off



R.F. PATHS--SRDI



R.F. PATHS--DPDI



VIEW A

UNLESS OTHERWISE SPECIFIED LEADING DIMENSIONS ARE INCHES DIMENSIONS IN [] ARE MILLIMETERS

TOLERANCES:

X±.2	[5.08]	FRACTIONS
.XX±.01	[.25]	±1/32
.XXX±.005	[.13]	ANGLES ± 1°

ALL DIMENSIONS SHOWN ARE FOR REFERENCE ONLY.

THIRD-ANGLE PROJECTION

THE INFORMATION AND DESIGN IN THIS DOCUMENT IS THE PROPERTY OF PASTERNAK CORPORATION. ALL RIGHTS RESERVED.

PE PASTERNAK
an INFINITO brand

Pasternack Enterprises, Inc.
P.O. Box 16759, Irvine, CA 92623.
Phone: 1,949,261,1920 | 1,866,727,8376
Fax: 1,949,261,7451
www.pasternack.com | e-mail: sales@pasternack.com

SIZE	CAGE	DRAWN BY	PART NUMBER	REV
A	53919	K.DANG	PEWGS6048	A

SHEET 2 OF 2
SCALE N/A

THESE COMMODITIES, TECHNOLOGY OR SOFTWARE WERE EXPORTED FROM THE UNITED STATES IN ACCORDANCE WITH THE EXPORT ADMINISTRATION REGULATIONS. DIVERSION CONTRARY TO U.S. LAW PROHIBITED.