



WR-62 Waveguide Pressure Window, UG-419/U and UG-419/U-Grooved Flanges, Brass

Waveguide Accessories Technical Data Sheet

PEWGP1010

Features

- WR-62 Waveguide
- Operating Frequency Range from 11.9 GHz to 18 GHz
- UG-419/U and UG-419/U-Grooved Flanges
- 1.25:1 Max VSWR
- 500 Watts (CW) Max Power Handling
- Insertion loss: 0.25 dB Max
- Thickness: 0.79 inches
- PTFE window material
- Pressure Handling Capability: 29 PSI Max

Applications

- Radar Systems
- Military and Space
- Wireless Radio Systems
- Communication Systems
- R&D Labs
- Microwave Radio Systems

Description

Waveguide pressure windows are used to isolate pressurized components from non-pressurized components within a waveguide system. They can also provide protection against contaminants (debris, moisture and dust) from entering the waveguide system and degrading its RF performance. The PEWGP1010 is a WR-62 waveguide pressure windows that operates in the frequency range of 11.9 GHz to 18 GHz. This WR-62 waveguide termination has a Max VSWR of 1.25:1. This waveguide pressure window is made of annealed copper and incorporates UG-419/U and UG-419/U-Grooved flange interface. Waveguide pressure windows are part of Pasternack's comprehensive waveguide product offerings which are available in stock and ready for same-day shipment.

Electrical Specifications

Description	Minimum	Typical	Maximum	Units
Frequency Range	11.9		18	GHz
VSWR			1.25:1	
Insertion Loss			0.25	dB
Input Power			500	Watts

Click the following link (or enter part number in "SEARCH" on website) to obtain additional part information including price, inventory and certifications: [WR-62 Waveguide Pressure Window, UG-419/U and UG-419/U-Grooved Flanges, Brass PEWGP1010](#)



WR-62 Waveguide Pressure Window, UG-419/U and UG-419/U-Grooved Flanges, Brass

Waveguide Accessories Technical Data Sheet

PEWGP1010

Mechanical Specifications

Body Material	Copper Brass
Body Finish	Passivation
Length	1.311 in [33.3][mm]
Width	1.311 in [33.3][mm]
Height	0.787 in [19.99][mm]
Weight	0.22 lbs [99.79][g]

Compliance Certifications (see [product page](#) for current document)

WR-62 Waveguide Pressure Window, UG-419/U and UG-419/U-Grooved Flanges, Brass from Pasternack Enterprises has same day shipment for domestic and International orders. Our RF, microwave and millimeter wave products maintain a 99.4% availability and are part of the broadest selection in the industry.

Click the following link (or enter part number in "SEARCH" on website) to obtain additional part information including price, inventory and certifications: [WR-62 Waveguide Pressure Window, UG-419/U and UG-419/U-Grooved Flanges, Brass PEWGP1010](#)

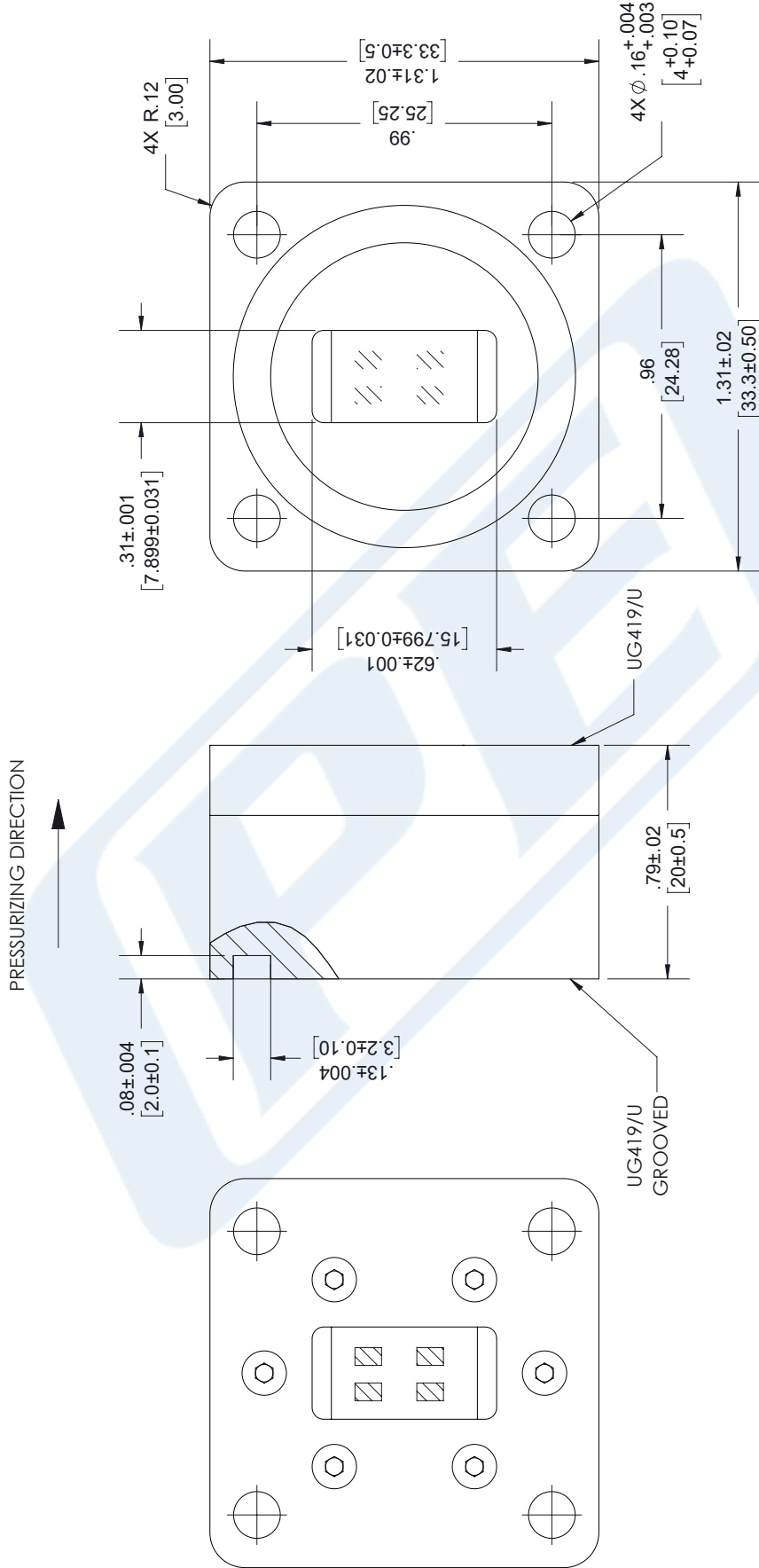
URL: <https://www.pasternack.com/pewgp1010-p.aspx>

The information contained in this document is accurate to the best of our knowledge and representative of the part described herein. It may be necessary to make modifications to the part and/or the documentation of the part, in order to implement improvements. Pasternack reserves the right to make such changes as required. Unless otherwise stated, all specifications are nominal. Pasternack does not make any representation or warranty regarding the suitability of the part described herein for any particular purpose, and Pasternack does not assume any liability arising out of the use of any part or documentation.

PEWGP1010 CAD Drawing

WR-62 Waveguide Pressure Window, UG-419/U and UG-419/U-Grooved Flanges, Brass

REVISIONS			
REV.	DESCRIPTION	DATE	APPROVED
A	INITIAL RELEASE	15-04-2021	SPONG



UNLESS OTHERWISE SPECIFIED LEADING DIMENSIONS ARE INCHES DIMENSIONS IN [] ARE MILLIMETERS	
TOLERANCES:	FRACTIONS
X±.2 [5.08]	±.132
.XX±.01 [.25]	±.13
.XXX±.005 [.13]	±.13
ALL DIMENSIONS SHOWN ARE FOR REFERENCE ONLY.	
THIRD-ANGLE PROJECTION	

		THE INFORMATION AND DESIGN IN THIS DOCUMENT IS THE PROPERTY OF PASTERNAK CORPORATION. ALL RIGHTS RESERVED.	
Pastermack Enterprises, Inc. P.O. Box 16759, Irvine, CA 92623. Phone: 1.949.261.1920 1.866.727.8376 Fax: 1.949.261.7451 www.pastermack.com e-mail: sales@pastermack.com		SHEET	OF
		1	1
		SCALE	N/A
CAGE NUMBER	PART NUMBER	REV	
A	53919 MVEERAPPAN	PEWGP1010	A

THESE COMMODITIES, TECHNOLOGY OR SOFTWARE WERE EXPORTED FROM THE UNITED STATES IN ACCORDANCE WITH THE EXPORT ADMINISTRATION REGULATIONS. DIVERSION CONTRARY TO U.S. LAW PROHIBITED.