



## WR-187 UDR48 Flange to N Female Waveguide to Coax Adapter Operating from 3.94 GHz to 5.99 GHz in Aluminum

### Waveguide to Coax Adapters Technical Data Sheet

PEWCA1083

#### Features

- 3.94 GHz to 5.99 GHz Frequency Range
- WR-187 Waveguide Interface
- UDR48 Flange
- N Female RF Interface
- Comprehensive waveguide offering also include E-Bends, H-Bends, Sections, Filters, Terminations, Couplers, and more.

#### Applications

- Test Benches
- Radar
- Satellite
- Microwave Radio Systems
- Military and Space
- Communication Systems

#### Description

The PEWCA1083 is a right angle waveguide to coaxial adapter operating at a frequency range of 3.94 GHz to 5.99 GHz. This adapter offers a WR-187 waveguide interface size coupled with a precision tolerance UDR48 flange. The PEWCA1083 is constructed of aluminum and painted gray to ensure durability. The coaxial connector offered by this adapter uses an N Female connector.

#### Configuration

Waveguide Size	WR-187
Flange	UDR48
RF Connector	N Female
Body Geometry	Right Angle

#### Electrical Specifications

Description	Minimum	Typical	Maximum	Units
Frequency Range	3.94		5.99	GHz
VSWR			1.25:1	
Insertion Loss			0.2	dB
Input Power (CW)			100	Watts

#### Mechanical Specifications

<b>Size</b>	
Length	2.12 in [53.85 mm]
Width	3.5 in [88.9 mm]
Height	2.5 in [63.5 mm]

<b>RF Connector</b>	
Connector Type	N Female

<b>Waveguide Interface</b>	
Waveguide Type	WR-187

Click the following link (or enter part number in "SEARCH" on website) to obtain additional part information including price, inventory and certifications: [WR-187 UDR48 Flange to N Female Waveguide to Coax Adapter Operating from 3.94 GHz to 5.99 GHz in Aluminum PEWCA1083](#)



## WR-187 UDR48 Flange to N Female Waveguide to Coax Adapter Operating from 3.94 GHz to 5.99 GHz in Aluminum

### Waveguide to Coax Adapters Technical Data Sheet

PEWCA1083

Flange Type	UDR48
Body Material and Plating	Aluminum

**Compliance Certifications** (see [product page](#) for current document)

#### Plotted and Other Data

Notes:

- Values at +25 °C, sea level unless stated otherwise

WR-187 UDR48 Flange to N Female Waveguide to Coax Adapter Operating from 3.94 GHz to 5.99 GHz in Aluminum from Pasternack Enterprises has same day shipment for domestic and International orders. Our RF, microwave and millimeter wave products maintain a 99.4% availability and are part of the broadest selection in the industry.

Click the following link (or enter part number in "SEARCH" on website) to obtain additional part information including price, inventory and certifications: [WR-187 UDR48 Flange to N Female Waveguide to Coax Adapter Operating from 3.94 GHz to 5.99 GHz in Aluminum PEWCA1083](#)

URL: <https://www.pasternack.com/wr187-udr48-flange-to-type-n-female-waveguide-coax-adapter-5.99-ghz-pewca1083-p.aspx>

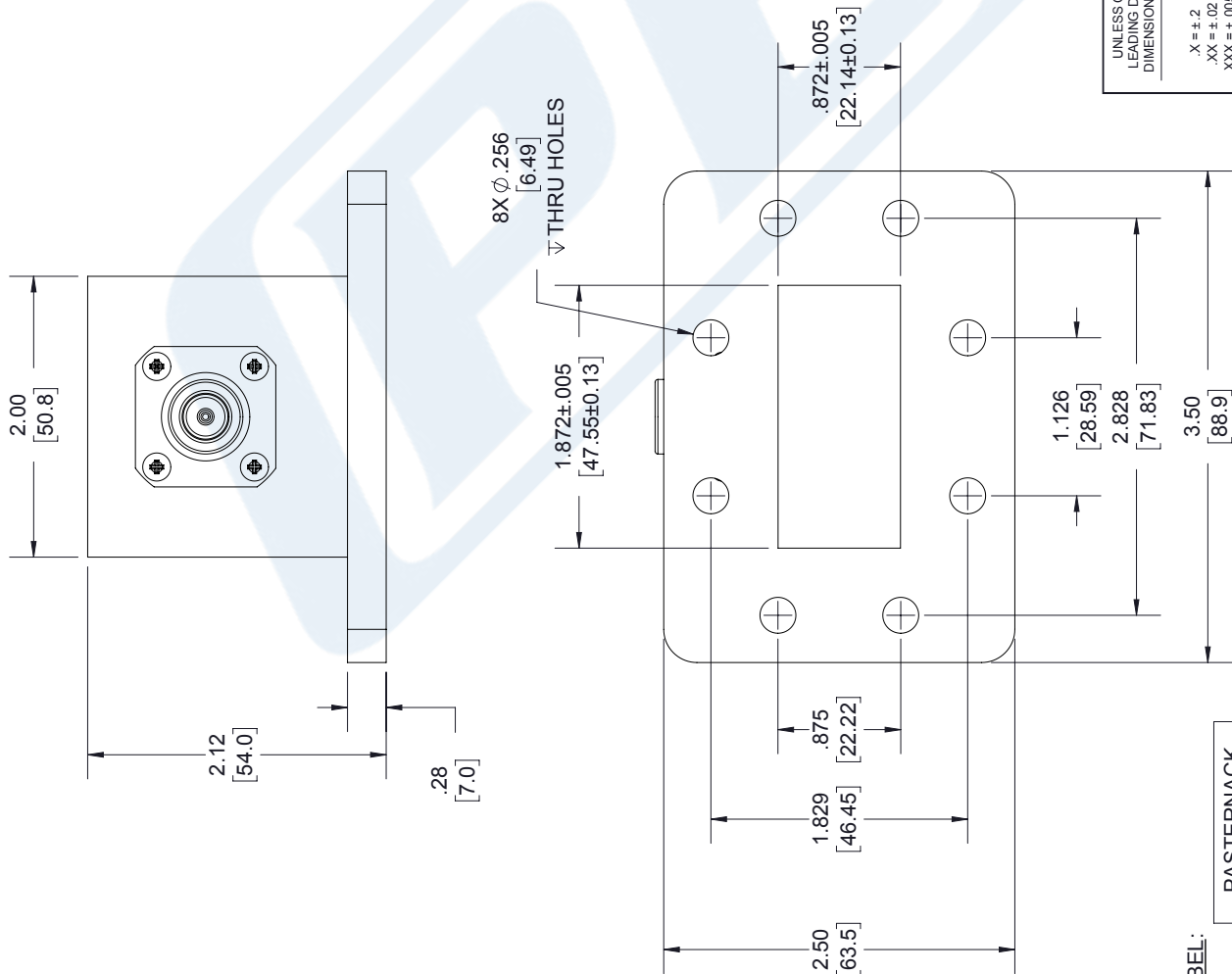
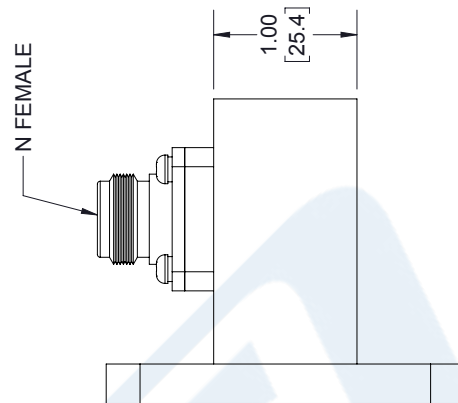
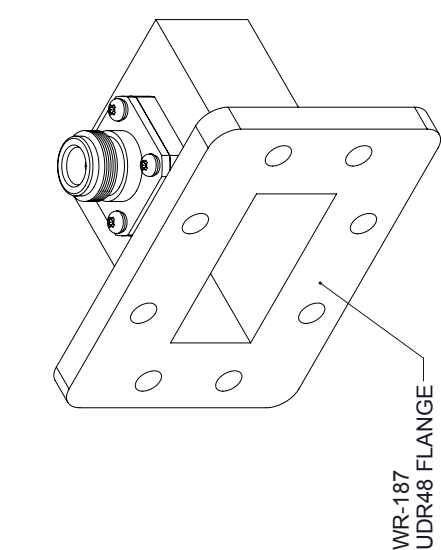
The information contained in this document is accurate to the best of our knowledge and representative of the part described herein. It may be necessary to make modifications to the part and/or the documentation of the part, in order to implement improvements. Pasternack reserves the right to make such changes as required. Unless otherwise stated, all specifications are nominal. Pasternack does not make any representation or warranty regarding the suitability of the part described herein for any particular purpose, and Pasternack does not assume any liability arising out of the use of any part or documentation.

# PEWCA1083 CAD Drawing

WR-187 UDR48 Flange to N Female Waveguide to Coax Adapter  
Operating from 3.94 GHz to 5.99 GHz in Aluminum

### REVISIONS

REV.	DESCRIPTION	DATE	APPROVED
A	INITIAL RELEASE	04/28/2020	SPONG



**PASTERNAK**  
PEWCA1083  
D/C: YYWW

UNLESS OTHERWISE SPECIFIED  
LEADING DIMENSIONS ARE INCHES  
DIMENSIONS IN [ ] ARE MILLIMETERS

TOLERANCES:  
.X = ±.2 [5.08] FRACTIONS ± 1/32  
.XX = ±.02 [.51] ANGLES ± 1°  
.XXX = ±.005 [.13] CABLE LENGTH (L) TOLERANCES:  
L ≤ 12 [305] = +1 [25] / -0  
12 [305] < L ≤ 60 [1524] = +2 [51] / -0  
60 [1524] < L ≤ 120 [3048] = +4 [102] / -0  
120 [3048] < L ≤ 300 [7620] = +6 [152] / -0  
300 [7620] < L = +5% / L / -0

ALL DIMENSIONS SHOWN  
ARE FOR REFERENCE ONLY.

**PE** **PASTERNAK**  
an INFINIT<sup>®</sup> brand

Pasternack Enterprises, Inc.  
P. O. Box 16759, Irvine, CA 92623.  
Phone: 1.949.261.1920 | 1.866.727.8376  
Fax: 1.949.261.7451  
Website: www.pasternack.com  
E-mail: sales@pasternack.com

THIRD-ANGLE PROJECTION

THE INFORMATION AND DESIGN IN THIS DOCUMENT IS THE PROPERTY OF PASTERNAK CORPORATION. ALL RIGHTS RESERVED.

SHEET 1 OF 1  
SCALE N/A

SIZE A CAGE CODE A 53919 DRAWN BY BPUCHASKI ITEM NO. PEWCA1083 REV. A