

WR-12 Waveguide Fixed Attenuator, 30 dB,
UG-387/U Cover Flange, 1W

Waveguide Fixed Attenuators Technical Data Sheet

PEWAT1011-30

Features

- WR-12 Waveguide
- Typical attenuation level: 30 dB
- Operating Frequency Range from 60 GHz to 90 GHz
- UG-387/U Cover Flange
- 1.15:1 Typ. VSWR
- 1.0 Watts (CW) Max Power Handling.

Applications

- Instrumentation
- Research and development
- System calibration
- Test benches

Description

PEWAT1011-30 is a WR-12 waveguide attenuator with 30 dB attenuation, operating in the 60 to 90 GHz frequency range. With typical VSWR performance of 1.15:1, the attenuator uses an UG-387/U cover flange that is made of gold plated aluminum. Pasternack offers standard mid-band tuned Waveguide fixed attenuators with attenuation values from 3 to 30 dB. Waveguide fixed attenuators are part of Pasternack's comprehensive waveguide product offerings which are available in stock and ready for same-day shipment.

Electrical Specifications

Description	Minimum	Typical	Maximum	Units
Frequency Range	60		90	GHz
Attenuation		30		dB
VSWR		1.15:1		
Input Power (CW)			1	Watt

Mechanical Specifications

Size

Length	2 in [50.8 mm]
Width	0.122 in [3.1 mm]

Description	Flange 1	Waveguide	Flange 2
Interface	UG-387/U	WR-12	UG-387/U
Material	Aluminum	Aluminum	Aluminum
Plating	Gold	Gold	Gold

Click the following link (or enter part number in "SEARCH" on website) to obtain additional part information including price, inventory and certifications: [WR-12 Waveguide Fixed Attenuator, 30 dB, UG-387/U Cover Flange, 1W PEWAT1011-30](#)



WR-12 Waveguide Fixed Attenuator, 30 dB,
UG-387/U Cover Flange, 1W

Waveguide Fixed Attenuators Technical Data Sheet

PEWAT1011-30

Compliance Certifications (see [product page](#) for current document)

Plotted and Other Data

Notes:

WR-12 Waveguide Fixed Attenuator, 30 dB, UG-387/U Cover Flange, 1W from Pasternack Enterprises has same day shipment for domestic and International orders. Our RF, microwave and millimeter wave products maintain a 99.4% availability and are part of the broadest selection in the industry.

Click the following link (or enter part number in "SEARCH" on website) to obtain additional part information including price, inventory and certifications: [WR-12 Waveguide Fixed Attenuator, 30 dB, UG-387/U Cover Flange, 1W PEWAT1011-30](#)

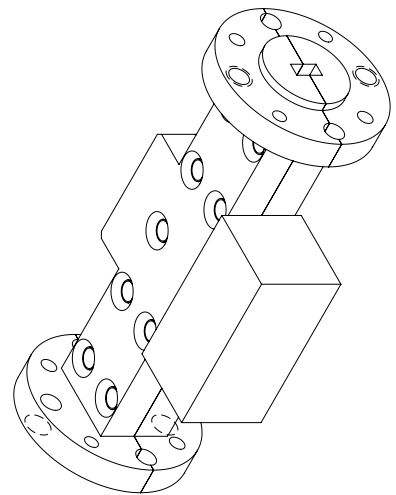
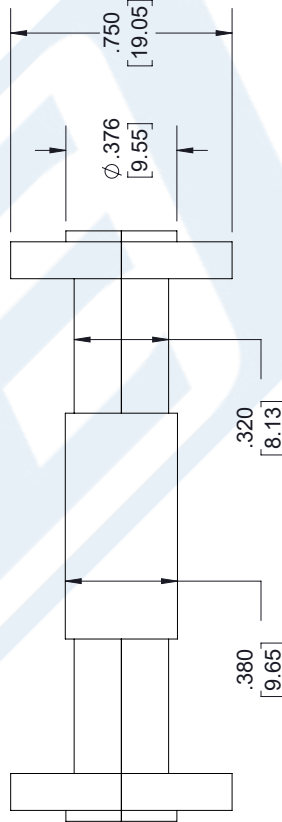
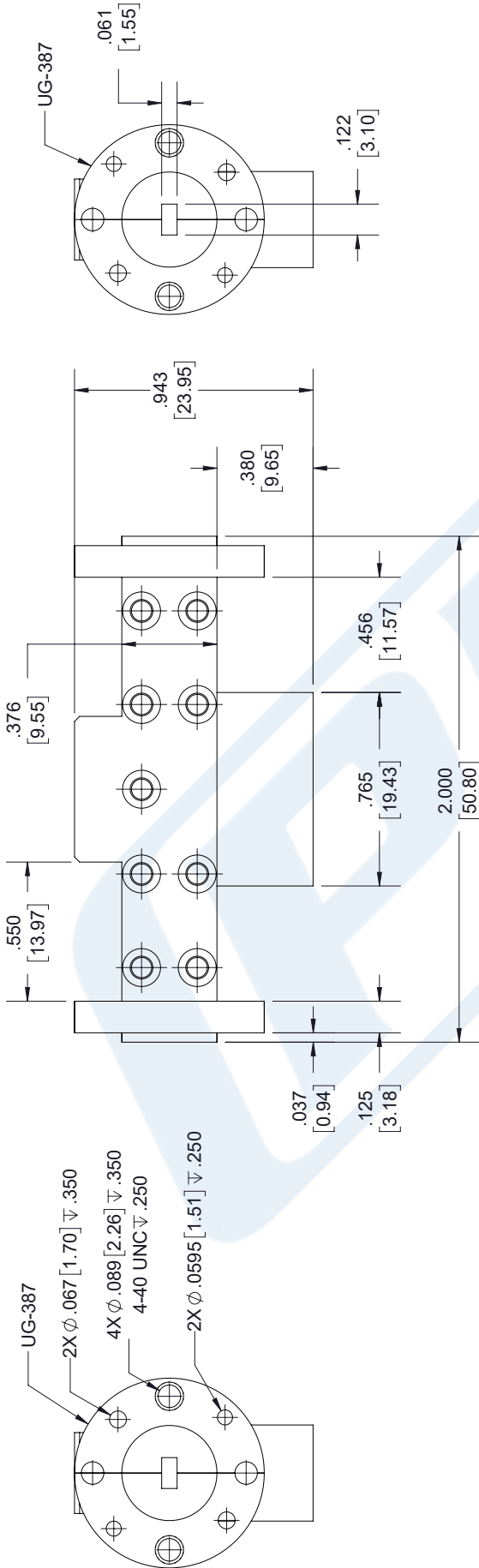
URL: <https://www.pasternack.com/wr-12-waveguide-fixed-attenuator-90-ghz-pewat1011-30-p.aspx>

The information contained in this document is accurate to the best of our knowledge and representative of the part described herein. It may be necessary to make modifications to the part and/or the documentation of the part, in order to implement improvements. Pasternack reserves the right to make such changes as required. Unless otherwise stated, all specifications are nominal. Pasternack does not make any representation or warranty regarding the suitability of the part described herein for any particular purpose, and Pasternack does not assume any liability arising out of the use of any part or documentation.

PEWAT1011-30 CAD Drawing

WR-12 Waveguide Fixed Attenuator, 30 dB, UG-387/U Cover Flange, 1W

REVISIONS			
REV.	DESCRIPTION	DATE	APPROVED
A	INITIAL RELEASE	05-04-2021	SPONG



UNLESS OTHERWISE SPECIFIED
LEADING DIMENSIONS ARE INCHES
DIMENSIONS IN [] ARE MILLIMETERS

TOLERANCES:
 .X = ±.2 [5.08] FRACTIONS ± 1/32
 .XX = ±.02 [.51] ANGLES ± 1°
 .XXX = ±.005 [.13]
 CABLE LENGTH (L) TOLERANCES:
 L ≤ 12 [305] = +1 [25] / -0
 12 [305] < L ≤ 60 [1524] = +2 [51] / -0
 60 [1524] < L ≤ 120 [3048] = +4 [102] / -0
 120 [3048] < L ≤ 300 [7620] = +6 [152] / -0
 300 [7620] < L = +5%L / -0

ALL DIMENSIONS SHOWN
ARE FOR REFERENCE ONLY.



Pasternack Enterprises, Inc.
 P. O. Box 16759, Irvine, CA 92623.
 Phone: 1.949.261.1920 | 1.866.727.8376
 Fax: 1.949.261.7451
 Website: www.pasternack.com
 E-mail: sales@pasternack.com

THIRD-ANGLE PROJECTION

THE INFORMATION AND DESIGN IN THIS DOCUMENT IS THE PROPERTY OF PASTERNAK CORPORATION. ALL RIGHTS RESERVED.

SHEET 1 OF 1
 SCALE N/A

SIZE A
 CAGE CODE 53919
 DRAWN BY MVEERAPPAN
 ITEM NO. PEWAT1011-XX
 REV A