



WR-10 Waveguide Lens Horn Antenna Operating from 89 GHz to 99 GHz with a Nominal 34 dBi Gain with UG-387/U Round Cover Flange

Gain Horns Technical Data Sheet

PEWAN1085

Features

- Rectangular Waveguide Interface
- 94 GHz center frequency
- 34 dBi Nominal Gain
- UG-387/U Round Cover Flange

Applications

- Antenna Measurements
- Wireless Communication
- Laboratory Use
- Microwave Radio Systems

Description

Waveguide horn lens antennas are used in a wide variety of applications due to their high power handling capability, low loss, high directivity, and near constant electrical performance across a broad bandwidth. Pasternack's PEWAN1085 WR-10 waveguide horn lens antenna operating from 94 GHz center frequency with a nominal 34 dBi gain is part of our full line of RF components available for same-day shipping. This Pasternack circular horn antenna has a precision tolerance UG-387/U round cover flange. The PEWAN1085 WR-10 waveguide horn lens antenna offers low gain variation across its operating frequency range.

Configuration

Design	WR-10 Lens Horn
Pattern	Directional
Polarization	Linear

Electrical Specifications

Description	Minimum	Typical	Maximum	Units
Frequency Range	89		99	GHz
Nominal Gain		34		dBi
Horizontal Half Power Beam Width		3		Degrees
Vertical Half Power Beam Width		3		Degrees
VSWR		1.5:1		

Mechanical Specifications

Size

Length	6.16 in [156.46 mm]
Width	3 in [76.2 mm]
Height	3 in [76.2 mm]
Weight	0.77 lbs [349.27 g]

Waveguide Interface

Waveguide Size	WR-10
Flange Type	Round Cover
Flange Designation	UG-387/U

Click the following link (or enter part number in "SEARCH" on website) to obtain additional part information including price, inventory and certifications: [WR-10 Waveguide Lens Horn Antenna Operating from 89 GHz to 99 GHz with a Nominal 34 dBi Gain with UG-387/U Round Cover Flange PEWAN1085](#)



WR-10 Waveguide Lens Horn Antenna Operating
from 89 GHz to 99 GHz with a Nominal 34 dBi
Gain with UG-387/U Round Cover Flange

Gain Horns Technical Data Sheet

PEWAN1085

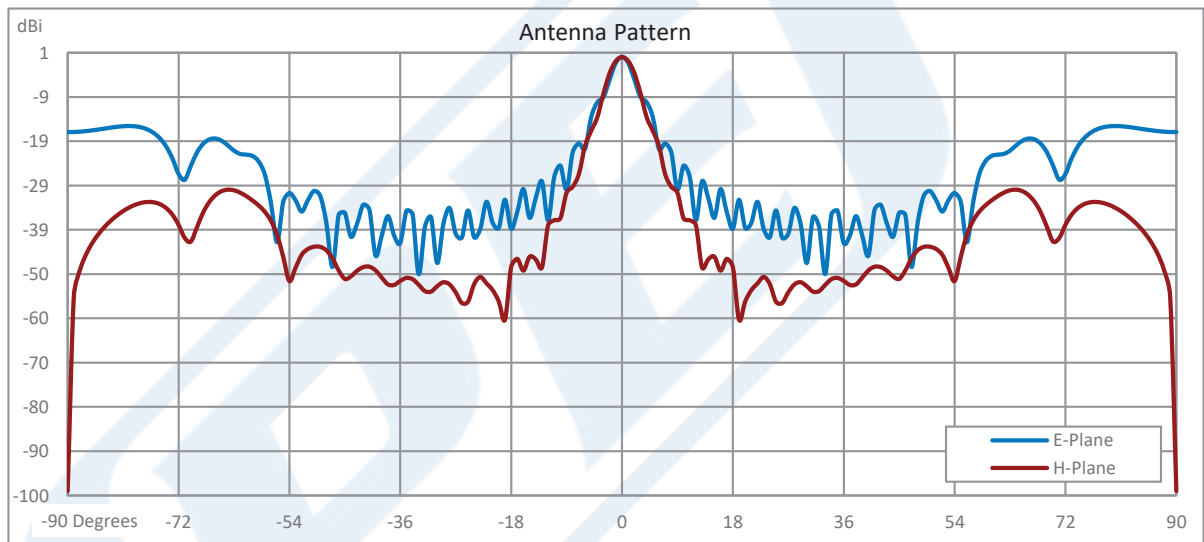
Body Material and Plating

Aluminum

Compliance Certifications (see [product page](#) for current document)

Plotted and Other Data

Typical Performance Data



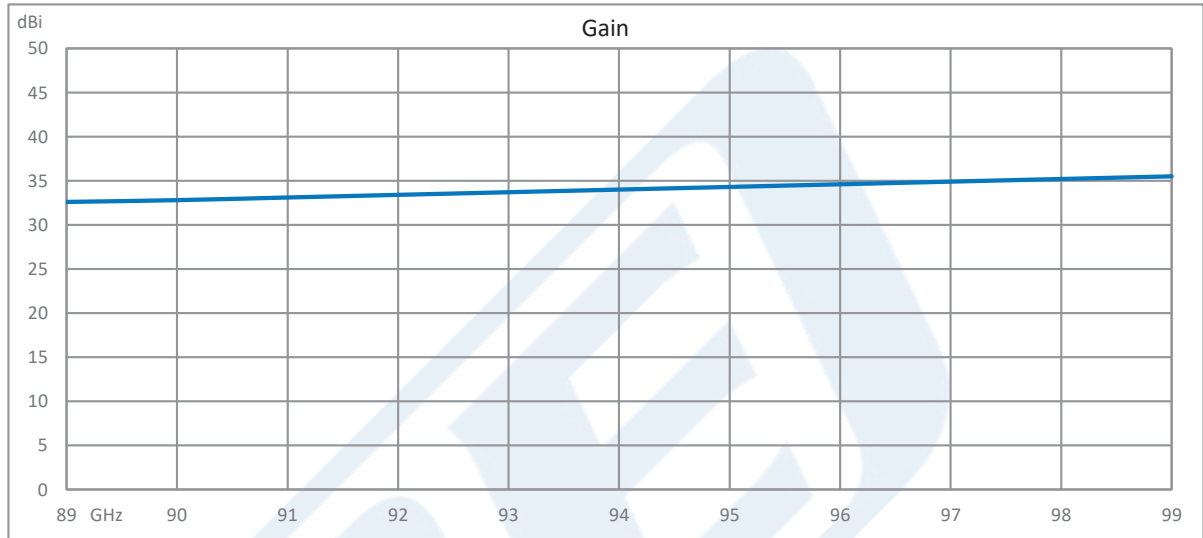
Click the following link (or enter part number in "SEARCH" on website) to obtain additional part information including price, inventory and certifications: [WR-10 Waveguide Lens Horn Antenna Operating from 89 GHz to 99 GHz with a Nominal 34 dBi Gain with UG-387/U Round Cover Flange PEWAN1085](#)



WR-10 Waveguide Lens Horn Antenna Operating
from 89 GHz to 99 GHz with a Nominal 34 dBi
Gain with UG-387/U Round Cover Flange

Gain Horns Technical Data Sheet

PEWAN1085



WR-10 Waveguide Lens Horn Antenna Operating from 89 GHz to 99 GHz with a Nominal 34 dBi Gain with UG-387/U Round Cover Flange from Pasternack Enterprises has same day shipment for domestic and International orders. Our RF, microwave and millimeter wave products maintain a 99.4% availability and are part of the broadest selection in the industry.

Click the following link (or enter part number in "SEARCH" on website) to obtain additional part information including price, inventory and certifications: [WR-10 Waveguide Lens Horn Antenna Operating from 89 GHz to 99 GHz with a Nominal 34 dBi Gain with UG-387/U Round Cover Flange PEWAN1085](https://www.pasternack.com/wr-10-waveguide-lens-horn-antenna-operating-from-89-ghz-to-99-ghz-with-a-nominal-34-dbi-gain-with-ug-387-u-round-cover-flange-pewan1085)

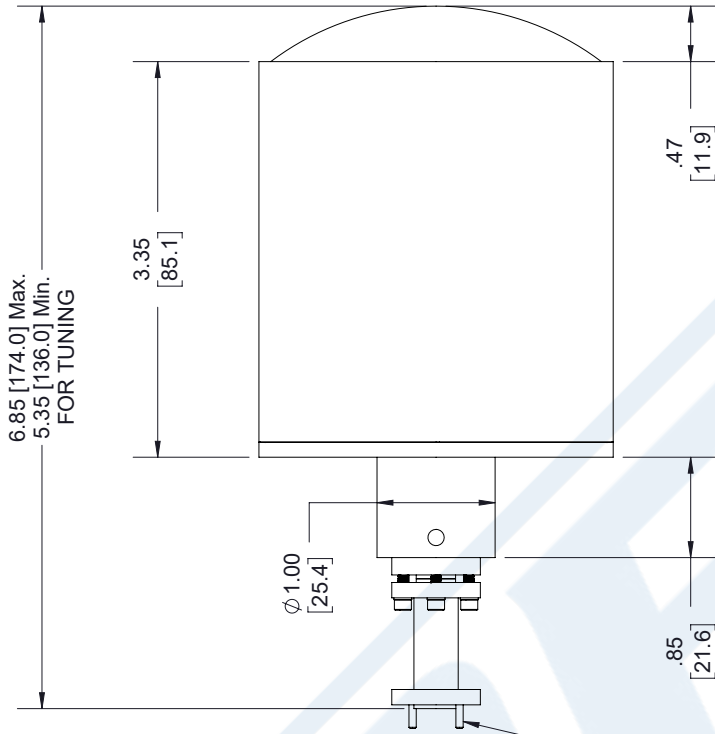
URL: <https://www.pasternack.com/wr-10-waveguide-gain-horn-antenna-34dbi-ug-387-round-flange-pewan1085-p.aspx>

The information contained in this document is accurate to the best of our knowledge and representative of the part described herein. It may be necessary to make modifications to the part and/or the documentation of the part, in order to implement improvements. Pasternack reserves the right to make such changes as required. Unless otherwise stated, all specifications are nominal. Pasternack does not make any representation or warranty regarding the suitability of the part described herein for any particular purpose, and Pasternack does not assume any liability arising out of the use of any part or documentation.

PEWAN1085 CAD Drawing

WR-10 Waveguide Lens Horn Antenna Operating from 89 GHz to 99 GHz
with a Nominal 34 dBi Gain with UG-387/U Round Cover Flange

REVISIONS			
REV.	DESCRIPTION	DATE	APPROVED
A	INITIAL RELEASE	02/20/19	M.MILLER



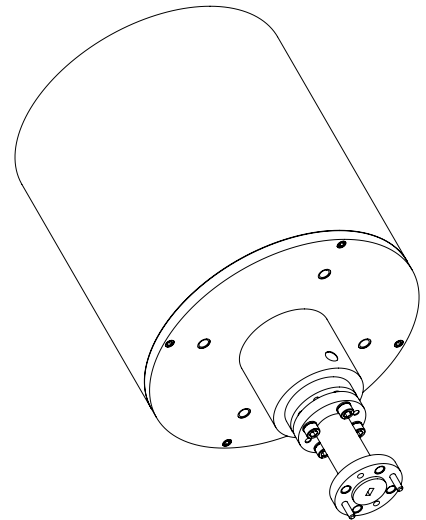
WR-10
UG-387/U-MOD ROUND FLANGE

4X #6-32 TAPPED HOLES
FOR MOUNTING PURPOSES

Ø 3.00
[76.2]

Ø 2.00
[50.8]
BC.

2X Ø .0615 X L.200
DOWEL PIN



UNLESS OTHERWISE SPECIFIED
LEADING DIMENSIONS ARE INCHES
DIMENSIONS IN [] ARE MILLIMETERS

TOLERANCES:
X±.2 [5.08] FRACTIONS
XX±.01 [25] ±.132
.XXX±.005 [1.13] ANGLES ± 1°

ALL DIMENSIONS SHOWN
ARE FOR REFERENCE ONLY.

THIRD-ANGLE PROJECTION

PE PASTERNAK
an INFINITO brand

Pasternack Enterprises, Inc.
P.O. Box 16759, Irvine, CA 92623.
Phone: 1.949.261.1920 | 1.866.727.8376
Fax: 1.949.261.7451
www.pasternack.com | e-mail: sales@pasternack.com

SIZE CAGE DRAWN BY PART NUMBER
A 53919 K.DANG PEWAN1085

THE INFORMATION AND
DESIGN IN THIS DOCUMENT
IS THE PROPERTY OF
PASTERNAK CORPORATION.
ALL RIGHTS RESERVED.

SHEET 1 OF 1
SCALE N/A

REV A

THESE COMMODITIES, TECHNOLOGY OR SOFTWARE WERE EXPORTED FROM THE UNITED STATES IN ACCORDANCE WITH THE EXPORT
ADMINISTRATION REGULATIONS. DIVERSION CONTRARY TO U.S. LAW PROHIBITED.