

Standard Gain Horn L-style Antenna Mount, Waveguide Size WR42, IEC R220



PEWAN042-LMT

Features

- Supports WR42 waveguide size
- Supports flange type: M3922/54-001, UG-595/U, UBR 220
- All Aluminum material
- Chromate conversion - inside finish
- Anti corrosion grey paint - outside finish
- Easy mount option and Seamless fit
- L-style mount for tripods

Applications

- Gain Horn or Waveguide Mounting
- Antenna Measurements
- Laboratory use
- Microwave Testing
- Radome Testing
- EMC measurement
- Satellite Antenna Testing

Description

Pasternack's PEWAN042-LMT is an L-style antenna mount specifically designed for gain horn antennas. This L-style antenna mount is built with a waveguide size of WR42 and is compatible with the IEC R220 standard which ensures seamless integration with various equipment. Our high-quality WR42 gain horn L-style antenna mount is suitable for test and measurement applications. This antenna holder from Pasternack is highly portable and easy to handle.

Our IEC R220 gain horn antenna holder has an aluminum body with chromate conversion inside finish, providing protection against environmental factors. This WR42 mount is coated with an anticorrosion gray paint, safeguarding it from moisture and UV radiation. Additional dimensions and specifications for this WR42 gain horn L-style antenna mount are on our downloadable PDF datasheet above.

This gain horn L-style antenna mount is one of the thousands of products available from Pasternack's in-stock inventory with same business day shipment for local, domestic, and international orders. Make your online purchase for our high-quality IEC R220 standard L-style antenna mount and take advantage of the same business day shipping services. For further information on similar products, our expert technical support and knowledgeable sales team can help you get the perfect WR42 gain horn L-style antenna mount for your requirement.

Mechanical Specifications

Body Material	Aluminum
Body Finish	Chromate conversion
Length	3.1 in [78.74 mm]
Width	2.4 in [60.96 mm]
Height	3.6 in [91.44 mm]
Weight	0.5 lbs [226.8 g]

Standard Gain Horn L-style Antenna Mount, Waveguide Size WR42, IEC R220



PEWAN042-LMT

Compliance Certifications (see [product page](#) for current document)

Standard Gain Horn L-style Antenna Mount, Waveguide Size WR42, IEC R220 from Pasternack Enterprises has same day shipment for domestic and International orders. Our RF, microwave and millimeter wave products maintain a 99.4% availability and are part of the broadest selection in the industry.

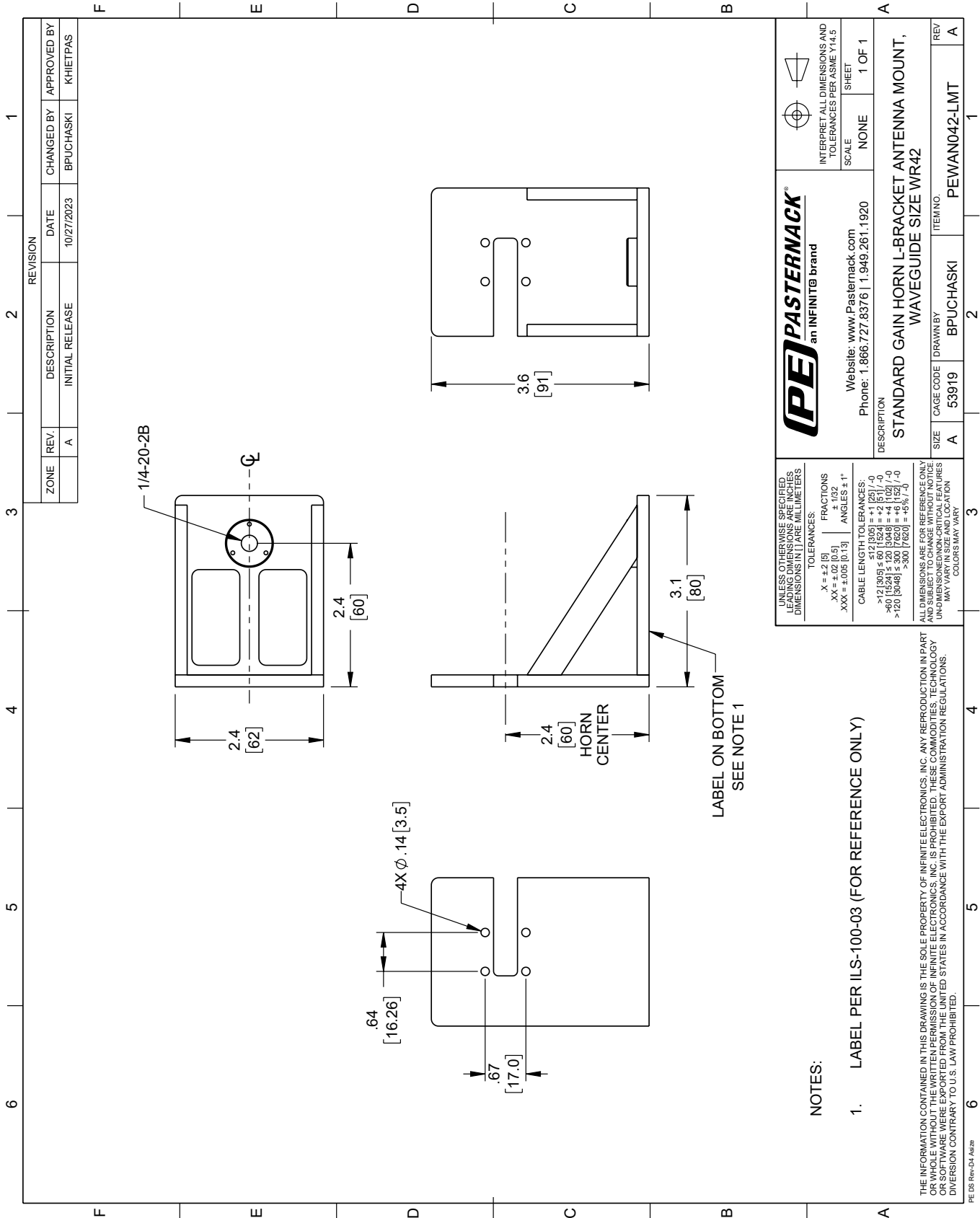
Click the following link (or enter part number in "SEARCH" on website) to obtain additional part information including price, inventory and certifications: [Standard Gain Horn L-style Antenna Mount, Waveguide Size WR42, IEC R220 PEWAN042-LMT](#)

URL: <https://www.pasternack.com/standard-gain-horn-l-style-antenna-mount-waveguide-size-wr42-iec-r220-pewan042-lmt-p.aspx>

The information contained within this document is accurate to the best of our knowledge and representative of the part described herein. It may be necessary to make modifications to the part and/or the documentation of the part in order to implement improvements. Pasternack Enterprises reserves the right to make such changes as required. Unless otherwise stated, all specifications are nominal. Pasternack Enterprises does not make any representation or warranty regarding the suitability of the part described herein for any particular purpose, and Pasternack Enterprises does not assume liability arising out of the use of any part or document.

PEWAN042-LMT CAD Drawing

Standard Gain Horn L-style Antenna Mount, Waveguide Size WR42, IEC R220



REVISION		DATE	CHANGED BY	APPROVED BY
ZONE	REV.	INITIAL RELEASE		
	A	10/27/2023	BPUCHASKI	KHIETPAS

PE PASTERNAK
an INFINITI® brand

Website: www.Pasternack.com
Phone: 1.866.727.8376 | 1.949.261.1920

INTERPRET ALL DIMENSIONS AND TOLERANCES PER ASME Y14.5
SCALE: NONE
SHEET: 1 OF 1

DESCRIPTION: STANDARD GAIN HORN L-BRACKET ANTENNA MOUNT, WAVEGUIDE SIZE WR42

SIZE	A	CAGE CODE	53919	DRAWN BY	BPUCHASKI	ITEM NO.	PEWAN042-LMT	REV	A
------	---	-----------	-------	----------	-----------	----------	--------------	-----	---

UNLESS OTHERWISE SPECIFIED, LEADING DIMENSIONS ARE IN INCHES. DIMENSIONS IN [] ARE MILLIMETERS.

TOLERANCES:
 .X = ±.2 [5] FRACTIONS ± 1/32
 .XX = ±.02 [0.5] ANGLES ± 1°
 .XXX = ±.005 [0.13]

CABLE LENGTH TOLERANCES:
 <12 [305] ≤ 60 [1524] = ±.2 [5] / -0
 >60 [1524] ≤ 120 [3048] = ±.4 [102] / -0
 >120 [3048] ≤ 300 [7620] = ±.6 [15] / -0

ALL DIMENSIONS ARE FOR REFERENCE ONLY. UNDIMENSIONED NON-CRITICAL FEATURES MAY VARY IN SIZE AND LOCATION. COLORS MAY VARY.

THE INFORMATION CONTAINED IN THIS DRAWING IS THE SOLE PROPERTY OF INFINITE ELECTRONICS, INC. ANY REPRODUCTION IN PART OR WHOLE WITHOUT THE WRITTEN PERMISSION OF INFINITE ELECTRONICS, INC. IS PROHIBITED. THESE COMMODITIES, TECHNOLOGY OR SERVICES ARE BEING EXPORTED FROM THE UNITED STATES IN ACCORDANCE WITH THE EXPORT ADMINISTRATION REGULATIONS. DIVERSION CONTRARY TO U.S. LAW PROHIBITED.

NOTES:
 1. LABEL PER ILS-100-03 (FOR REFERENCE ONLY)