



0.88 inch Square Flange, Standard Antenna Mounting Fixture with UG-595/U and UG-1530/U Flanges

Waveguide Accessories Technical Data Sheet

PEWAM0002

Features

- Low Microwave Interference
- 0.88" Square Flange
- UG595/U and UG1530/U Flange Mount
- ¼-20 Threaded Hole for Tripod Mount
- Through Holes for Non-Tripod Mount

Applications

- Antenna Mount
- Antenna Range
- Waveguide Support
- Test Lab

Description

Pasternack's PEWAM0002 is a standard antenna mounting fixture with UG595/U and UG1530/U standard flanges. PEWAM0002 is manufactured using durable and microwave friendly plastic material for minimum reflection. The antenna mount has a ¼-20 threaded hole for tripod mounting and offers four through holes for 6-32 screws for non-tripod mounting.

Mechanical Specifications

Body Material	Plastic
Body Finish	Black
Length	1.8 in [45.72 mm]
Width	1.8 in [45.72 mm]
Height	2.5 in [63.5 mm]
Weight	0.16 lbs [72.57 g]

Compliance Certifications (see [product page](#) for current document)

0.88 inch Square Flange, Standard Antenna Mounting Fixture with UG-595/U and UG-1530/U Flanges from Pasternack Enterprises has same day shipment for domestic and International orders. Our RF, microwave and millimeter wave products maintain a 99.4% availability and are part of the broadest selection in the industry.

Click the following link (or enter part number in "SEARCH" on website) to obtain additional part information including price, inventory and certifications: [0.88 inch Square Flange, Standard Antenna Mounting Fixture with UG-595/U and UG-1530/U Flanges PEWAM0002](#)

URL: <https://www.pasternack.com/pewam0002-p.aspx>

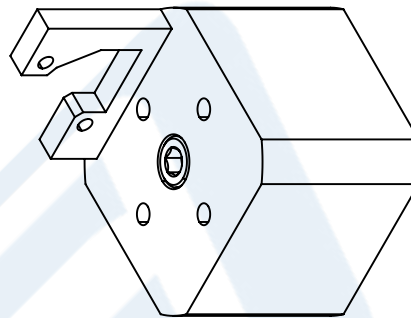
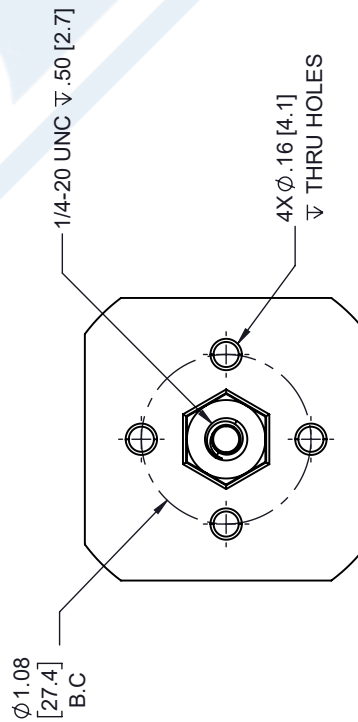
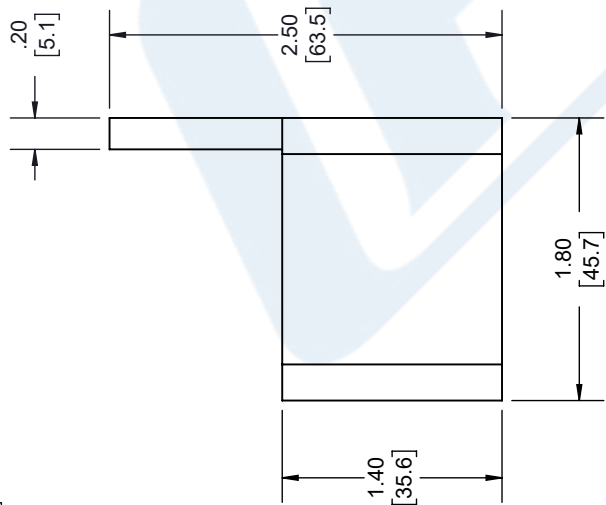
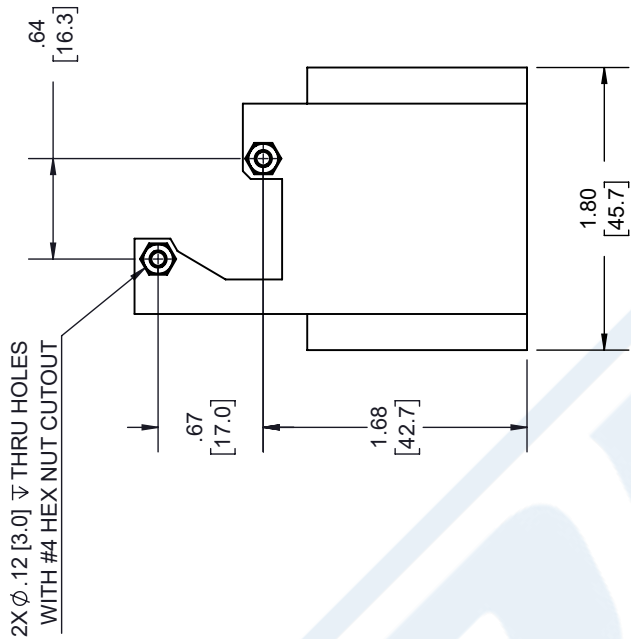
The information contained in this document is accurate to the best of our knowledge and representative of the part described herein. It may be necessary to make modifications to the part and/or the documentation of the part, in order to implement improvements. Pasternack reserves the right to make such changes as required. Unless otherwise stated, all specifications are nominal. Pasternack does not make any representation or warranty regarding the suitability of the part described herein for any particular purpose, and Pasternack does not assume any liability arising out of the use of any part or documentation.

PEWAM0002 CAD Drawing

0.88 inch Square Flange, Standard Antenna Mounting
Fixture with UG-595/U and UG-1530/U Flanges

REVISIONS			
REV.	DESCRIPTION	DATE	APPROVED
A	INITIAL RELEASE	08/14/19	M.MILLER

PASTERNAK
PEWAM0002
D/C: YYWW



UNLESS OTHERWISE SPECIFIED LEADING DIMENSIONS ARE INCHES DIMENSIONS IN [] ARE MILLIMETERS	
TOLERANCES:	FRACTIONS
X±.2 [5.08]	+1/32
XX±.01 [0.25]	ANGLES ± 1°
XXX±.005 [0.13]	
ALL DIMENSIONS SHOWN ARE FOR REFERENCE ONLY.	
THIRD-ANGLE PROJECTION	

(PE) PASTERNAK
an INFINITE brand

Pasternack Enterprises, Inc.
P. O. Box 16759, Irvine, CA 92623.
Phone: 1.949.261.1920 | 1.866.727.8376
Fax: 1.949.261.7451
www.pasternack.com | e-mail: sales@pasternack.com

SIZE: A CAGE: 53919 DRAWN BY: K.DANG PART NUMBER: PEWAM0002

THE INFORMATION AND DESIGN IN THIS DOCUMENT IS THE PROPERTY OF PASTERNAK CORPORATION. ALL RIGHTS RESERVED.	
SHEET 1	OF 1
SCALE	N/A
REV	A

THESE COMMODITIES, TECHNOLOGY OR SOFTWARE WERE EXPORTED FROM THE UNITED STATES IN ACCORDANCE WITH THE EXPORT ADMINISTRATION REGULATIONS. DIVERSION CONTRARY TO U.S. LAW PROHIBITED.