



0.75 inch Diameter Flange, Standard Antenna Mounting Fixture with UG-385/U and UG-387/U Flanges

Waveguide Accessories Technical Data Sheet

PEWAM0000

Features

- Low Microwave Interference
- 0.75" Diameter Flange
- UG385/U and UG387/U Flange Mount
- 1/4-20 Threaded Hole for Tripod Mount
- Through Holes for Non-Tripod Mount

Applications

- Antenna Mount
- Antenna Range
- Waveguide Support
- Test Lab

Description

Pasternack's PEWAM0000 is a standard antenna mounting fixture with UG385/U and UG387/U standard flanges. PEWAM0000 is manufactured using durable and microwave friendly plastic material for minimum reflection. The antenna mount has a 1/4-20 threaded hole for tripod mounting and offers four through holes for 6-32 screws for non-tripod mounting.

Mechanical Specifications

Body Material	Plastic
Body Finish	Black
Length	1.8 in [45.72 mm]
Width	1.8 in [45.72 mm]
Height	2.05 in [52.07 mm]
Weight	0.16 lbs [72.57 g]

Compliance Certifications (see [product page](#) for current document)

0.75 inch Diameter Flange, Standard Antenna Mounting Fixture with UG-385/U and UG-387/U Flanges from Pasternack Enterprises has same day shipment for domestic and International orders. Our RF, microwave and millimeter wave products maintain a 99.4% availability and are part of the broadest selection in the industry.

Click the following link (or enter part number in "SEARCH" on website) to obtain additional part information including price, inventory and certifications: [0.75 inch Diameter Flange, Standard Antenna Mounting Fixture with UG-385/U and UG-387/U Flanges PEWAM0000](#)

URL: <https://www.pasternack.com/pewam0000-p.aspx>

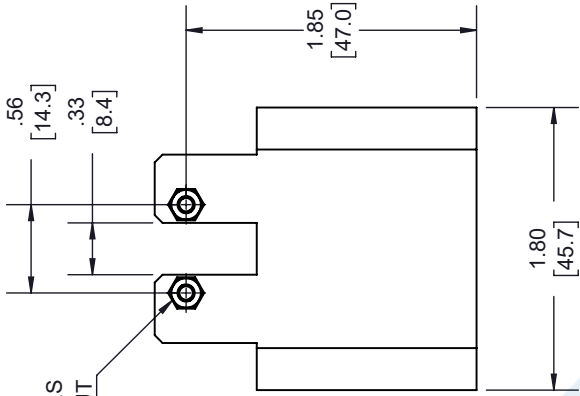
The information contained in this document is accurate to the best of our knowledge and representative of the part described herein. It may be necessary to make modifications to the part and/or the documentation of the part, in order to implement improvements. Pasternack reserves the right to make such changes as required. Unless otherwise stated, all specifications are nominal. Pasternack does not make any representation or warranty regarding the suitability of the part described herein for any particular purpose, and Pasternack does not assume any liability arising out of the use of any part or documentation.

PEWAM0000 CAD Drawing

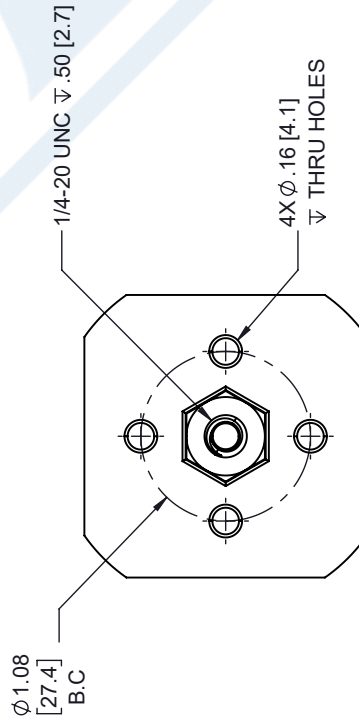
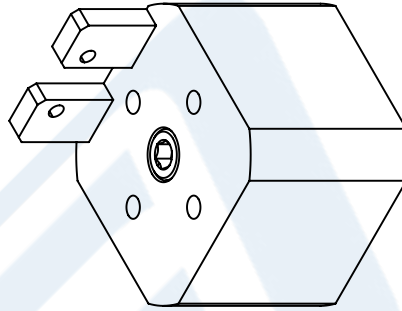
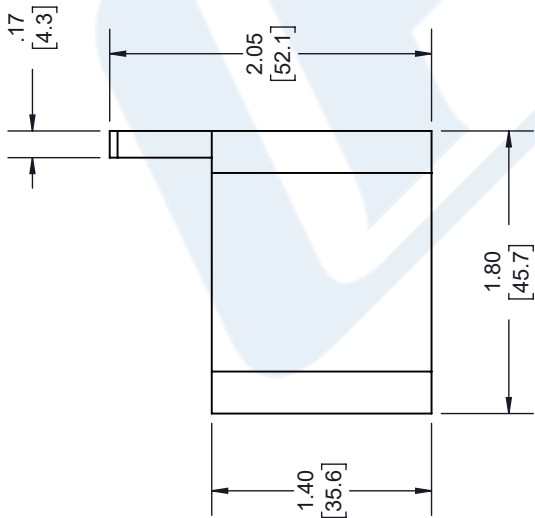
0.75 inch Diameter Flange, Standard Antenna Mounting
Fixture with UG-385/U and UG-387/U Flanges

REVISIONS		
REV.	DESCRIPTION	DATE
A	INITIAL RELEASE	08/14/19
		M.MILLER

PASTERNAK
PEWAM0000
D/C: YYWW



2X Ø.12 [3.0] THRU HOLES
WITH #4 HEX NUT CUTOUT



UNLESS OTHERWISE SPECIFIED
LEADING DIMENSIONS ARE INCHES
DIMENSIONS IN [] ARE MILLIMETERS

TOLERANCES:	FRACTIONS	ANGLES ± 1°
X±.2 [5.08]	+1/32	
XX±.01 [.25]		
XXX±.005 [.13]		

ALL DIMENSIONS SHOWN
ARE FOR REFERENCE ONLY.

THIRD-ANGLE PROJECTION

THE INFORMATION AND
DESIGN IN THIS DOCUMENT
IS THE PROPERTY OF
PASTERNAK CORPORATION.
ALL RIGHTS RESERVED.

(PE) PASTERNAK
an INFINITI® brand

Pasternack Enterprises, Inc.
P.O. Box 16759, Irvine, CA 92623.
Phone: 1.949.261.1920 | 1.866.727.8376
Fax: 1.949.261.7451
www.pasternack.com | e-mail: sales@pasternack.com

SCALE	SHEET	OF	REV
N/A	1	1	A
PART NUMBER	DRAWN BY		
PEWAM0000	K.DANG		
CAGE	SIZE	PART NUMBER	
A	53919	PEWAM0000	

THESE COMMODITIES, TECHNOLOGY OR SOFTWARE WERE EXPORTED FROM THE UNITED STATES IN ACCORDANCE WITH THE EXPORT
ADMINISTRATION REGULATIONS. DIVERSION CONTRARY TO U.S. LAW PROHIBITED.