



## WR-90 Waveguide Shim, UG-Cover Square flange, 5mm Brass

### Waveguide Accessories Technical Data Sheet

PEW90FS5

#### Features

- WR-90 Waveguide Shim
- Square UG-Cover Flange Configuration
- Frequency Range: 8.2 GHz to 12.4 GHz
- 5 mm Thick Brass Construction

#### Description

PEW90FS5 is a WR-90 waveguide shim with operating frequency range from 8.2 GHz to 12.4 GHz. This waveguide shim is fabricated with 5 mm thick brass by high precision manufacturing process. PEW90FS5 can be used to bridge gaps between WR-90 waveguide components with UG-Cover Square flanges. Pasternack offers wide selection of waveguide components with high performance available in stock and same-day shipping to customers worldwide.

#### Mechanical Specifications

Body Material	Brass
Body Finish	Anticorrosion grey paint
Length	0.197 in [5][mm]
Width	1.629 in [41.38][mm]
Height	1.629 in [41.38][mm]
Weight	0.132 lbs [59.87][g]

#### Compliance Certifications (see [product page](#) for current document)

WR-90 Waveguide Shim, UG-Cover Square flange, 5mm Brass from Pasternack Enterprises has same day shipment for domestic and International orders. Our RF, microwave and millimeter wave products maintain a 99.4% availability and are part of the broadest selection in the industry.

Click the following link (or enter part number in "SEARCH" on website) to obtain additional part information including price, inventory and certifications: [WR-90 Waveguide Shim, UG-Cover Square flange, 5mm Brass PEW90FS5](#)

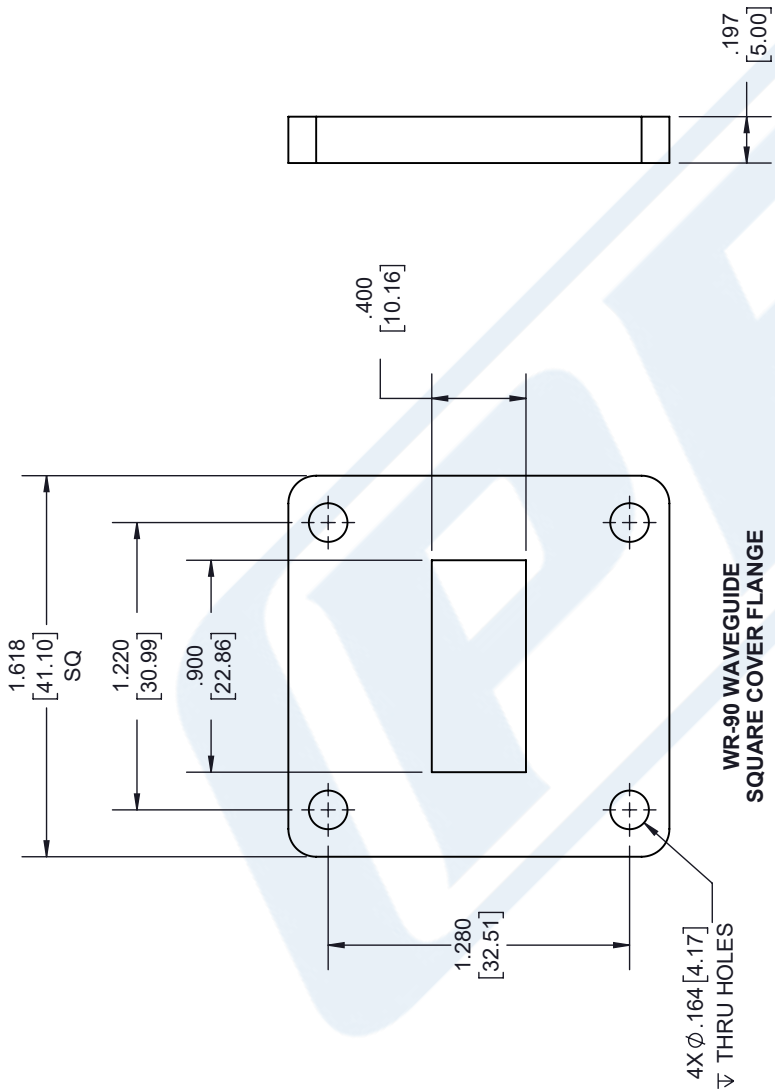
URL: <https://www.pasternack.com/pew90fs5-p.aspx>

The information contained in this document is accurate to the best of our knowledge and representative of the part described herein. It may be necessary to make modifications to the part and/or the documentation of the part, in order to implement improvements. Pasternack reserves the right to make such changes as required. Unless otherwise stated, all specifications are nominal. Pasternack does not make any representation or warranty regarding the suitability of the part described herein for any particular purpose, and Pasternack does not assume any liability arising out of the use of any part or documentation.

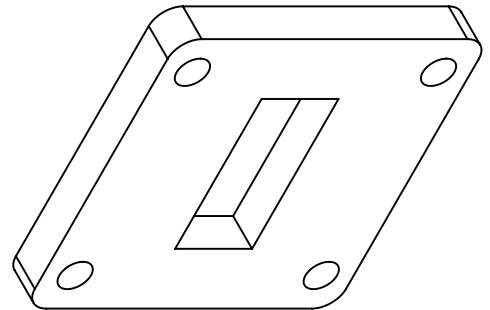
# PEW90FS5 CAD Drawing

WR-90 Waveguide Shim, UG-Cover Square flange, 5mm Brass

REVISIONS			
REV.	DESCRIPTION	DATE	APPROVED
A	INITIAL RELEASE	2/3/2020	S.PONG



WR-90 WAVEGUIDE  
SQUARE COVER FLANGE



UNLESS OTHERWISE SPECIFIED  
LEADING DIMENSIONS ARE INCHES  
DIMENSIONS IN [ ] ARE MILLIMETERS

TOLERANCES:  
 .X = ±.2 [5.08]    FRACTIONS ± 1/32  
 .XX = ±.02 [ .51]    ANGLES ± 1°  
 .XXX = ±.005 [ .13]

CABLE LENGTH (L), TOLERANCES:  
 L ≤ 12 [305] = +1 [25] / -0  
 12 [305] < L ≤ 60 [1524] = +2 [51] / -0  
 60 [1524] < L ≤ 120 [3048] = +4 [102] / -0  
 120 [3048] < L ≤ 300 [7620] = +6 [152] / -0  
 300 [7620] < L = +5% / -0

ALL DIMENSIONS SHOWN  
ARE FOR REFERENCE ONLY.

**PE** **PASTERNAK**  
an INFINITE brand

Pasternack Enterprises, Inc.  
 P. O. Box 16759, Irvine, CA 92623.  
 Phone: 1.949.261.1920 | 1.866.727.8376  
 Fax: 1.949.261.7451  
 Website: www.pasternack.com  
 E-mail: sales@pasternack.com

THIRD-ANGLE PROJECTION

THE INFORMATION AND  
DESIGN IN THIS DOCUMENT  
IS THE PROPERTY OF  
PASTERNAK CORPORATION  
ALL RIGHTS RESERVED.

SHEET 1 OF 1  
SCALE N/A

SIZE A    CAGE CODE 53919    DRAWN BY K.DANG    ITEM NO. PEW90FS5    REV A

THESE COMMODITIES, TECHNOLOGY OR SOFTWARE WERE EXPORTED FROM THE UNITED STATES IN ACCORDANCE WITH THE EXPORT ADMINISTRATION REGULATIONS. DIVERSION CONTRARY TO U.S. LAW PROHIBITED.