



WR-12 90 Degree Right-hand Waveguide Twist with a UG-387/U-Mod Flange Operating from 90 GHz to 140 GHz

Waveguide Twists Technical Data Sheet

PEW8TW0002

Features

- WR-8 Waveguide
- 90 to 140 GHz Frequency Range
- UG-387/U-Mod Flange
- 90° Right Hand (Clockwise) Twist
- 1.15:1 Typical VSWR

Applications

- Instrumentation
- Precision measurements
- Prototyping and characterization

Description

Pasternack's PEW8TW0002 is a 90 degree, Right Hand, WR-8 waveguide twist that operates from 90 GHz to 140 GHz. This waveguide twist offers a typical 0.3 dB and a typical 1.15 VSWR. The input of this waveguide twist has a UG-387/U-M Flange. PEW8TW0002 is part of over 40,000 RF, microwave and millimeter wave components. Our WR-8 waveguide twist will ship worldwide the same day it is purchased along with our other RF components.

Electrical Specifications

Description	Minimum	Typical	Maximum	Units
Frequency Range	90		140	GHz
VSWR		1.15:1		
Insertion Loss		0.3		dB

Electrical Specification Notes:

VSWR measurement is the representation of the load used for testing

Mechanical Specifications

Waveguide Size WR-12
 Section Length 1.25 in [[31.75 mm]]

Description	Flange 1	Waveguide	Flange 2
Interface	UG-387/U-Mod	WR-12	UG-387/U-Mod
Material	Oxygen Free Hard Copper	Oxygen Free Hard Copper	Oxygen Free Hard Copper
Plating	Gold	Gold	Gold
Color	Gold	Gold	Gold

Compliance Certifications (see [product page](#) for current document)

Notes:

Click the following link (or enter part number in "SEARCH" on website) to obtain additional part information including price, inventory and certifications: [WR-12 90 Degree Right-hand Waveguide Twist with a UG-387/U-Mod Flange Operating from 90 GHz to 140 GHz PEW8TW0002](#)



WR-12 90 Degree Right-hand Waveguide Twist with a UG-387/U-Mod Flange Operating from 90 GHz to 140 GHz

Waveguide Twists Technical Data Sheet

PEW8TW0002

WR-12 90 Degree Right-hand Waveguide Twist with a UG-387/U-Mod Flange Operating from 90 GHz to 140 GHz from Pasternack Enterprises has same day shipment for domestic and International orders. Our RF, microwave and millimeter wave products maintain a 99.4% availability and are part of the broadest selection in the industry.

Click the following link (or enter part number in "SEARCH" on website) to obtain additional part information including price, inventory and certifications: [WR-12 90 Degree Right-hand Waveguide Twist with a UG-387/U-Mod Flange Operating from 90 GHz to 140 GHz PEW8TW0002](https://www.pasternack.com/wr-12-90-waveguide-twist-ug387mod-90-140-ghz-pew8tw0002-p.aspx)

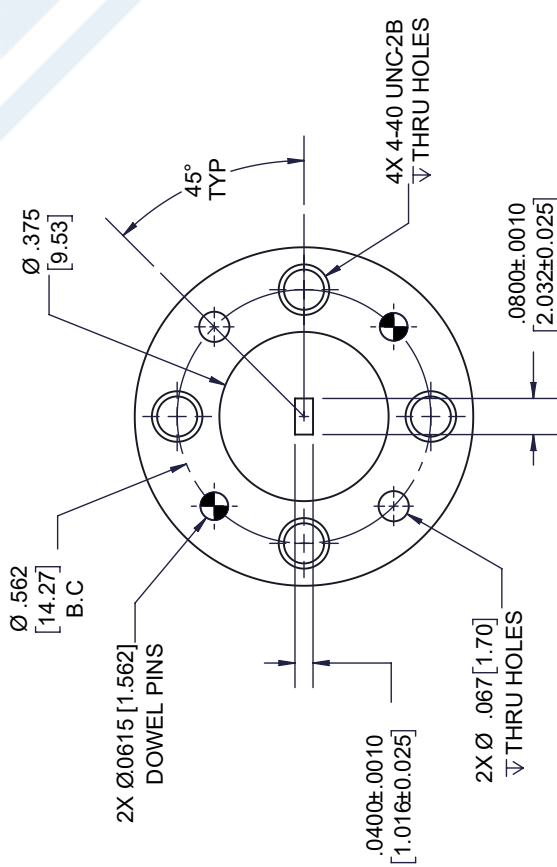
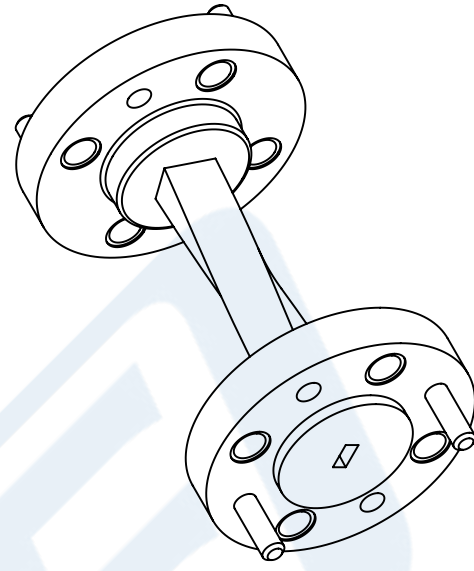
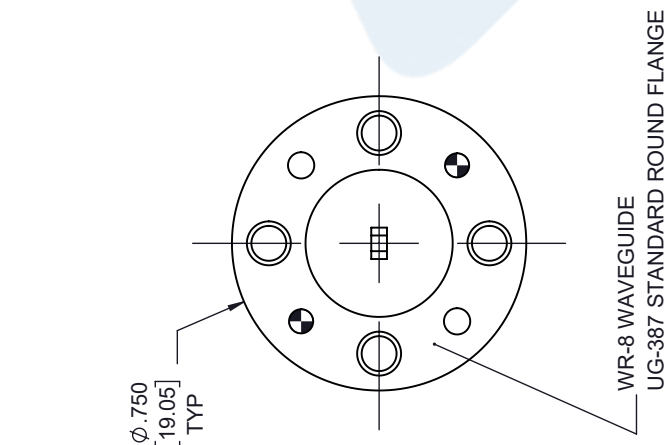
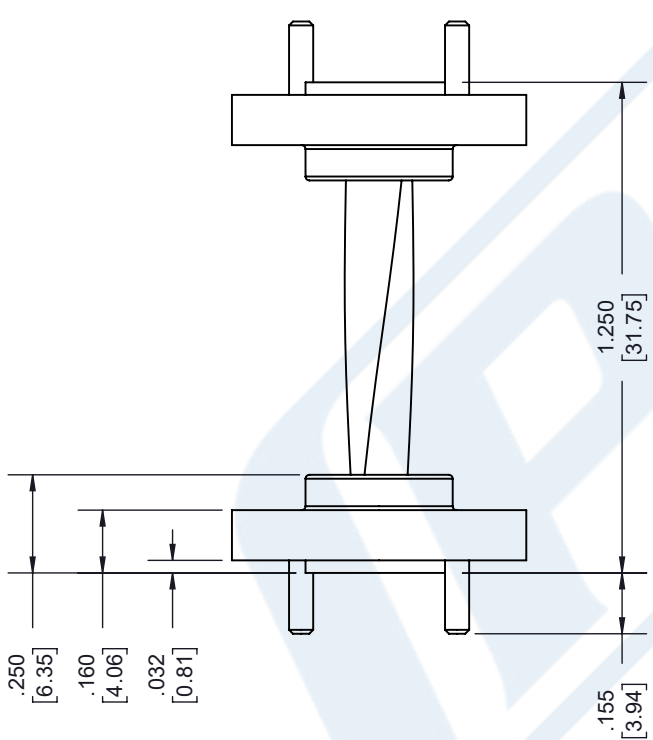
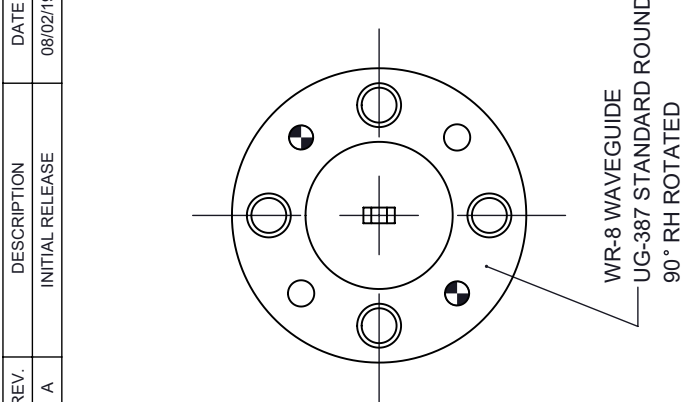
URL: <https://www.pasternack.com/wr-12-90-waveguide-twist-ug387mod-90-140-ghz-pew8tw0002-p.aspx>

The information contained in this document is accurate to the best of our knowledge and representative of the part described herein. It may be necessary to make modifications to the part and/or the documentation of the part, in order to implement improvements. Pasternack reserves the right to make such changes as required. Unless otherwise stated, all specifications are nominal. Pasternack does not make any representation or warranty regarding the suitability of the part described herein for any particular purpose, and Pasternack does not assume any liability arising out of the use of any part or documentation.

PEW8TW0002 CAD Drawing

WR-12 90 Degree Right-hand Waveguide Twist with a UG-387/U-Mod Flange Operating from 90 GHz to 140 GHz

REVISIONS			
REV.	DESCRIPTION	DATE	APPROVED
A	INITIAL RELEASE	08/02/19	S.PONG



FLANGE DETAIL

UNLESS OTHERWISE SPECIFIED LEADING DIMENSIONS ARE INCHES DIMENSIONS IN [] ARE MILLIMETERS

TOLERANCES:
X±.2 [5.08] FRACTIONS
XX±.01 [0.25] ±1/32
XXX±.005 [0.13] ANGLES ± 1°

ALL DIMENSIONS SHOWN ARE FOR REFERENCE ONLY.
THIRD-ANGLE PROJECTION

(PE) PASTERNAK
an INFINIT® brand

Pasternack Enterprises, Inc.
P. O. Box 16759, Irvine, CA 92623.
Phone: 1.949.261.1920 | 1.866.727.8376
Fax: 1.949.261.7451
www.pasternack.com | e-mail: sales@pasternack.com

THE INFORMATION AND DESIGN IN THIS DOCUMENT IS THE PROPERTY OF PASTERNAK CORPORATION. ALL RIGHTS RESERVED.

SHEET 1 OF 1
SCALE N/A

SIZE A
CAGE 53919
DRAWN BY K.DANG
PART NUMBER PEW8TW0002
REV A

THESE COMMODITIES, TECHNOLOGY OR SOFTWARE WERE EXPORTED FROM THE UNITED STATES IN ACCORDANCE WITH THE EXPORT ADMINISTRATION REGULATIONS. DIVERSION CONTRARY TO U.S. LAW PROHIBITED.