



WR-8 Instrumentation Grade Waveguide E-Bend with UG-383/U-Mod Flange Operating from 90 GHz to 140 GHz

TECHNICAL DATA SHEET

PEW8B0000

Pasternack's PEW8B0000 is an E-Plane, 90 degree, WR-8 waveguide bend that operates from 90 GHz to 140 GHz. This waveguide bend offers a typical 0.3 dB insertion loss and a typical 1.15 VSWR. The input of this straight waveguide section has a UG-387/U-M Flange. PEW8B0000 is part of over 40,000 RF, microwave and millimeter wave components. Our instrumentation grade WR-8 waveguide bend will ship worldwide the same day it is purchased along with our other RF components.

- 90° Bend
- E-Plane
- WR-8 Waveguide
- UG-387/U-M Flange
- 90 GHz to 140 GHz Frequency Range
- Comprehensive waveguide offering also includes Straight Sections, H-Bends, Waveguide to Coax Adapters, Filters, Terminations, and more.

Electrical Specifications

Description	Minimum	Typical	Maximum	Units
Frequency Range	90		140	GHz
VSWR		1.15:1		
Insertion Loss		0.3		dB

Mechanical Specifications

Waveguide Size WR-8
 Waveguide Design Instrumentation Grade

Description	Flange 1	Waveguide	Flange 2
Flange Type	Round Cover		Round Cover
Flange Designation	UG-383/U-Mod	WR-8	UG-383/U-Mod
Material	Oxygen Free Hard Copper	Oxygen Free Hard Copper	Oxygen Free Hard Copper
Plating	Gold	Gold	Gold

Size
 Weight 0.044 lbs [19.96 g]

Compliance Certifications (see [product page](#) for current document)

Plotted and Other Data

Notes:

Click the following link (or enter part number in "SEARCH" on website) to obtain additional part information including price, inventory and certifications: [WR-8 Instrumentation Grade Waveguide E-Bend with UG-383/U-Mod Flange Operating from 90 GHz to 140 GHz PEW8B0000](#)



WR-8 Instrumentation Grade Waveguide E-Bend with UG-383/U-Mod Flange Operating from 90 GHz to 140 GHz

TECHNICAL DATA SHEET

PEW8B0000

WR-8 Instrumentation Grade Waveguide E-Bend with UG-383/U-Mod Flange Operating from 90 GHz to 140 GHz from Pasternack Enterprises has same day shipment for domestic and International orders. Our RF, microwave and millimeter wave products maintain a 99.4% availability and are part of the broadest selection in the industry.

Click the following link (or enter part number in "SEARCH" on website) to obtain additional part information including price, inventory and certifications: [WR-8 Instrumentation Grade Waveguide E-Bend with UG-383/U-Mod Flange Operating from 90 GHz to 140 GHz PEW8B0000](https://www.pasternack.com/wr-8-waveguide-e-bend-ug-383-mod-flange-90-140-ghz-pew8b0000-p.aspx)

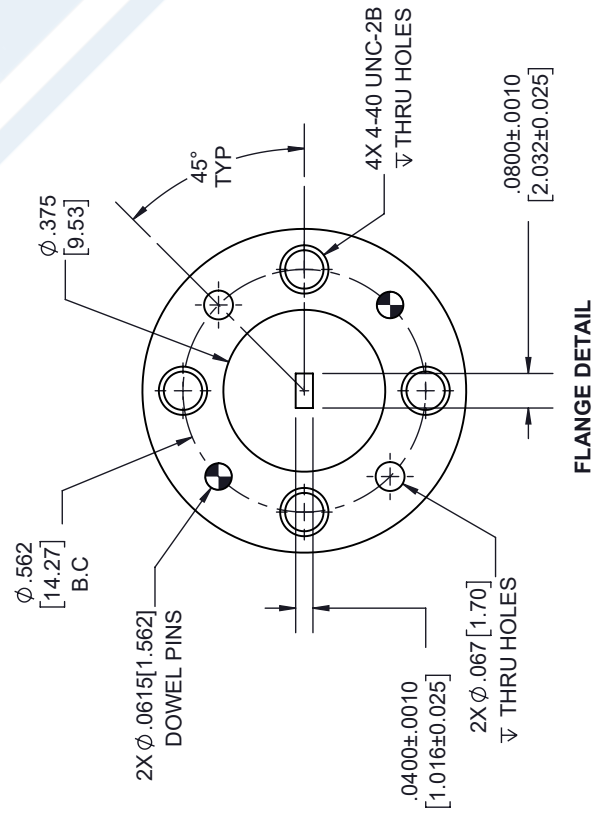
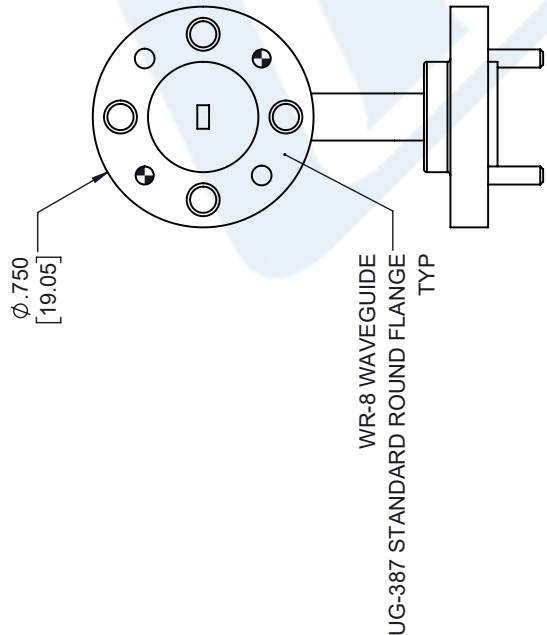
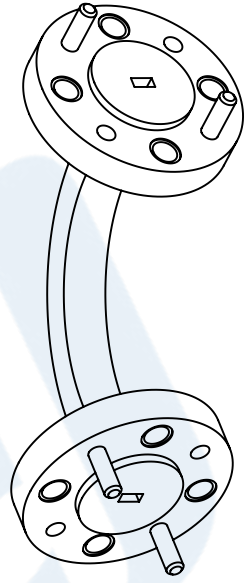
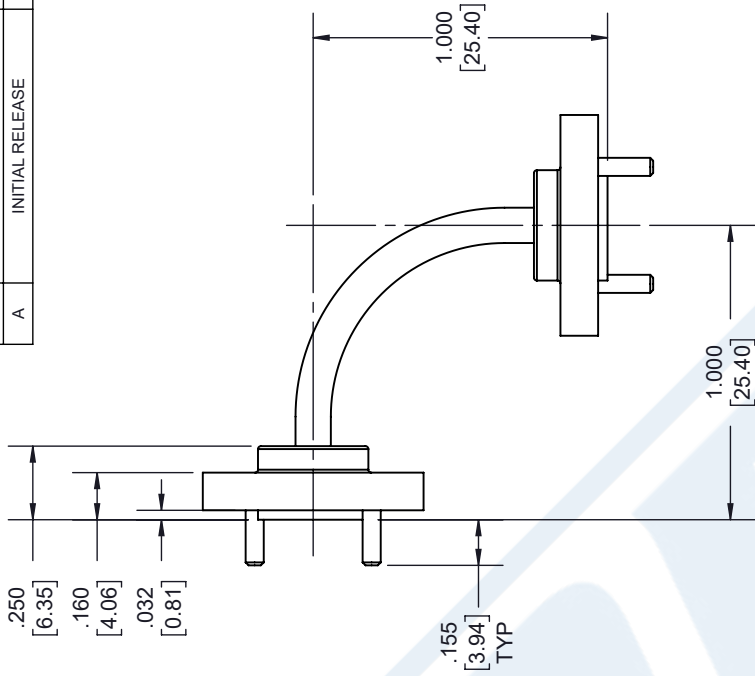
URL: <https://www.pasternack.com/wr-8-waveguide-e-bend-ug-383-mod-flange-90-140-ghz-pew8b0000-p.aspx>

The information contained in this document is accurate to the best of our knowledge and representative of the part described herein. It may be necessary to make modifications to the part and/or the documentation of the part, in order to implement improvements. Pasternack reserves the right to make such changes as required. Unless otherwise stated, all specifications are nominal. Pasternack does not make any representation or warranty regarding the suitability of the part described herein for any particular purpose, and Pasternack does not assume any liability arising out of the use of any part or documentation.

PEW8B0000 CAD Drawing

WR-8 Instrumentation Grade Waveguide E-Bend with UG-383/U-Mod Flange Operating from 90 GHz to 140 GHz

REVISIONS			
REV.	DESCRIPTION	DATE	APPROVED
A	INITIAL RELEASE	08/01/19	S.PONG



<p>UNLESS OTHERWISE SPECIFIED LEADING DIMENSIONS ARE INCHES DIMENSIONS IN [] ARE MILLIMETERS</p> <p>TOLERANCES:</p> <table border="0"> <tr> <td>X±.2</td> <td>[5.08]</td> <td>FRACTIONS</td> </tr> <tr> <td>XX±.01</td> <td>[.25]</td> <td>+1/32</td> </tr> <tr> <td>XXX±.005</td> <td>[.13]</td> <td>ANGLES ± 1°</td> </tr> </table> <p>ALL DIMENSIONS SHOWN ARE FOR REFERENCE ONLY.</p> <p>THIRD-ANGLE PROJECTION</p>	X±.2	[5.08]	FRACTIONS	XX±.01	[.25]	+1/32	XXX±.005	[.13]	ANGLES ± 1°	<p>(PE) PASTERNAK an INFINITO brand</p> <p>Pasternack Enterprises, Inc. P. O. Box 16759, Irvine, CA 92623. Phone: 1.949.261.1920 1.866.727.8376 Fax: 1.949.261.7451 www.pasternack.com e-mail: sales@pasternack.com</p>	<p>THE INFORMATION AND DESIGN IN THIS DOCUMENT IS THE PROPERTY OF PASTERNAK CORPORATION. ALL RIGHTS RESERVED.</p>
	X±.2	[5.08]	FRACTIONS								
XX±.01	[.25]	+1/32									
XXX±.005	[.13]	ANGLES ± 1°									
<p>SHEET 1 OF 1</p> <p>SCALE N/A</p>	<p>REV A</p>										
<p>SIZE A</p> <p>CAGE 53919</p> <p>DRAWN BY K.DANG</p> <p>PART NUMBER PEW8B0000</p>											

THESE COMMODITIES, TECHNOLOGY OR SOFTWARE WERE EXPORTED FROM THE UNITED STATES IN ACCORDANCE WITH THE EXPORT ADMINISTRATION REGULATIONS. DIVERSION CONTRARY TO U.S. LAW PROHIBITED.