



WR-62 Waveguide Shim, UG-Cover Square flange, 5mm Brass

Waveguide Accessories Technical Data Sheet

PEW62FS5

Features

- WR-62 Waveguide Shim
- Square UG-Cover Flange Configuration
- Frequency Range: 11.9 GHz to 18 GHz
- 5 mm Thick Brass Construction

Description

PEW62FS5 is a WR-62 waveguide shim with operating frequency range from 11.9 GHz to 18 GHz. This waveguide shim is fabricated with 5 mm thick brass by high precision manufacturing process. PEW62FS5 can be used to bridge gaps between WR-62 waveguide components with UG-Cover Square flanges. Pasternack offers wide selection of waveguide components with high performance available in stock and same-day shipping to customers worldwide.

Mechanical Specifications

Body Material	Brass
Body Finish	Anticorrosion grey paint
Length	0.197 in [5][mm]
Width	1.311 in [33.3][mm]
Height	1.311 in [33.3][mm]
Weight	0.088 lbs [39.92][g]

Compliance Certifications (see [product page](#) for current document)

WR-62 Waveguide Shim, UG-Cover Square flange, 5mm Brass from Pasternack Enterprises has same day shipment for domestic and International orders. Our RF, microwave and millimeter wave products maintain a 99.4% availability and are part of the broadest selection in the industry.

Click the following link (or enter part number in "SEARCH" on website) to obtain additional part information including price, inventory and certifications: [WR-62 Waveguide Shim, UG-Cover Square flange, 5mm Brass PEW62FS5](#)

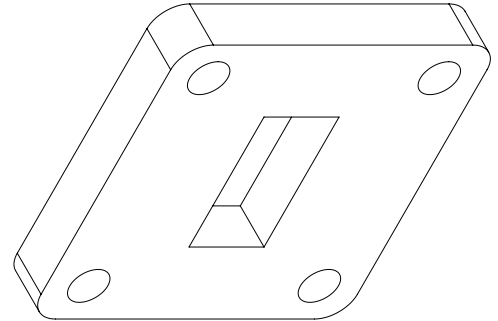
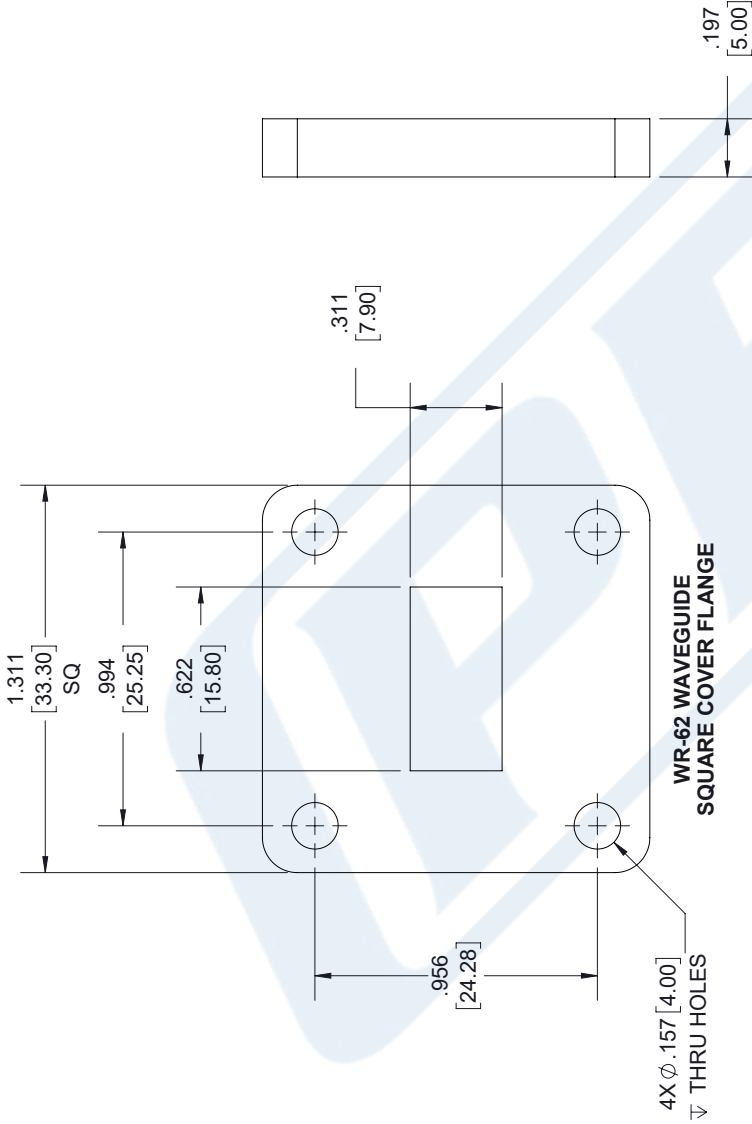
URL: <https://www.pasternack.com/pew62fs5-p.aspx>

The information contained in this document is accurate to the best of our knowledge and representative of the part described herein. It may be necessary to make modifications to the part and/or the documentation of the part, in order to implement improvements. Pasternack reserves the right to make such changes as required. Unless otherwise stated, all specifications are nominal. Pasternack does not make any representation or warranty regarding the suitability of the part described herein for any particular purpose, and Pasternack does not assume any liability arising out of the use of any part or documentation.

PEW62FS5 CAD Drawing

WR-62 Waveguide Shim, UG-Cover Square flange, 5mm Brass

REVISIONS		
REV.	DESCRIPTION	DATE
A	INITIAL RELEASE	1/21/2020
		APPROVED
		S-PONG



UNLESS OTHERWISE SPECIFIED
LEADING DIMENSIONS ARE INCHES
DIMENSIONS IN [] ARE MILLIMETERS

TOLERANCES:
 .X = ± .2 [5.08] FRACTIONS ± 1/32
 .XX = ± .02 [.51] ANGLES ± 1°
 .XXX = ± .005 [.13]

CABLE LENGTH (L) TOLERANCES:
 L ≤ 12 [305] = +1 [25] / -0
 12 [305] < L ≤ 60 [1524] = +2 [51] / -0
 60 [1524] < L ≤ 120 [3048] = +4 [102] / -0
 120 [3048] < L ≤ 300 [7620] = +6 [152] / -0
 300 [7620] < L = +5% L / -0

ALL DIMENSIONS SHOWN
ARE FOR REFERENCE ONLY.

PE **PASTERNAK**
an INFINITO brand

Pasternack Enterprises, Inc.
 P. O. Box 16759, Irvine, CA 92623.
 Phone: 1.949.261.1920 | 1.866.727.8376
 Fax: 1.949.261.7451
 Website: www.pasternack.com
 E-mail: sales@pasternack.com

THIRD-ANGLE PROJECTION

THE INFORMATION AND DESIGN IN THIS DOCUMENT IS THE PROPERTY OF PASTERNAK CORPORATION. ALL RIGHTS RESERVED.

SHEET 1 OF 1
SCALE N/A

ITEM NO. PEW62FS5
DRAWN BY K.DANG
CAGE CODE A 53919

REV A

THESE COMMODITIES, TECHNOLOGY OR SOFTWARE WERE EXPORTED FROM THE UNITED STATES IN ACCORDANCE WITH THE EXPORT ADMINISTRATION REGULATIONS. DIVERSION CONTRARY TO U.S. LAW PROHIBITED.