



## WR-5 45 Degree Right-hand Waveguide Twist with a UG-387/U-Mod Flange Operating from 140 GHz to 220 GHz

### Waveguide Twists Technical Data Sheet

PEW5TW0000

#### Features

- WR-5 Waveguide
- 140 to 220 GHz Frequency Range
- UG-387/U-Mod Flange
- 45° Right Hand (Clockwise) Twist
- 1.15:1 Typical VSWR

#### Applications

- Instrumentation
- Precision measurements
- Prototyping and characterization

#### Description

Pasternack's PEW5TW0000 is a 45 degree, Right Hand, WR-5 waveguide twist that operates from 140 GHz to 220 GHz. This waveguide twist offers a typical 1.15 VSWR. The input of this waveguide twist has a UG-387/U-M Flange. PEW5TW0000 is part of over 40,000 RF, microwave and millimeter wave components. Our WR-5 waveguide twist will ship worldwide the same day it is purchased along with our other RF components.

#### Electrical Specifications

Description	Minimum	Typical	Maximum	Units
Frequency Range	140		220	GHz
VSWR		1.15:1		

Electrical Specification Notes:

VSWR measurement is the representation of the load used for testing

#### Mechanical Specifications

Waveguide Size WR-5  
 Section Length 1.25 in [[31.75 mm]]

Description	Flange 1	Waveguide	Flange 2
Interface	UG-387/U-Mod	WR-5	UG-387/U-Mod
Material	Oxygen Free Hard Copper	Oxygen Free Hard Copper	Oxygen Free Hard Copper
Plating	Gold	Gold	Gold
Color	Gold	Gold	Gold

#### Compliance Certifications (see [product page](#) for current document)

Notes:

Click the following link (or enter part number in "SEARCH" on website) to obtain additional part information including price, inventory and certifications: [WR-5 45 Degree Right-hand Waveguide Twist with a UG-387/U-Mod Flange Operating from 140 GHz to 220 GHz PEW5TW0000](#)



## WR-5 45 Degree Right-hand Waveguide Twist with a UG-387/U-Mod Flange Operating from 140 GHz to 220 GHz

### Waveguide Twists Technical Data Sheet

PEW5TW0000

WR-5 45 Degree Right-hand Waveguide Twist with a UG-387/U-Mod Flange Operating from 140 GHz to 220 GHz from Pasternack Enterprises has same day shipment for domestic and International orders. Our RF, microwave and millimeter wave products maintain a 99.4% availability and are part of the broadest selection in the industry.

Click the following link (or enter part number in "SEARCH" on website) to obtain additional part information including price, inventory and certifications: [WR-5 45 Degree Right-hand Waveguide Twist with a UG-387/U-Mod Flange Operating from 140 GHz to 220 GHz PEW5TW0000](https://www.pasternack.com/wr-5-45-waveguide-twist-ug387mod-140-220-ghz-pew5tw0000-p.aspx)

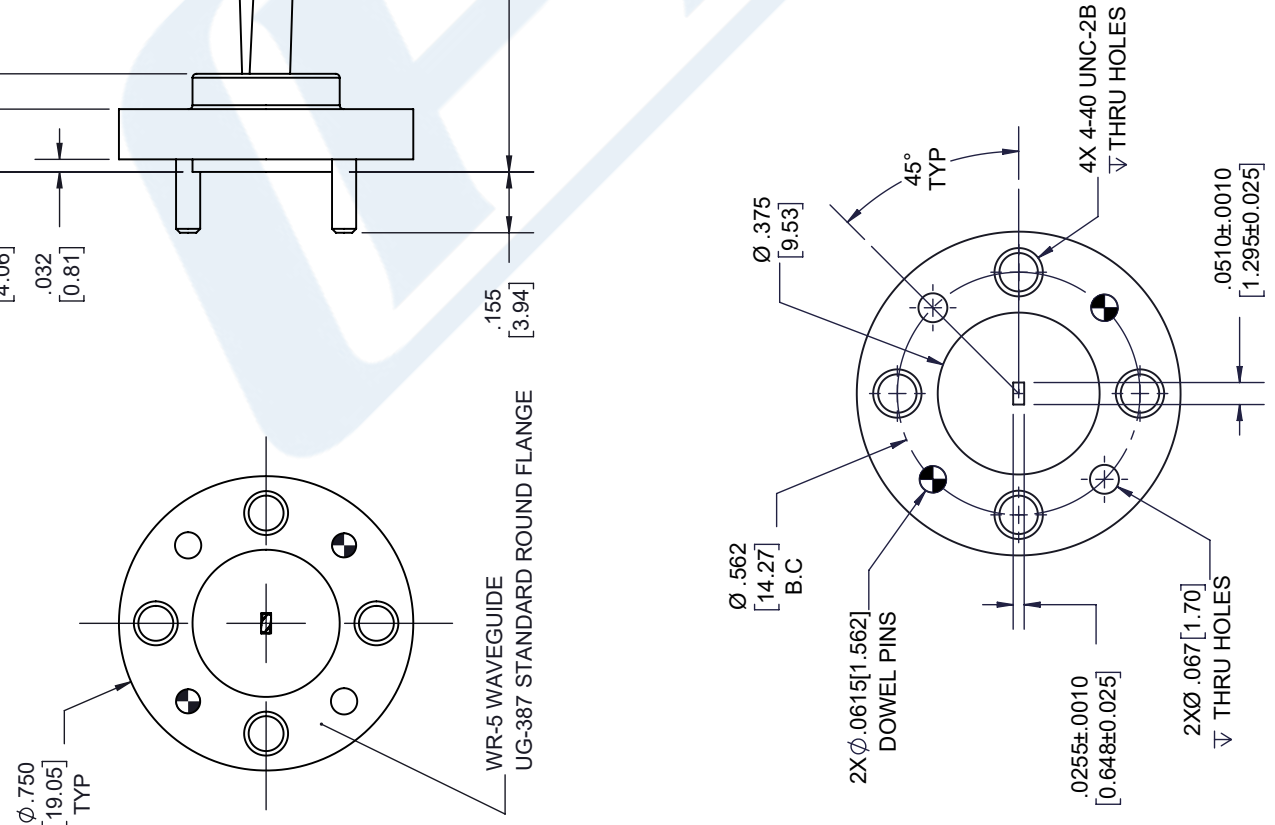
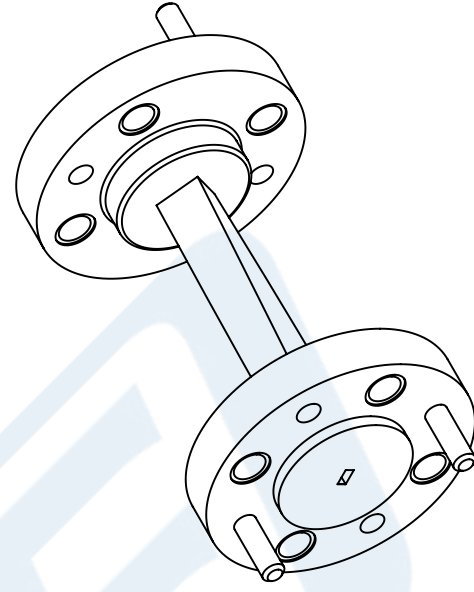
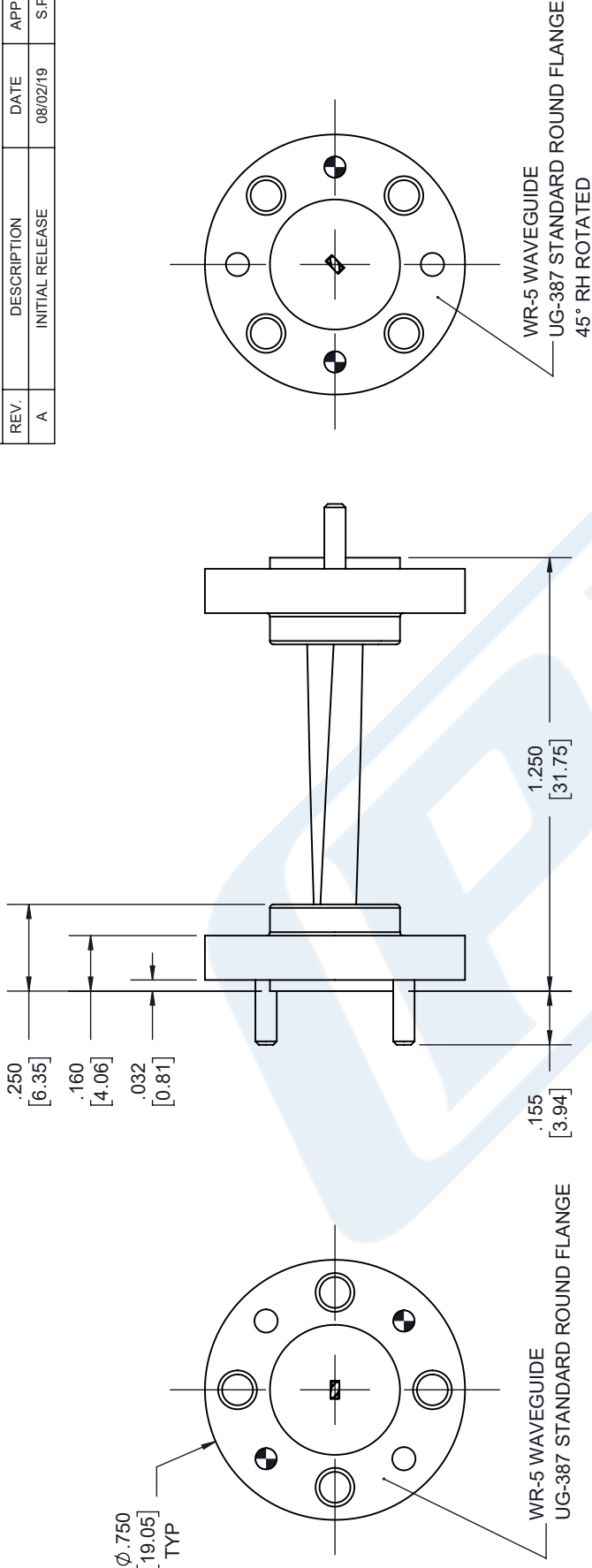
URL: <https://www.pasternack.com/wr-5-45-waveguide-twist-ug387mod-140-220-ghz-pew5tw0000-p.aspx>

The information contained in this document is accurate to the best of our knowledge and representative of the part described herein. It may be necessary to make modifications to the part and/or the documentation of the part, in order to implement improvements. Pasternack reserves the right to make such changes as required. Unless otherwise stated, all specifications are nominal. Pasternack does not make any representation or warranty regarding the suitability of the part described herein for any particular purpose, and Pasternack does not assume any liability arising out of the use of any part or documentation.

# PEW5TW0000 CAD Drawing

WR-5 45 Degree Right-hand Waveguide Twist with a UG-387/U-Mod Flange Operating from 140 GHz to 220 GHz

REVISIONS			
REV.	DESCRIPTION	DATE	APPROVED
A	INITIAL RELEASE	08/02/19	S.PONG



UNLESS OTHERWISE SPECIFIED LEADING DIMENSIONS ARE INCHES DIMENSIONS IN [ ] ARE MILLIMETERS

TOLERANCES: X $\pm$  2 [5.08] FRACTIONS XX $\pm$  01 [ .25]  $\pm$  1/32 XXX $\pm$  .005 [ .13] ANGLES  $\pm$  1°

ALL DIMENSIONS SHOWN ARE FOR REFERENCE ONLY. THIRD-ANGLE PROJECTION

THE INFORMATION AND DESIGN IN THIS DOCUMENT IS THE PROPERTY OF PASTERNAK CORPORATION. ALL RIGHTS RESERVED.

SHEET 1 OF 1 SCALE N/A

www.pasternack.com | e-mail: sales@pasternack.com

PE PASTERNAK an INFINITE brand

Pasternack Enterprises, Inc. P.O. Box 16759, Irvine, CA 92623. Phone: 1.949.261.1920 | 1.866.727.8376 Fax: 1.949.261.7451

SIZE A CAGE 53919 DRAWN BY K.DANG PART NUMBER PEW5TW0000 REV A

THESE COMMODITIES, TECHNOLOGY OR SOFTWARE WERE EXPORTED FROM THE UNITED STATES IN ACCORDANCE WITH THE EXPORT ADMINISTRATION REGULATIONS. DIVERSION CONTRARY TO U.S. LAW PROHIBITED.