



WR-340 Waveguide Short Plate, CPR-340F Flange, 10mm Aluminum

Waveguide Accessories Technical Data Sheet

PEW340SP10

Features

- WR-340 Waveguide Short Plate
- CPR-340F Flange Configuration
- Frequency Range: 2.17 GHz to 3.3 GHz
- Min VSWR: 60:1
- 10 mm Thick Aluminum Construction

Description

PEW340SP10 is a fixed WR-340 waveguide short (shorting plate) with operating frequency range from 2.17 GHz to 3.3 GHz. This waveguide short is fabricated with 10 mm thick aluminum by high precision manufacturing process. PEW340SP10 has the same configuration as CPR-340F flange and provides high reflection short circuit for WR-340 waveguide components. Along with Pasternack's waveguide shim products, the waveguide short is ideal for TRL (Thru, Reflect, Line) calibration for RF test instruments. Pasternack offers a wide selection of waveguide components with high performance available in stock and same-day shipping to customers worldwide.

Mechanical Specifications

Body Material	Aluminum
Body Finish	Anticorrosion grey paint
Length	0.394 in [10.01 mm]
Width	5.437 in [138.1 mm]
Height	3.752 in [95.3 mm]
Weight	0.882 lbs [400.07 g]

Compliance Certifications (see [product page](#) for current document)

WR-340 Waveguide Short Plate, CPR-340F Flange, 10mm Aluminum from Pasternack Enterprises has same day shipment for domestic and International orders. Our RF, microwave and millimeter wave products maintain a 99.4% availability and are part of the broadest selection in the industry.

Click the following link (or enter part number in "SEARCH" on website) to obtain additional part information including price, inventory and certifications: [WR-340 Waveguide Short Plate, CPR-340F Flange, 10mm Aluminum PEW340SP10](#)

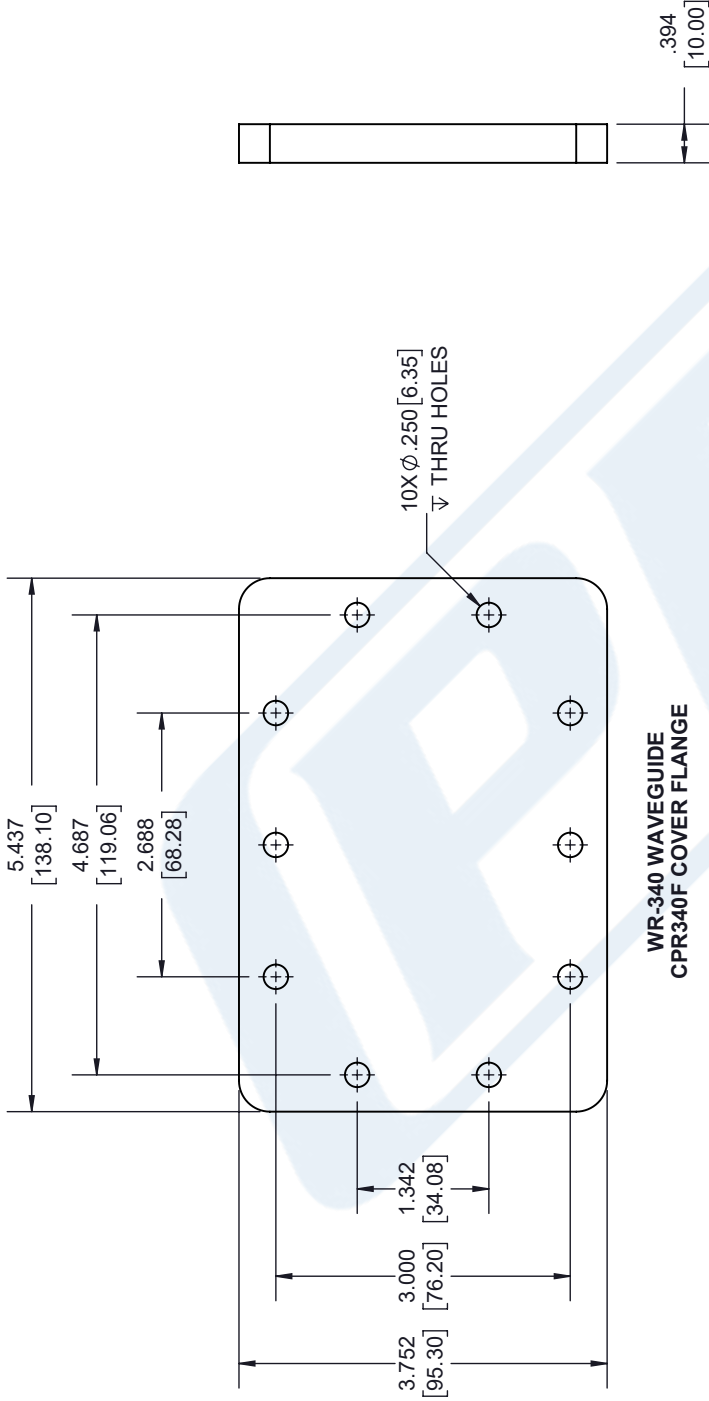
URL: <https://www.pasternack.com/pew340sp10-p.aspx>

The information contained in this document is accurate to the best of our knowledge and representative of the part described herein. It may be necessary to make modifications to the part and/or the documentation of the part, in order to implement improvements. Pasternack reserves the right to make such changes as required. Unless otherwise stated, all specifications are nominal. Pasternack does not make any representation or warranty regarding the suitability of the part described herein for any particular purpose, and Pasternack does not assume any liability arising out of the use of any part or documentation.

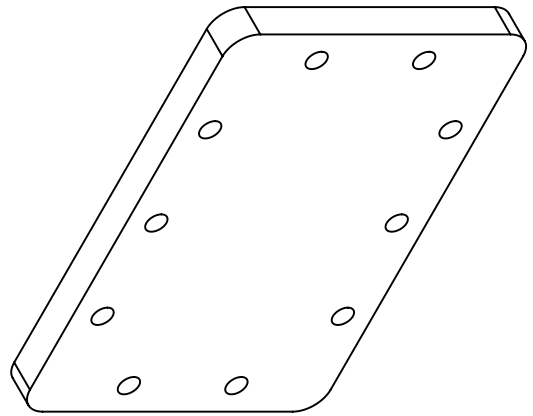
PEW340SP10 CAD Drawing

WR-340 Waveguide Short Plate, CPR-340F Flange, 10mm Aluminum

REVISIONS			
REV.	DESCRIPTION	DATE	APPROVED
A	INITIAL RELEASE	2/4/2020	S.PONG



WR-340 WAVEGUIDE
CPR340F COVER FLANGE



UNLESS OTHERWISE SPECIFIED
LEADING DIMENSIONS ARE INCHES
DIMENSIONS IN [] ARE MILLIMETERS

TOLERANCES:

.X = ±.2 [5.08] FRACTIONS ± 1/32
.XX = ±.02 [51] ANGLES ± 1°
.XXX = ±.005 [13] CABLE LENGTH (L), TOLERANCES:
L ≤ 12 [305] = +1 [25] / -0
12 [305] < L ≤ 60 [1524] = +2 [51] / -0
60 [1524] < L ≤ 120 [3048] = +4 [102] / -0
120 [3048] < L ≤ 300 [7620] = +6 [152] / -0
300 [7620] < L = +5% / -0

ALL DIMENSIONS SHOWN
ARE FOR REFERENCE ONLY.

PE **PASTERNAK**
an INFINITE brand

Pasternack Enterprises, Inc.
P. O. Box 16759, Irvine, CA 92623.
Phone: 1.949.261.1920 | 1.866.727.8376
Fax: 1.949.261.7451
Website: www.pasternack.com
E-mail: sales@pasternack.com

SCALE N/A

SHEET 1 OF 1

THIRD-ANGLE PROJECTION

THE INFORMATION AND DESIGN IN THIS DOCUMENT IS THE PROPERTY OF PASTERNAK CORPORATION ALL RIGHTS RESERVED.

ITEM NO. PEW340SP10

DRAWN BY K.DANG

SIZE A

CAGE CODE 53919