



## WR-28 Waveguide Short Plate, UG-Cover Square Flange, 5mm Copper

### Waveguide Accessories Technical Data Sheet

PEW28SP4

#### Features

- WR-28 Waveguide Short Plate
- Square UG-Cover Flange Configuration
- Frequency Range: 26.5 GHz to 40 GHz
- Min VSWR: 60:1
- 5 mm Thick Copper Construction

#### Description

PEW28SP4 is a fixed WR-28 waveguide short (shorting plate) with operating frequency range from 26.5 GHz to 40 GHz. This waveguide short is fabricated with 5 mm thick copper by high precision manufacturing process. PEW28SP4 has a Square UG-Cover configuration and provides high reflection short circuit for WR-28 waveguide components. Along with Pasternack's waveguide shim products, the waveguide short is ideal for TRL (Thru, Reflect, Line) calibration for RF test instruments. Pasternack offers a wide selection of waveguide components with high performance available in stock and same-day shipping to customers worldwide.

#### Mechanical Specifications

Body Material	Copper
Body Finish	Gold Plating
Length	0.197 in [5 mm]
Width	0.752 in [19.1 mm]
Height	0.752 in [19.1 mm]
Weight	0.022 lbs [9.98 g]

#### Compliance Certifications (see [product page](#) for current document)

WR-28 Waveguide Short Plate, UG-Cover Square Flange, 5mm Copper from Pasternack Enterprises has same day shipment for domestic and International orders. Our RF, microwave and millimeter wave products maintain a 99.4% availability and are part of the broadest selection in the industry.

Click the following link (or enter part number in "SEARCH" on website) to obtain additional part information including price, inventory and certifications: [WR-28 Waveguide Short Plate, UG-Cover Square Flange, 5mm Copper PEW28SP4](#)

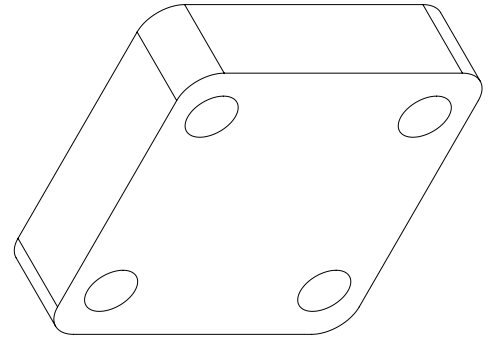
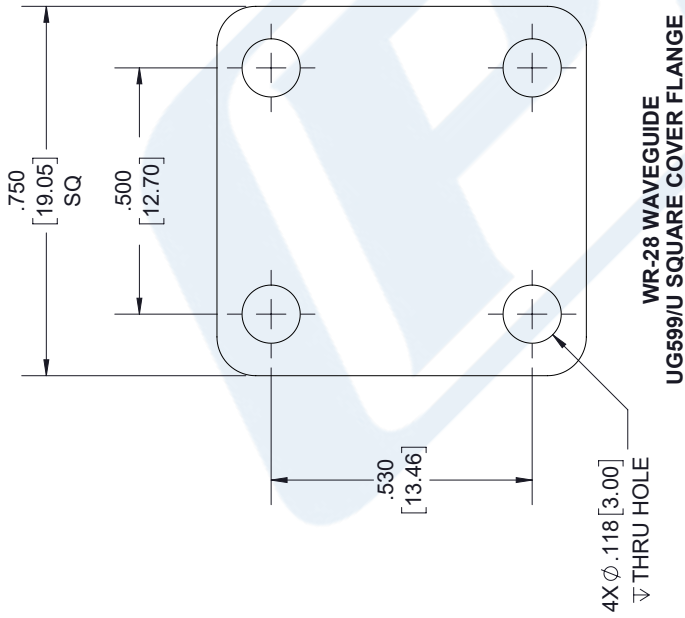
URL: <https://www.pasternack.com/pew28sp4-p.aspx>

The information contained in this document is accurate to the best of our knowledge and representative of the part described herein. It may be necessary to make modifications to the part and/or the documentation of the part, in order to implement improvements. Pasternack reserves the right to make such changes as required. Unless otherwise stated, all specifications are nominal. Pasternack does not make any representation or warranty regarding the suitability of the part described herein for any particular purpose, and Pasternack does not assume any liability arising out of the use of any part or documentation.

# PEW28SP4 CAD Drawing

WR-28 Waveguide Short Plate, UG-Cover Square Flange, 5mm Copper

REVISIONS			
REV.	DESCRIPTION	DATE	APPROVED
A	INITIAL RELEASE	1/28/2020	S-PONG



UNLESS OTHERWISE SPECIFIED  
LEADING DIMENSIONS ARE INCHES  
DIMENSIONS IN [ ] ARE MILLIMETERS

**TOLERANCES:**

.X = ±.2	[5.08]	FRACTIONS	± 1/32
.XX = ±.02	[.51]	ANGLES ± 1°	
.XXX = ±.005	[.13]	CABLE LENGTH (L) TOLERANCES:	
		L ≤ 12 [305]	= +1 [25] / -0
		12 [305] < L ≤ 60 [1524]	= +2 [51] / -0
		60 [1524] < L ≤ 120 [3048]	= +4 [102] / -0
		120 [3048] < L ≤ 300 [7620]	= +6 [152] / -0
		300 [7620] < L = +5% / L / -0	

ALL DIMENSIONS SHOWN  
ARE FOR REFERENCE ONLY.

**PE PASTERNAK®**  
an INFINIT® brand

Pasternack Enterprises, Inc.  
P. O. Box 16759, Irvine, CA 92623.  
Phone: 1.949.261.1920 | 1.866.727.8376  
Fax: 1.949.261.7451  
Website: www.pasternack.com  
E-mail: sales@pasternack.com

THIRD-ANGLE PROJECTION

THE INFORMATION AND  
DESIGN IN THIS DOCUMENT  
IS THE PROPERTY OF  
PASTERNAK CORPORATION  
ALL RIGHTS RESERVED.

SHEET 1 OF 1  
SCALE N/A

SIZE	CAGE CODE	DRAWN BY	ITEM NO.
A	53919	K.DANG	PEW28SP4
REV			A

THESE COMMODITIES, TECHNOLOGY OR SOFTWARE WERE EXPORTED FROM THE UNITED STATES IN ACCORDANCE WITH THE EXPORT ADMINISTRATION REGULATIONS. DIVERSION CONTRARY TO U.S. LAW PROHIBITED.