



WR-22 90 Degree Waveguide Twist with a UG-383/U Flange Operating from 33 GHz to 50 GHz

Waveguide Twists Technical Data Sheet

PEW22TW001

Features

- WR-22
- 33 to 50 GHz
- UG-383/U Flange
- 1.15:1 Maximum VSWR
- 90° Twist

Applications

- Instrumentation
- Precision measurements
- Prototyping and characterization
- Production Systems

Description

The PEW22TW001 is a 90 degree waveguide twist that is part of a family of precision manufactured twists with round flange per MIL-DTL-85. The family includes right and left hand 45 degree twists as well as 90 degree twists. These twists are offered in the Ka through W waveguide bands.

Electrical Specifications

Description	Minimum	Typical	Maximum	Units
Frequency Range	33		50	GHz
VSWR			1.15:1	
Insertion Loss			0.25	dB

Mechanical Specifications

Waveguide Size WR-22
 Section Length 1.96 in [[49.78 mm]]

Description	Flange 1	Waveguide	Flange 2
Interface	UG-383/U	WR-22	UG-383/U
Material	Copper	Copper	Copper
Plating	Gold	Gold	Gold
Color	Gold	Gold	Gold

Compliance Certifications (see [product page](#) for current document)

Notes:

Click the following link (or enter part number in "SEARCH" on website) to obtain additional part information including price, inventory and certifications: [WR-22 90 Degree Waveguide Twist with a UG-383/U Flange Operating from 33 GHz to 50 GHz PEW22TW001](#)



WR-22 90 Degree Waveguide Twist with a UG-383/U Flange Operating from 33 GHz to 50 GHz

Waveguide Twists Technical Data Sheet

PEW22TW001

WR-22 90 Degree Waveguide Twist with a UG-383/U Flange Operating from 33 GHz to 50 GHz from Pasternack Enterprises has same day shipment for domestic and International orders. Our RF, microwave and millimeter wave products maintain a 99.4% availability and are part of the broadest selection in the industry.

Click the following link (or enter part number in "SEARCH" on website) to obtain additional part information including price, inventory and certifications: [WR-22 90 Degree Waveguide Twist with a UG-383/U Flange Operating from 33 GHz to 50 GHz PEW22TW001](https://www.pasternack.com/wr-22-90-waveguide-twist-ug383-33-50-ghz-pew22tw001-p.aspx)

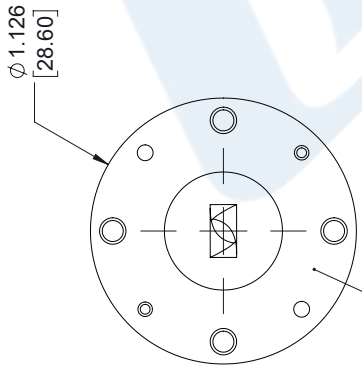
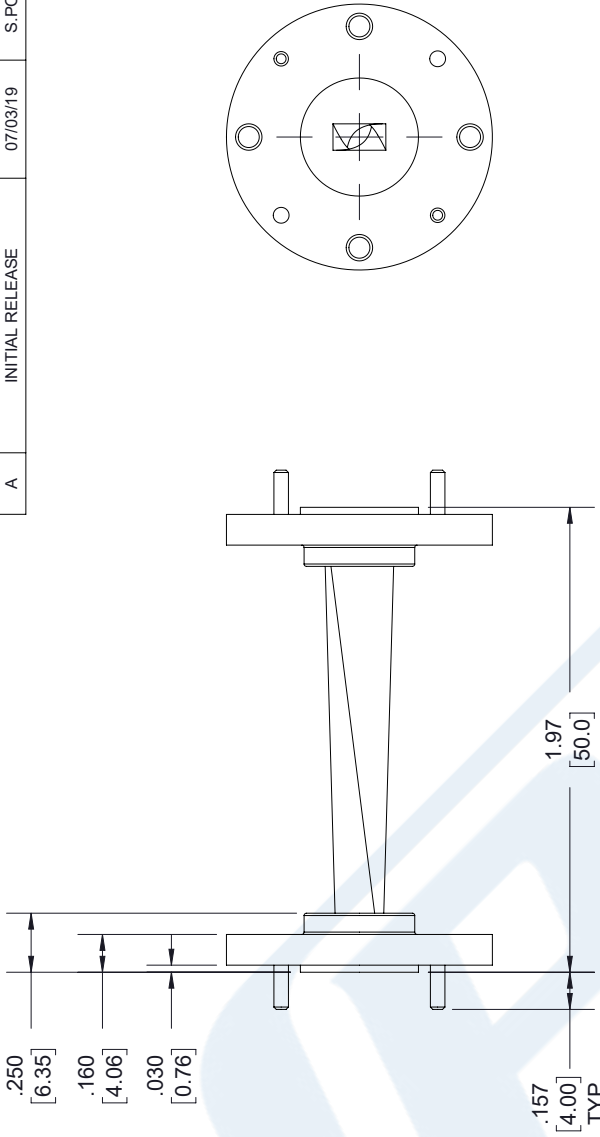
URL: <https://www.pasternack.com/wr-22-90-waveguide-twist-ug383-33-50-ghz-pew22tw001-p.aspx>

The information contained in this document is accurate to the best of our knowledge and representative of the part described herein. It may be necessary to make modifications to the part and/or the documentation of the part, in order to implement improvements. Pasternack reserves the right to make such changes as required. Unless otherwise stated, all specifications are nominal. Pasternack does not make any representation or warranty regarding the suitability of the part described herein for any particular purpose, and Pasternack does not assume any liability arising out of the use of any part or documentation.

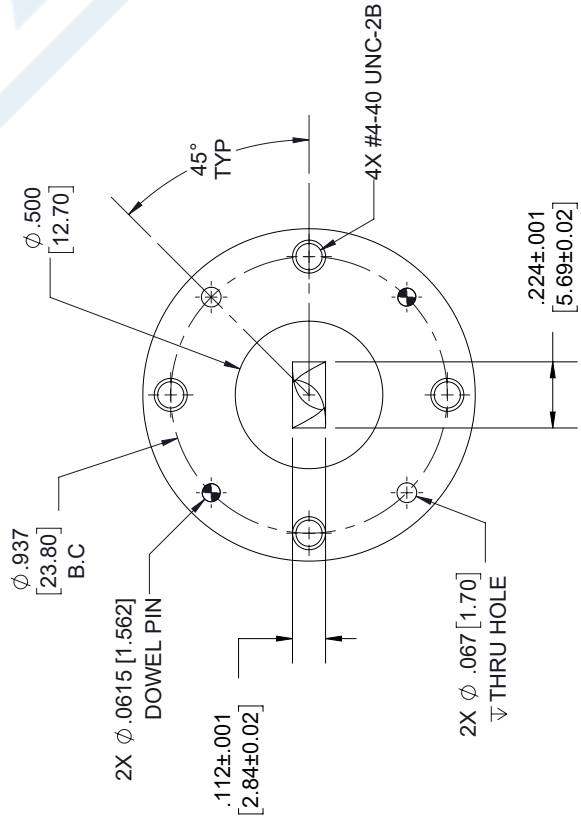
PEW22TW001 CAD Drawing

WR-22 90 Degree Waveguide Twist with a UG-383/U
Flange Operating from 33 GHz to 50 GHz

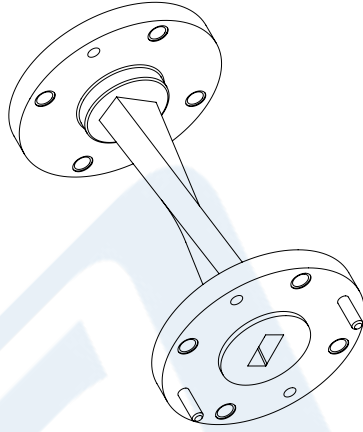
REVISIONS			
REV.	DESCRIPTION	DATE	APPROVED
A	INITIAL RELEASE	07/03/19	S. PONG



WR-22 WAVEGUIDE
UG383/U ROUND FLANGE
TYP



FLANGE DETAIL



UNLESS OTHERWISE SPECIFIED LEADING DIMENSIONS ARE INCHES DIMENSIONS IN [] ARE MILLIMETERS	
TOLERANCES:	FRACTIONS
X \pm 2	[5.08]
.XX \pm 01	[.25]
.XXX \pm .005	[.13]
ALL DIMENSIONS SHOWN ARE FOR REFERENCE ONLY.	
THIRD-ANGLE PROJECTION	

PE PASTERNAK
an INFINITO brand

Pasternack Enterprises, Inc.
P. O. Box 16759, Irvine, CA 92623.
Phone: 1.949.261.1920 | 1.866.727.8376
Fax: 1.949.261.7451
www.pasternack.com | e-mail: sales@pasternack.com

THE INFORMATION AND DESIGN IN THIS DOCUMENT IS THE PROPERTY OF PASTERNAK CORPORATION. ALL RIGHTS RESERVED.

SHEET 1 OF 1
SCALE N/A

SIZE [CAGE] DRAWN BY PART NUMBER REV
A 53919 K.DANG PEW22TW001 A

THESE COMMODITIES, TECHNOLOGY OR SOFTWARE WERE EXPORTED FROM THE UNITED STATES IN ACCORDANCE WITH THE EXPORT ADMINISTRATION REGULATIONS. DIVERSION CONTRARY TO U.S. LAW PROHIBITED.