



WR-22 Straight Waveguide Section 3 Inch Length, UG-383/U Round Cover Flange from 33 GHz to 50 GHz

TECHNICAL DATA SHEET

PEW22S010-3

Pasternack's PEW22S010-3 is a 3 inch WR-22 straight waveguide section that operates from 33 GHz to 50 GHz. This straight waveguide section offers a typical 0.25 dB insertion loss and a maximum 1.06 VSWR. The input of this straight waveguide section has a UG-383/U Round Cover flange. PEW22S010-3 is part of over 40,000 RF, microwave and millimeter wave components. Our WR-22 straight waveguide section will ship worldwide the same day it is purchased along with our other RF components.

Features

- 3" Length
- WR-22 Waveguide
- 33 GHz to 50 GHz Frequency Range
- UG-383/U Round Cover Flange
- Comprehensive waveguide offering also includes E-Bends, H-Bends, Waveguide to Coax Adapters, Filters, Terminations, and more.

Applications

- Millimeter Wave
- Transmission Systems
- Test and Laboratory Setups

Electrical Specifications

Description	Minimum	Typical	Maximum	Units
Frequency Range	33		50	GHz
VSWR			1.1:1	
Insertion Loss		0.25		dB

Mechanical Specifications

Waveguide Size WR-22

Compliance Certifications (see [product page](#) for current document)

Notes:

- Values at +25 °C, sea level

WR-22 Straight Waveguide Section 3 Inch Length, UG-383/U Round Cover Flange from 33 GHz to 50 GHz from Pasternack Enterprises has same day shipment for domestic and International orders. Our RF, microwave and millimeter wave products maintain a 99.4% availability and are part of the broadest selection in the industry.

Click the following link (or enter part number in "SEARCH" on website) to obtain additional part information including price, inventory and certifications: [WR-22 Straight Waveguide Section 3 Inch Length, UG-383/U Round Cover Flange from 33 GHz to 50 GHz PEW22S010-3](#)

URL: <https://www.pasternack.com/wr-22-straight-waveguide-section-ug383-round-pew22s010-3-p.aspx>

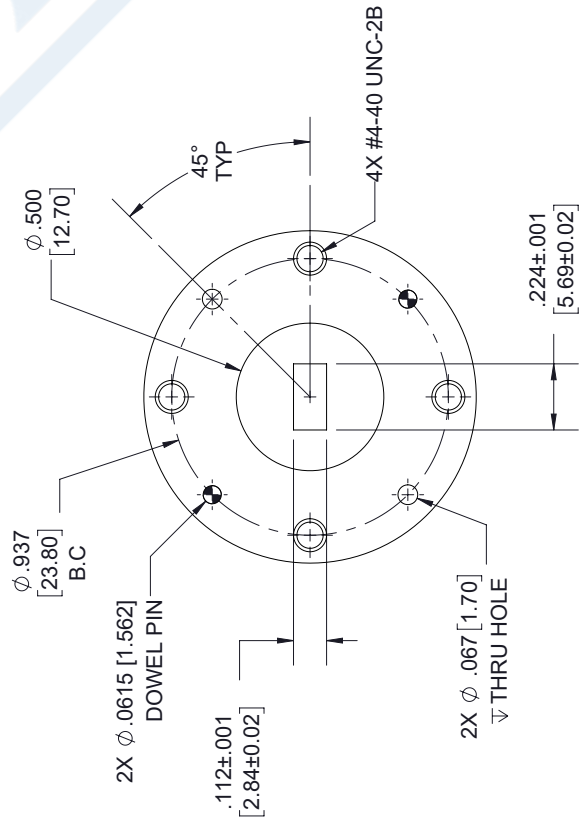
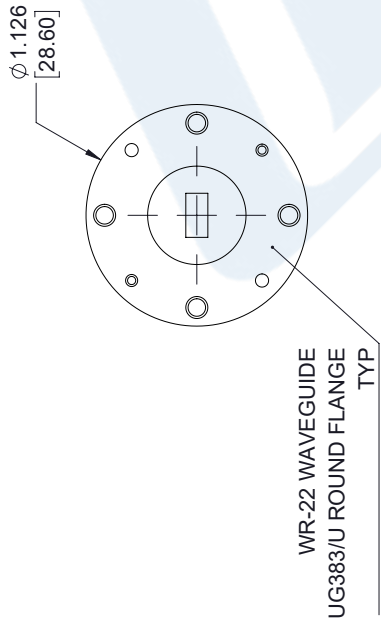
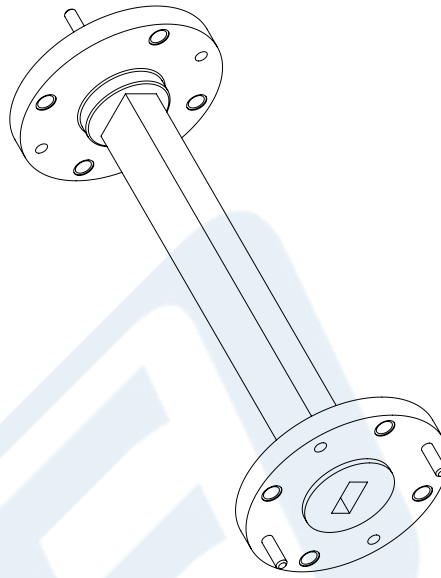
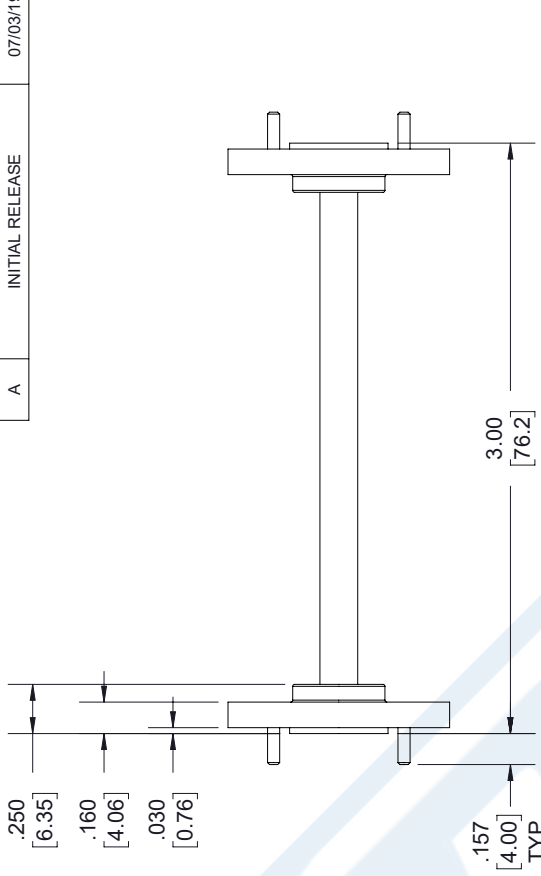
The information contained in this document is accurate to the best of our knowledge and representative of the part described herein. It may be necessary to make modifications to the part and/or the documentation of the part, in order to implement improvements. Pasternack reserves the right to make such changes as required. Unless otherwise stated, all specifications are nominal. Pasternack does not make any representation or warranty regarding the suitability of the part described herein for any particular purpose, and Pasternack does not assume any liability arising out of the use of any part or documentation.

PEW22S010-3 CAD Drawing

WR-22 Straight Waveguide Section 3 Inch Length, UG-383/U Round Cover Flange from 33 GHz to 50 GHz

REVISIONS

REV.	DESCRIPTION	DATE	APPROVED
A	INITIAL RELEASE	07/03/19	S. PONG



FLANGE DETAIL

UNLESS OTHERWISE SPECIFIED LEADING DIMENSIONS ARE INCHES DIMENSIONS IN [] ARE MILLIMETERS

TOLERANCES:
 X±.2 [5.08] FRACTIONS
 .XX±.01 [0.25] ±.132
 .XXX±.005 [0.13] ANGLES ± 1°

ALL DIMENSIONS SHOWN ARE FOR REFERENCE ONLY.

THIRD-ANGLE PROJECTION

PE PASTERNAK
 an INFINITO brand

Pasternack Enterprises, Inc.
 P.O. Box 16759, Irvine, CA 92623.
 Phone: 1.949.261.1920 | 1.866.727.8376
 Fax: 1.949.261.7451
 www.pasternack.com | e-mail: sales@pasternack.com

THE INFORMATION AND DESIGN IN THIS DOCUMENT IS THE PROPERTY OF PASTERNAK CORPORATION. ALL RIGHTS RESERVED.

SHEET 1 OF 1
 SCALE N/A

SIZE A
 CAGE DRAWN BY K.DANG
 PART NUMBER PEW22S010-3
 REV A

THESE COMMODITIES, TECHNOLOGY OR SOFTWARE WERE EXPORTED FROM THE UNITED STATES IN ACCORDANCE WITH THE EXPORT ADMINISTRATION REGULATIONS. DIVERSION CONTRARY TO U.S. LAW PROHIBITED.