



## WR-22 Waveguide Shim, UG-Cover Round flange, 3mm Brass

### Waveguide Accessories Technical Data Sheet

PEW22FS3

#### Features

- WR-22 Waveguide Shim
- Round UG-Cover Flange Configuration
- Frequency Range: 32.9 GHz to 50.1 GHz
- 3 mm Thick Brass Construction

#### Description

PEW22FS3 is a WR-22 waveguide shim with operating frequency range from 32.9 GHz to 50.1 GHz. This waveguide shim is fabricated with 3 mm thick brass by high precision manufacturing process. PEW22FS3 can be used to bridge gaps between WR-22 waveguide components with UG-Cover Round flanges. Pasternack offers wide selection of waveguide components with high performance available in stock and same-day shipping to customers worldwide.

#### Mechanical Specifications

Body Material	Brass
Body Finish	Gold plating
Length	0.118 in [3][mm]
Width	1.126 in [28.6][mm]
Height	1.126 in [28.6][mm]
Weight	0.044 lbs [19.96][g]

#### Compliance Certifications (see [product page](#) for current document)

WR-22 Waveguide Shim, UG-Cover Round flange, 3mm Brass from Pasternack Enterprises has same day shipment for domestic and International orders. Our RF, microwave and millimeter wave products maintain a 99.4% availability and are part of the broadest selection in the industry.

Click the following link (or enter part number in "SEARCH" on website) to obtain additional part information including price, inventory and certifications: [WR-22 Waveguide Shim, UG-Cover Round flange, 3mm Brass PEW22FS3](#)

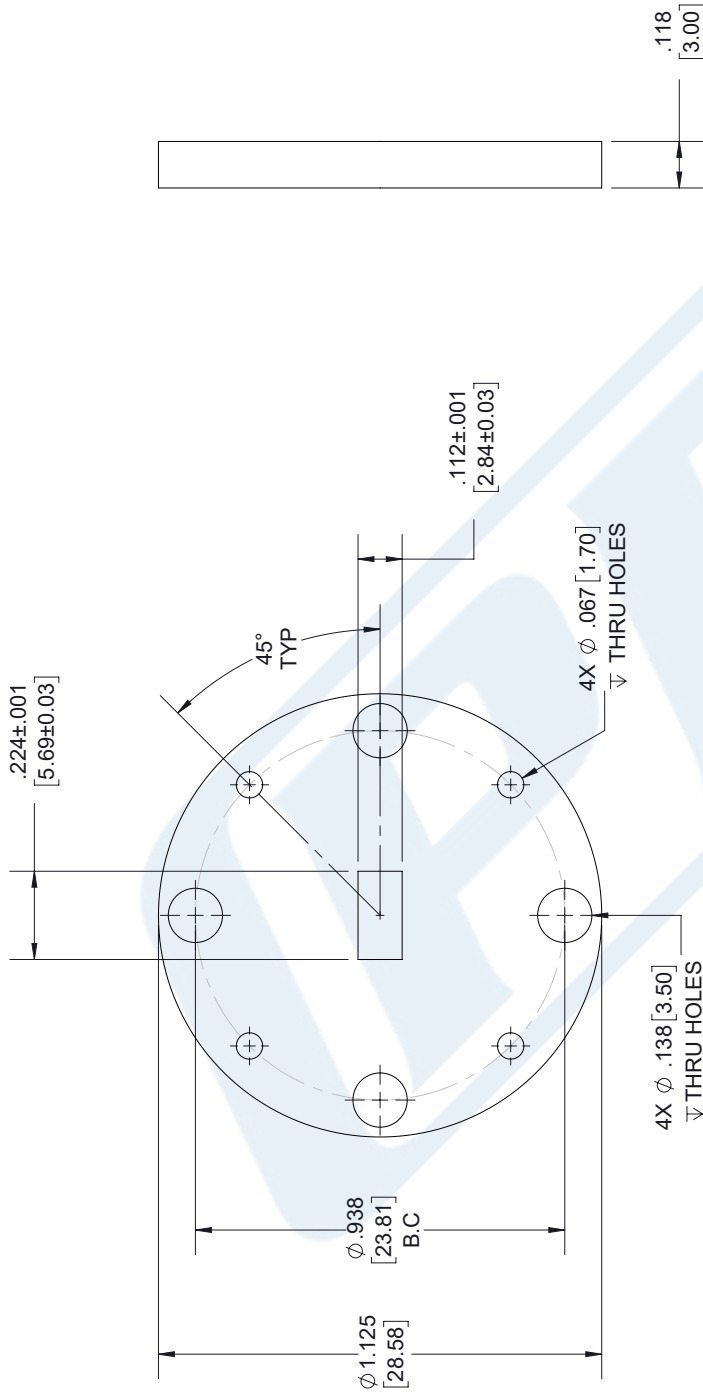
URL: <https://www.pasternack.com/pew22fs3-p.aspx>

The information contained in this document is accurate to the best of our knowledge and representative of the part described herein. It may be necessary to make modifications to the part and/or the documentation of the part, in order to implement improvements. Pasternack reserves the right to make such changes as required. Unless otherwise stated, all specifications are nominal. Pasternack does not make any representation or warranty regarding the suitability of the part described herein for any particular purpose, and Pasternack does not assume any liability arising out of the use of any part or documentation.

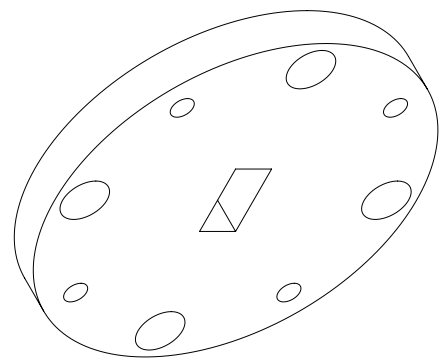
# PEW22FS3 CAD Drawing

WR-22 Waveguide Shim, UG-Cover Round flange, 3mm Brass

REV.	DESCRIPTION	DATE	APPROVED
A	INITIAL RELEASE	1/28/2020	S-PONG



WR-22 WAVEGUIDE  
UG-383/U ROUND COVER FLANGE



UNLESS OTHERWISE SPECIFIED LEADING DIMENSIONS ARE INCHES DIMENSIONS IN [ ] ARE MILLIMETERS

TOLERANCES:

.X = ±.2	[.08]	FRACTIONS	± 1/32
.XX = ±.02	[.51]	ANGLES	± 1°
.XXX = ±.005	[.13]	CABLE LENGTH (L)	TOLERANCES:
		L ≤ 12 [305]	= +1 [25] / -0
		12 [305] < L ≤ 60 [1524]	= +2 [51] / -0
		60 [1524] < L ≤ 120 [3048]	= +4 [102] / -0
		120 [3048] < L ≤ 300 [7620]	= +6 [152] / -0
		300 [7620] < L = +5% / L / -0	

ALL DIMENSIONS SHOWN ARE FOR REFERENCE ONLY.

THIRD-ANGLE PROJECTION

THE INFORMATION AND DESIGN IN THIS DOCUMENT IS THE PROPERTY OF PASTERNAK CORPORATION ALL RIGHTS RESERVED.

SHEET 1 OF 1

SCALE N/A

**PE PASTERNAK**  
an INFINIT® brand

Pasternack Enterprises, Inc.  
P. O. Box 16759, Irvine, CA 92623.  
Phone: 1.949.261.1920 | 1.866.727.8376  
Fax: 1.949.261.7451  
Website: www.pasternack.com  
E-mail: sales@pasternack.com

ITEM NO. PEW22FS3

SCALE N/A

REV A

DRAWN BY K.DANG

CAGE CODE A 53919