



WR-22 UG-383/U Round Cover Flange to 2.4mm Female Waveguide to Coax Adapter Operating from 33 GHz to 50 GHz

Waveguide to Coax Adapters Technical Data Sheet

PEW22CA100

Features

- Q Band, 33 to 50 GHz Frequency Range
- WR-22 Waveguide Interface with UG-383/U Flange
- 2.4mm Female RF Interface
- Comprehensive waveguide offerings also include E-Bends, H-Bends, Sections, Filters, Terminations, Couplers, and more.

Description

The PEW22CA100 is a waveguide to coaxial adapter operating in the Q Band with a 33 to 50 GHz frequency range. This adapter offers a WR-22 waveguide interface size coupled with a precision tolerance UG-383/U flange. The PEW22CA100 is constructed of copper and plated in gold to ensure durability and repeatable RF performance.

Configuration

Waveguide Size	WR-22
Flange	UG-383/U Round Cover
RF Connector	2.4mm Female
Impedance	50 Ohms
Body Geometry	Right Angle

Electrical Specifications

Description	Minimum	Typical	Maximum	Units
Frequency Range	33		50	GHz
VSWR			1.4:1	
Insertion Loss			0.4	dB

Mechanical Specifications

Size	
Length	0.98 in [24.89 mm]
Width	1.13 in [28.7 mm]
Height	1.13 in [28.7 mm]
Weight	0.077 lbs [34.93 g]

RF Connector

Connector Type	2.4mm Female
Body Material and Plating	Stainless Steel

Waveguide Interface

Waveguide Type	WR-22
Flange Type	Round Cover
Flange Designation	UG-383/U
Body Material and Plating	Brass Copper, Gold

Click the following link (or enter part number in "SEARCH" on website) to obtain additional part information including price, inventory and certifications: [WR-22 UG-383/U Round Cover Flange to 2.4mm Female Waveguide to Coax Adapter Operating from 33 GHz to 50 GHz PEW22CA100](#)



WR-22 UG-383/U Round Cover Flange to 2.4mm Female
Waveguide to Coax Adapter Operating from 33 GHz to 50 GHz

Waveguide to Coax Adapters Technical Data Sheet

PEW22CA100

Compliance Certifications (see [product page](#) for current document)

Plotted and Other Data

Notes:

- Values at +25 °C, sea level unless stated otherwise

WR-22 UG-383/U Round Cover Flange to 2.4mm Female Waveguide to Coax Adapter Operating from 33 GHz to 50 GHz from Pasternack Enterprises has same day shipment for domestic and International orders. Our RF, microwave and millimeter wave products maintain a 99.4% availability and are part of the broadest selection in the industry.

Click the following link (or enter part number in "SEARCH" on website) to obtain additional part information including price, inventory and certifications: [WR-22 UG-383/U Round Cover Flange to 2.4mm Female Waveguide to Coax Adapter Operating from 33 GHz to 50 GHz PEW22CA100](#)

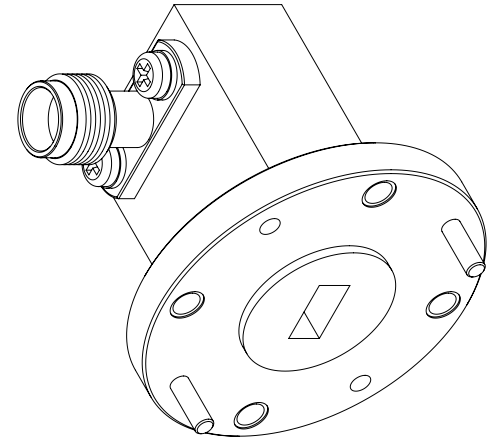
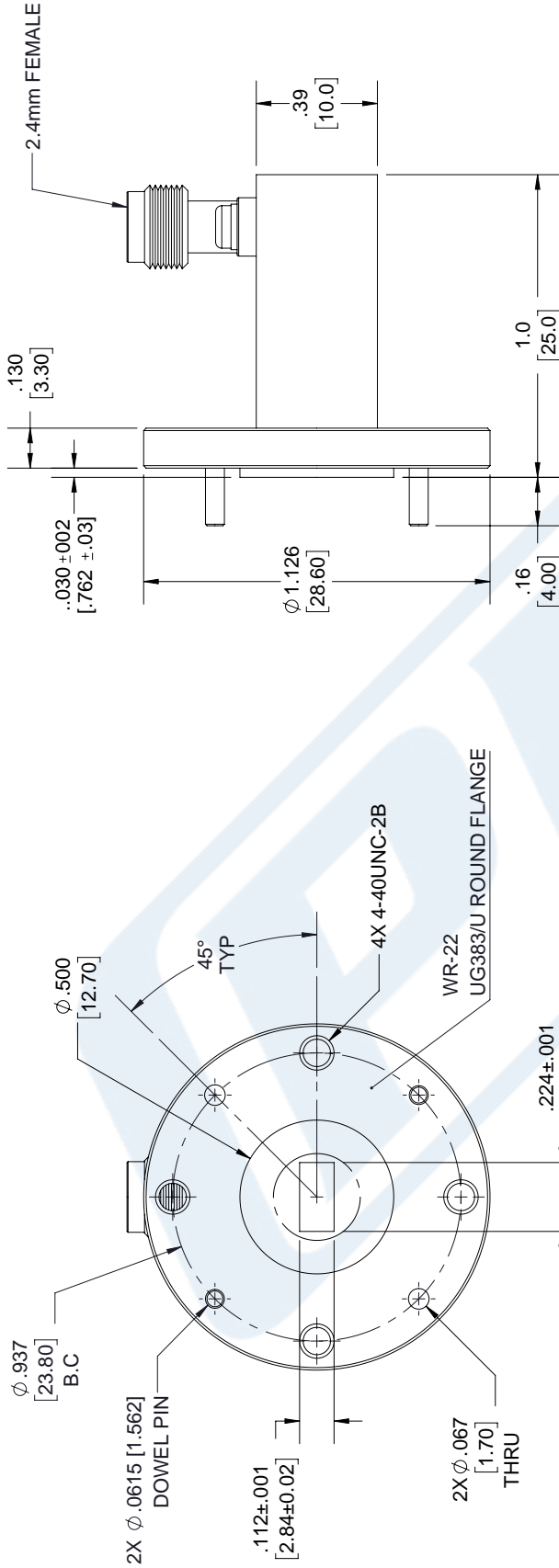
URL: <https://www.pasternack.com/wr22-ug383-round-flange-to-2.4mm-female-waveguide-coax-adapter-50-ghz-pew22ca100-p.aspx>

The information contained in this document is accurate to the best of our knowledge and representative of the part described herein. It may be necessary to make modifications to the part and/or the documentation of the part, in order to implement improvements. Pasternack reserves the right to make such changes as required. Unless otherwise stated, all specifications are nominal. Pasternack does not make any representation or warranty regarding the suitability of the part described herein for any particular purpose, and Pasternack does not assume any liability arising out of the use of any part or documentation.

PEW22CA100 CAD Drawing

WR-22 UG-383/U Round Cover Flange to 2.4mm Female Waveguide to Coax Adapter Operating from 33 GHz to 50 GHz

REVISIONS			
REV.	DESCRIPTION	DATE	APPROVED
B	PCR PEW22CA100 20210922	11/17/2021	S. PONG



UNLESS OTHERWISE SPECIFIED LEADING DIMENSIONS ARE INCHES DIMENSIONS IN [] ARE MILLIMETERS

TOLERANCES:

.X = ±.2	[5.08]	FRACTIONS	± 1/32
.XX = ±.02	[.51]	ANGLES ± 1°	
.XXX = ±.005	[.13]	CABLE LENGTH (L) TOLERANCES:	
		L ≤ 12 [305]	= +1 [25] / -0
		12 [305] < L ≤ 60 [1524]	= +2 [51] / -0
		60 [1524] < L ≤ 120 [3048]	= +4 [102] / -0
		120 [3048] < L ≤ 300 [7620]	= +6 [152] / -0
		300 [7620] < L = +5%L / -0	

ALL DIMENSIONS SHOWN ARE FOR REFERENCE ONLY.

THIRD-ANGLE PROJECTION

THE INFORMATION AND DESIGN IN THIS DOCUMENT IS THE PROPERTY OF PASTERNAK CORPORATION ALL RIGHTS RESERVED.

SHEET 1 OF 1

SCALE N/A

REV B

ITEM NO. PEW22CA100

DRAWN BY BPUCHASKI

SIZE A

CAGE CODE 53919

REVISIONS

DESCRIPTION PCR PEW22CA100 20210922

DATE 11/17/2021

APPROVED S. PONG

PASTERNAK an INFINITI brand

Pasternack Enterprises, Inc.
P.O. Box 16759, Irvine, CA 92623.
Phone: 1.949.261.1920 | 1.866.727.8376
Fax: 1.949.261.7451
Website: www.pasternack.com
E-mail: sales@pasternack.com