



WR-19 Waveguide Shim, UG-Cover Round flange, 3mm Brass

Waveguide Accessories Technical Data Sheet

PEW19FS3

Features

- WR-19 Waveguide Shim
- Round UG-Cover Flange Configuration
- Frequency Range: 39.2 GHz to 59.6 GHz
- 3 mm Thick Brass Construction

Description

PEW19FS3 is a WR-19 waveguide shim with operating frequency range from 39.2 GHz to 59.6 GHz. This waveguide shim is fabricated with 3 mm thick brass by high precision manufacturing process. PEW19FS3 can be used to bridge gaps between WR-19 waveguide components with UG-Cover Round flanges. Pasternack offers wide selection of waveguide components with high performance available in stock and same-day shipping to customers worldwide.

Mechanical Specifications

Body Material	Brass
Body Finish	Gold plating
Length	0.118 in [3][mm]
Width	1.126 in [28.6][mm]
Height	1.126 in [28.6][mm]
Weight	0.044 lbs [19.96][g]

Compliance Certifications (see [product page](#) for current document)

WR-19 Waveguide Shim, UG-Cover Round flange, 3mm Brass from Pasternack Enterprises has same day shipment for domestic and International orders. Our RF, microwave and millimeter wave products maintain a 99.4% availability and are part of the broadest selection in the industry.

Click the following link (or enter part number in "SEARCH" on website) to obtain additional part information including price, inventory and certifications: [WR-19 Waveguide Shim, UG-Cover Round flange, 3mm Brass PEW19FS3](#)

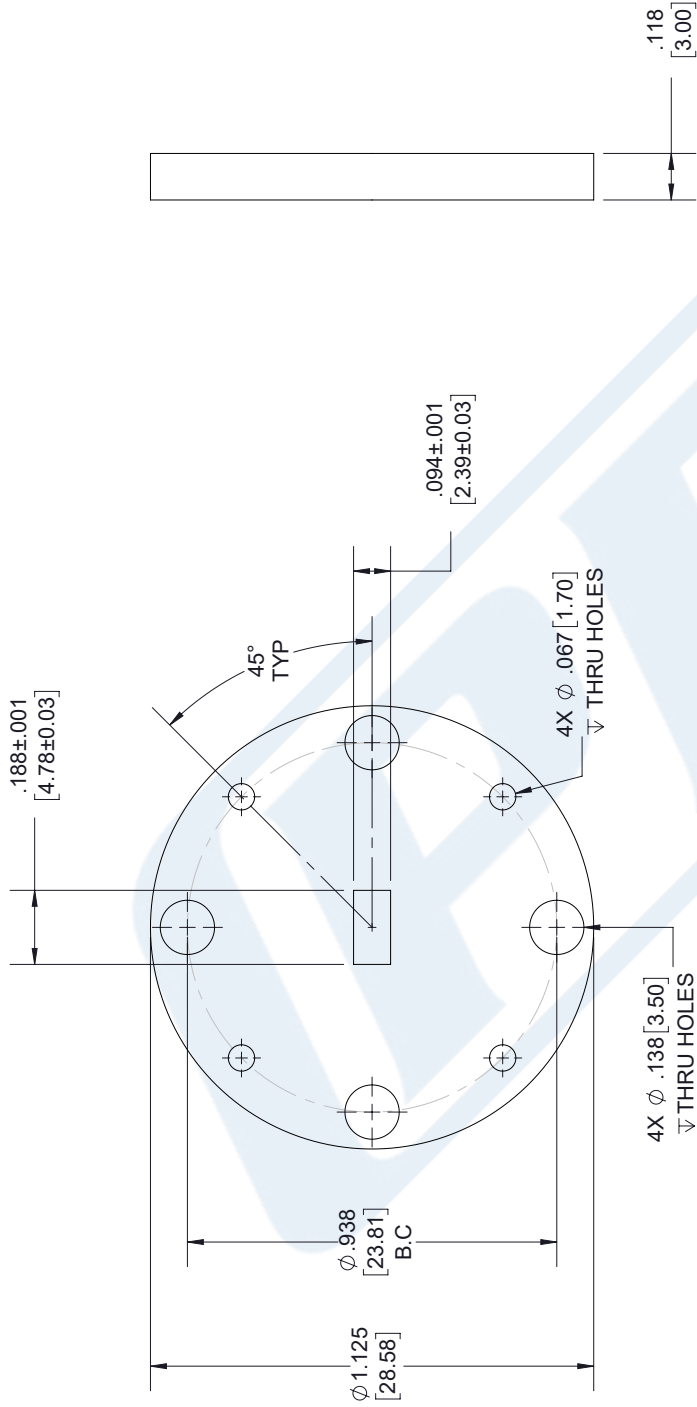
URL: <https://www.pasternack.com/pew19fs3-p.aspx>

The information contained in this document is accurate to the best of our knowledge and representative of the part described herein. It may be necessary to make modifications to the part and/or the documentation of the part, in order to implement improvements. Pasternack reserves the right to make such changes as required. Unless otherwise stated, all specifications are nominal. Pasternack does not make any representation or warranty regarding the suitability of the part described herein for any particular purpose, and Pasternack does not assume any liability arising out of the use of any part or documentation.

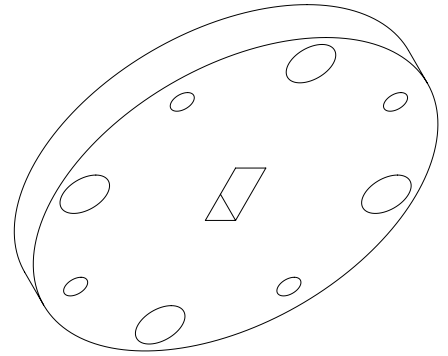
PEW19FS3 CAD Drawing

WR-19 Waveguide Shim, UG-Cover Round flange, 3mm Brass

REV.	DESCRIPTION	DATE	APPROVED
A	INITIAL RELEASE	1/17/2020	S.PONG



**WR-19 WAVEGUIDE
UG-383/U-M ROUND COVER FLANGE**



UNLESS OTHERWISE SPECIFIED LEADING DIMENSIONS ARE INCHES DIMENSIONS IN [] ARE MILLIMETERS	
TOLERANCES:	FRACTIONS
.X = ± .2 [.08]	± 1/32
.XX = ± .02 [.51]	± .13
.XXX = ± .005 [.13]	ANGLES ± 1°
CABLE LENGTH (L) TOLERANCES:	
L ≤ 12 [305]	± 1 [25] / -0
12 [305] < L ≤ 60 [1524]	± 2 [51] / -0
60 [1524] < L ≤ 120 [3048]	± 4 [102] / -0
120 [3048] < L ≤ 300 [7620]	± 6 [152] / -0
300 [7620] < L ≤ ∞	± 5% / L / -0
ALL DIMENSIONS SHOWN ARE FOR REFERENCE ONLY.	

THIRD-ANGLE PROJECTION	THE INFORMATION AND DESIGN IN THIS DOCUMENT IS THE PROPERTY OF PASTERNAK CORPORATION ALL RIGHTS RESERVED.
SHEET 1	OF 1
SCALE	N/A

Pasternack Enterprises, Inc. P. O. Box 16759, Irvine, CA 92623. Phone: 1.949.261.1920 1.866.727.8376 Fax: 1.949.261.7451 Website: www.pasternack.com E-mail: sales@pasternack.com	
SIZE	ITEM NO.
A	PEW19FS2
CAGE CODE	DRAWN BY
53919	K.DANG
REV	REV
A	A

THESE COMMODITIES, TECHNOLOGY OR SOFTWARE WERE EXPORTED FROM THE UNITED STATES IN ACCORDANCE WITH THE EXPORT ADMINISTRATION REGULATIONS. DIVERSION CONTRARY TO U.S. LAW PROHIBITED.