





WR-6 Instrumentation Grade Straight Waveguide  
Section 3 Inch Length, UG-387/U-Mod Round  
Cover Flange from 110 GHz to 170 GHz

TECHNICAL DATA SHEET

PEW06S000-3

WR-6 Instrumentation Grade Straight Waveguide Section 3 Inch Length, UG-387/U-Mod Round Cover Flange from 110 GHz to 170 GHz from Pasternack Enterprises has same day shipment for domestic and International orders. Our RF, microwave and millimeter wave products maintain a 99.4% availability and are part of the broadest selection in the industry.

Click the following link (or enter part number in "SEARCH" on website) to obtain additional part information including price, inventory and certifications: [WR-6 Instrumentation Grade Straight Waveguide Section 3 Inch Length, UG-387/U-Mod Round Cover Flange from 110 GHz to 170 GHz PEW06S000-3](https://www.pasternack.com/wr-6-instrumentation-grade-straight-waveguide-section-ug387-mod-round-pew06s000-3-p.aspx)

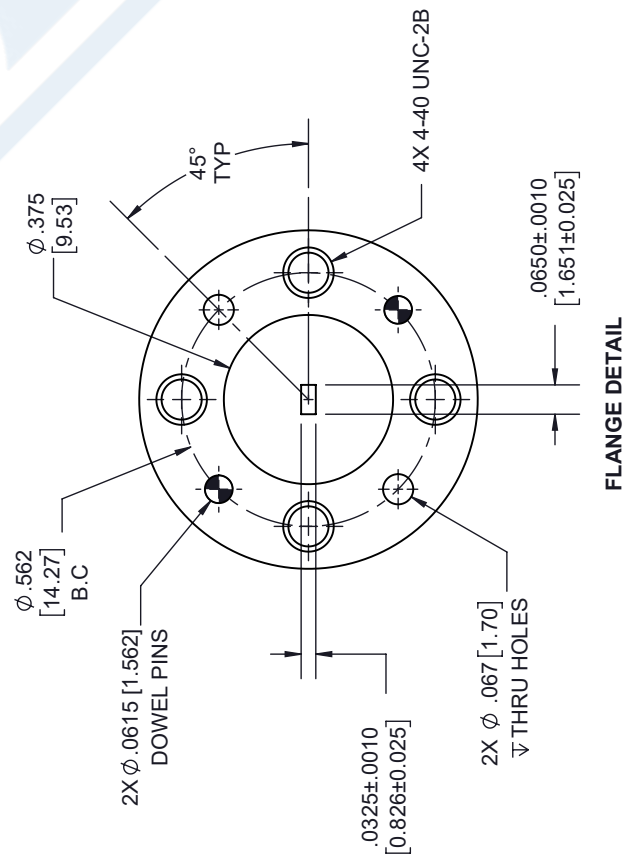
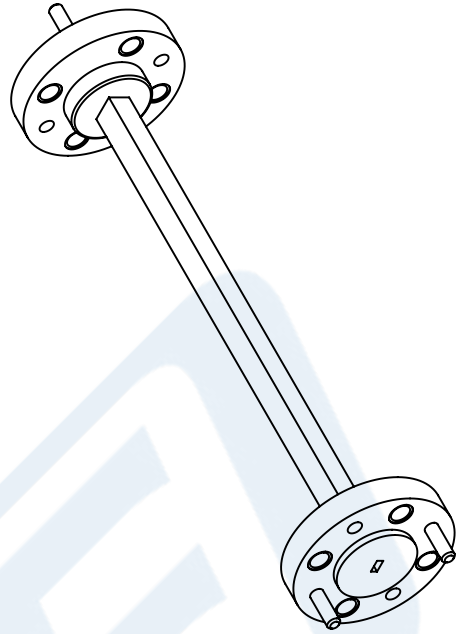
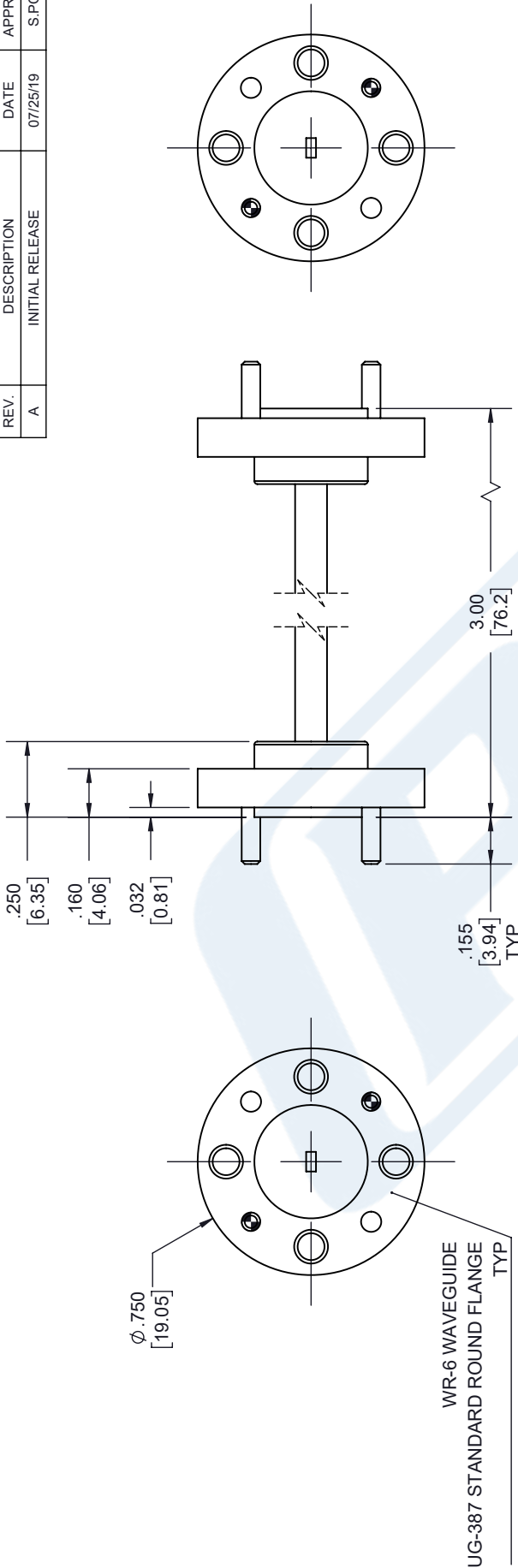
URL: <https://www.pasternack.com/wr-6-instrumentation-grade-straight-waveguide-section-ug387-mod-round-pew06s000-3-p.aspx>

The information contained in this document is accurate to the best of our knowledge and representative of the part described herein. It may be necessary to make modifications to the part and/or the documentation of the part, in order to implement improvements. Pasternack reserves the right to make such changes as required. Unless otherwise stated, all specifications are nominal. Pasternack does not make any representation or warranty regarding the suitability of the part described herein for any particular purpose, and Pasternack does not assume any liability arising out of the use of any part or documentation.

# PEW06S000-3 CAD Drawing

WR-6 Instrumentation Grade Straight Waveguide Section 3 Inch Length,  
UG-387/U-Mod Round Cover Flange from 110 GHz to 170 GHz

REVISIONS			
REV.	DESCRIPTION	DATE	APPROVED
A	INITIAL RELEASE	07/25/19	S.PONG



UNLESS OTHERWISE SPECIFIED LEADING DIMENSIONS ARE INCHES DIMENSIONS IN [ ] ARE MILLIMETERS

TOLERANCES:  
 X±.2 [5.08] FRACTIONS  
 XX±.01 [0.25] ±1/32  
 XXX±.005 [0.13] ANGLES ± 1°

ALL DIMENSIONS SHOWN ARE FOR REFERENCE ONLY.  
 THIRD-ANGLE PROJECTION

THE INFORMATION AND DESIGN IN THIS DOCUMENT IS THE PROPERTY OF PASTERNAK CORPORATION. ALL RIGHTS RESERVED.

**(PE) PASTERNAK**  
 an INFINITO brand  
 Pasternack Enterprises, Inc.  
 P. O. Box 16759, Irvine, CA 92623.  
 Phone: 1.949.261.1920 | 1.866.727.8376  
 Fax: 1.949.261.7451  
 www.pasternack.com | e-mail: sales@pasternack.com

SHEET 1 OF 1  
 SCALE N/A

SIZE A CAGE 53919 DRAWN BY K.DANG PART NUMBER PEW06S000-3 REV A

THESE COMMODITIES, TECHNOLOGY OR SOFTWARE WERE EXPORTED FROM THE UNITED STATES IN ACCORDANCE WITH THE EXPORT ADMINISTRATION REGULATIONS. DIVERSION CONTRARY TO U.S. LAW PROHIBITED.