



WR-5 Instrumentation Grade Straight Waveguide
Section 3 Inch Length, UG-387/U-Mod Round
Cover Flange from 140 GHz to 220 GHz

TECHNICAL DATA SHEET

PEW05S000-3

WR-5 Instrumentation Grade Straight Waveguide Section 3 Inch Length, UG-387/U-Mod Round Cover Flange from 140 GHz to 220 GHz from Pasternack Enterprises has same day shipment for domestic and International orders. Our RF, microwave and millimeter wave products maintain a 99.4% availability and are part of the broadest selection in the industry.

Click the following link (or enter part number in "SEARCH" on website) to obtain additional part information including price, inventory and certifications: [WR-5 Instrumentation Grade Straight Waveguide Section 3 Inch Length, UG-387/U-Mod Round Cover Flange from 140 GHz to 220 GHz PEW05S000-3](https://www.pasternack.com/wr-5-instrumentation-grade-straight-waveguide-section-ug387-mod-round-pew05s000-3-p.aspx)

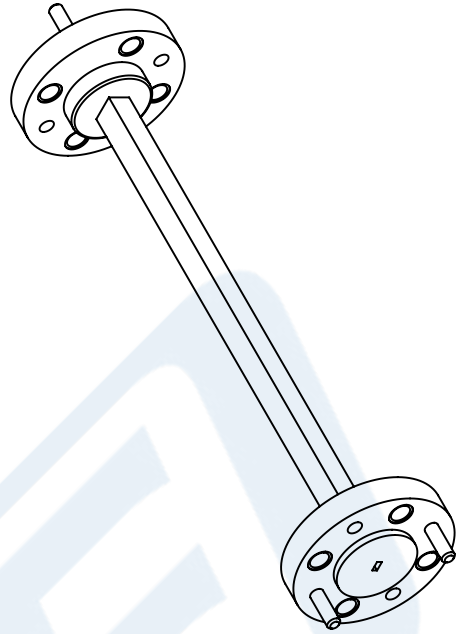
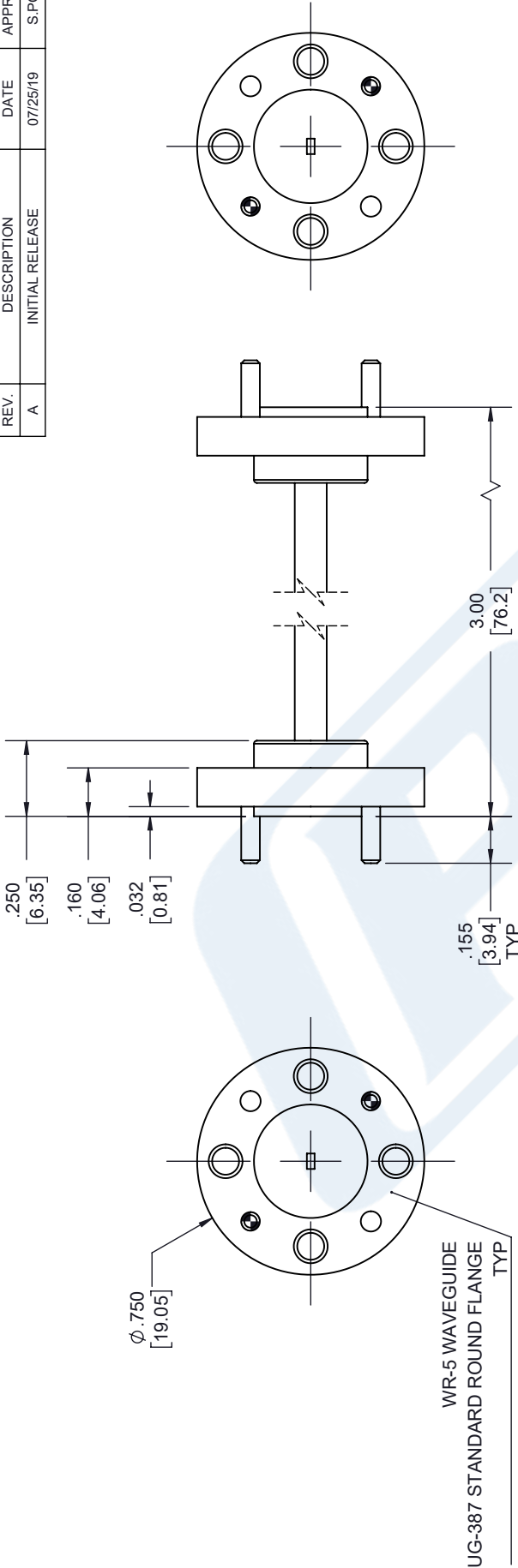
URL: <https://www.pasternack.com/wr-5-instrumentation-grade-straight-waveguide-section-ug387-mod-round-pew05s000-3-p.aspx>

The information contained in this document is accurate to the best of our knowledge and representative of the part described herein. It may be necessary to make modifications to the part and/or the documentation of the part, in order to implement improvements. Pasternack reserves the right to make such changes as required. Unless otherwise stated, all specifications are nominal. Pasternack does not make any representation or warranty regarding the suitability of the part described herein for any particular purpose, and Pasternack does not assume any liability arising out of the use of any part or documentation.

PEW05S000-3 CAD Drawing

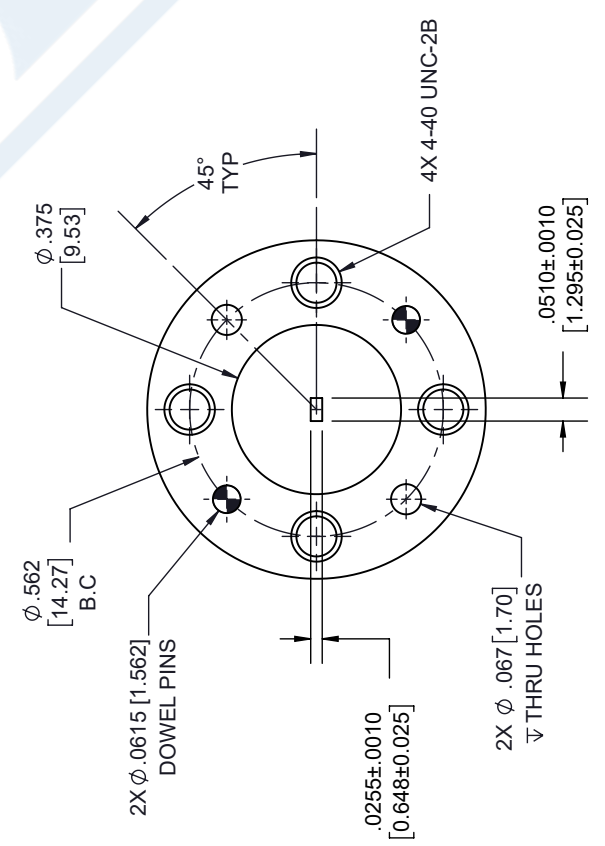
WR-5 Instrumentation Grade Straight Waveguide Section 3 Inch Length,
UG-387/U-Mod Round Cover Flange from 140 GHz to 220 GHz

REVISIONS			
REV.	DESCRIPTION	DATE	APPROVED
A	INITIAL RELEASE	07/25/19	S.PONG



<p>UNLESS OTHERWISE SPECIFIED LEADING DIMENSIONS ARE INCHES DIMENSIONS IN [] ARE MILLIMETERS</p> <p>TOLERANCES:</p> <p>X±.2 [5.08] FRACTIONS .XX±.01 [.25] ±.1/32 .XXX±.005 [.13] ANGLES ± 1°</p> <p>ALL DIMENSIONS SHOWN ARE FOR REFERENCE ONLY.</p> <p>THIRD-ANGLE PROJECTION</p>		<p>THE INFORMATION AND DESIGN IN THIS DOCUMENT IS THE PROPERTY OF PASTERNAK CORPORATION. ALL RIGHTS RESERVED.</p> <p>SHEET 1 OF 1</p> <p>SCALE N/A</p>	
<p>(PE) PASTERNAK an INFINITO brand</p> <p>Pasternack Enterprises, Inc. P. O. Box 16759, Irvine, CA 92623. Phone: 1.949.261.1920 1.866.727.8376 Fax: 1.949.261.7451 www.pasternack.com e-mail: sales@pasternack.com</p>		<p>DRAWN BY K.DANG</p> <p>PART NUMBER PEW05S000-3</p> <p>REV A</p>	
SIZE	CAGE	DRAWN BY	PART NUMBER
A	53919	K.DANG	PEW05S000-3

FLANGE DETAIL



THESE COMMODITIES, TECHNOLOGY OR SOFTWARE WERE EXPORTED FROM THE UNITED STATES IN ACCORDANCE WITH THE EXPORT ADMINISTRATION REGULATIONS. DIVERSION CONTRARY TO U.S. LAW PROHIBITED.