



2400-2500/ 5150-5825 MHz, 2/3 dBi, Stamped  
Metal AP/Router Embedded Antenna-50 Pack

**Antennas Technical Data Sheet**

**PESMA1005-50PK**

**Features**

- High Efficiency
- Isotropic radiation patterns
- Linear polarization
- Ultra-Compact design
- Low loss material
- Extended operating temperatures
- Case mounting or on board mount
- Dual band frequency stabilization
- 50-pack for easy buy

**Applications**

- IoT, M2M, Telemetry
- Wireless Remote Control
- Personal Area Networks (PAN)
- Industrial/Commercial Equipment
- 2.4/5 GHz - Wi-Fi/BT/BLE/ZigBee/ISM applications
- IEEE 802.11 a/b/g/n/ac embedded applications
- Remote Technology / Monitoring
- Consumer Tracking
- Smart Home / Wearables / Devices
- Agriculture, healthcare, digital signage

**Description**

Linear polarized antenna PESMA1005-50PK from Pasternack is part of our extensive in-stock omni directional antennas that ship the same day from our ISO 9001:2015 certified facility. The stamped metal antenna has a maximum frequency of 5825 MHz and a minimum frequency of 2400 MHz. This 50-pack stamped metal antenna has a maximum input VSWR of 2:1.

This stamped metal antenna has an overall length of 1.19 inches and a width of 0.29 inches. Pasternack's PESMA1005-50PK is a dual band antenna operating from 2400 to 2500 MHz with 2 dBi gain and 5150 to 5825 MHz with 3 dBi gain. Our high-quality 50-pack omni directional antenna has an impedance of 50 Ohms.

Pasternack's experts are on hand to assist you with any inquiries. Order this PESMA1005-50PK 50-pack stamped metal antenna 7 days a week, 24 hours a day, using our on-line ordering system with no MOQs (minimum order quantity) and same-day shipping. Our knowledgeable sales team and ability in the global availability market allow us to lead the industry in supplying RF products like these omni directional antennas.

**Configuration**

|                   |                 |
|-------------------|-----------------|
| Design            | Stamped Metal   |
| Band Type         | Dual            |
| Radiation Pattern | Omnidirectional |
| Polarization      | Linear          |

**Electrical Specifications**

| Description     | Minimum | Typical | Maximum | Units |
|-----------------|---------|---------|---------|-------|
| Frequency Range | 2,400   |         | 5,825   | MHz   |
| Input VSWR      |         |         | 2:1     |       |
| Impedance       |         | 50      |         | Ohms  |
| Gain            | 2       |         | 3       | dBi   |
| Input Power     |         |         | 1       | Watt  |

Click the following link (or enter part number in "SEARCH" on website) to obtain additional part information including price, inventory and certifications: [2400-2500/ 5150-5825 MHz, 2/3 dBi, Stamped Metal AP/Router Embedded Antenna-50 Pack PESMA1005-50PK](#)



2400-2500/ 5150-5825 MHz, 2/3 dBi, Stamped Metal AP/Router Embedded Antenna-50 Pack

## Antennas Technical Data Sheet

**PESMA1005-50PK**

### Specifications by Band

| Description | Band 1     | Band 2        | Band 3 | Band 4 | Band 5 | Units |
|-------------|------------|---------------|--------|--------|--------|-------|
| Range       | 2.4 to 2.5 | 5.15 to 5.825 |        |        |        | GHz   |
| Gain        | 2          | 3             |        |        |        | dBi   |

### Mechanical Specifications

#### Size

|                |                    |
|----------------|--------------------|
| Overall Length | 1.19 in [30.23 mm] |
| Width          | 0.29 in [7.37 mm]  |
| Height         | 0.1 in [2.54 mm]   |

### Environmental Specifications

#### Temperature

|                 |                  |
|-----------------|------------------|
| Operating Range | -20 to +65 deg C |
|-----------------|------------------|

**Compliance Certifications** (see [product page](#) for current document)

### Plotted and Other Data

Notes:

2400-2500/ 5150-5825 MHz, 2/3 dBi, Stamped Metal AP/Router Embedded Antenna-50 Pack from Pasternack Enterprises has same day shipment for domestic and International orders. Our RF, microwave and millimeter wave products maintain a 99.4% availability and are part of the broadest selection in the industry.

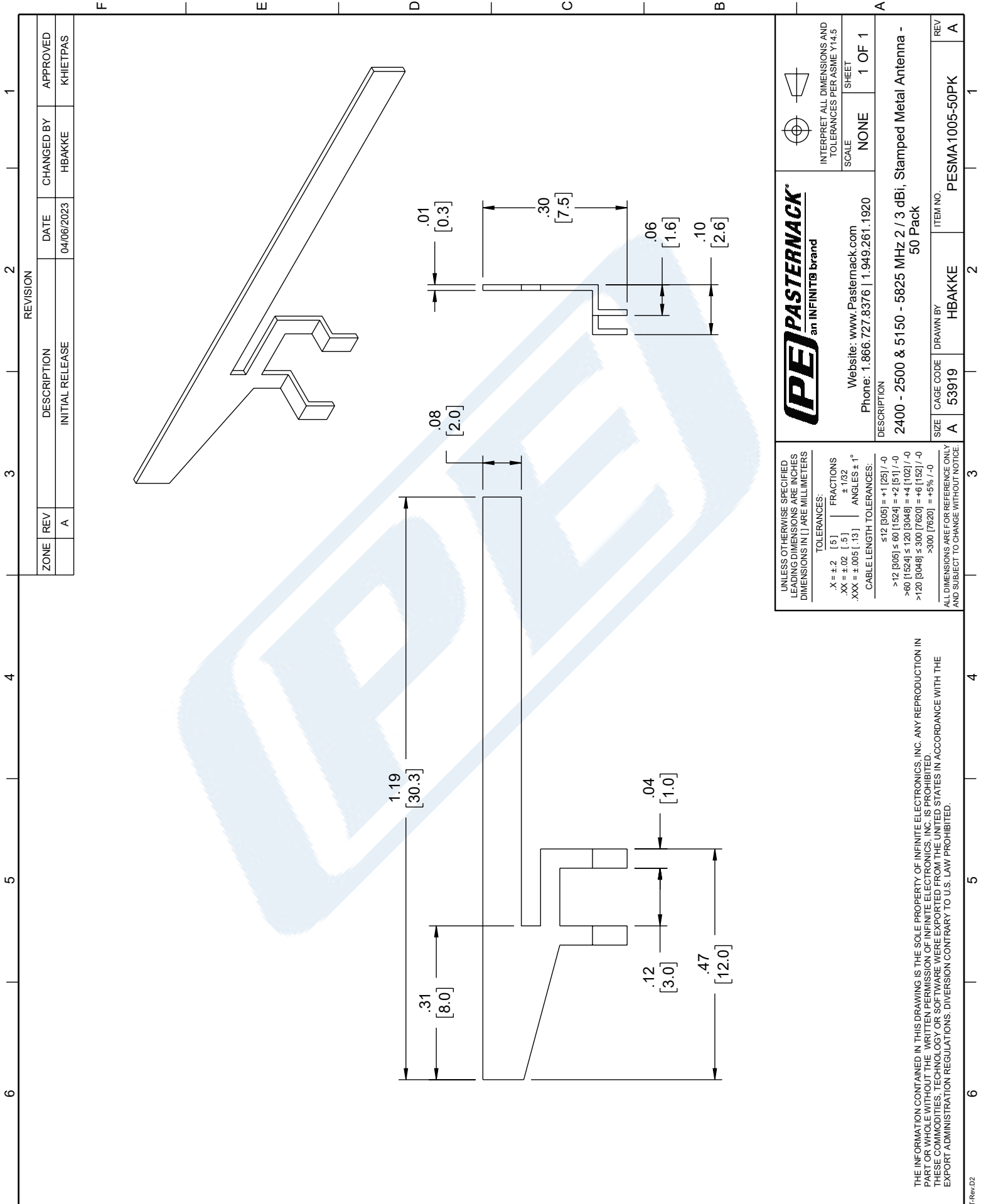
Click the following link (or enter part number in "SEARCH" on website) to obtain additional part information including price, inventory and certifications: [2400-2500/ 5150-5825 MHz, 2/3 dBi, Stamped Metal AP/Router Embedded Antenna-50 Pack PESMA1005-50PK](#)

URL: <https://www.pasternack.com/2-dual-band-stamped-metal-antenna-2400-5825-mhz-4694r-br-connector-pesma1005-50pk-p.aspx>

The information contained in this document is accurate to the best of our knowledge and representative of the part described herein. It may be necessary to make modifications to the part and/or the documentation of the part, in order to implement improvements. Pasternack reserves the right to make such changes as required. Unless otherwise stated, all specifications are nominal. Pasternack does not make any representation or warranty regarding the suitability of the part described herein for any particular purpose, and Pasternack does not assume any liability arising out of the use of any part or documentation.

# PESMA1005-50PK CAD Drawing

2400-2500/ 5150-5825 MHz, 2/3 dBi, Stamped Metal AP/  
Router Embedded Antenna-50 Pack



**PEJ PASTERNAK**  
an INFINITI® brand

Website: [www.Pasternack.com](http://www.Pasternack.com)  
Phone: 1.866.727.8376 | 1.949.261.1920

INTERPRET ALL DIMENSIONS AND TOLERANCES PER ASME Y14.5  
SCALE: NONE SHEET: 1 OF 1

DESCRIPTION:  
2400 - 2500 & 5150 - 5825 MHz 2 / 3 dBi, Stamped Metal Antenna - 50 Pack

UNLESS OTHERWISE SPECIFIED LEADING DIMENSIONS ARE INCHES DIMENSIONS IN [ ] ARE MILLIMETERS

TOLERANCES:  
X = ±.2 [5] FRACTIONS ±.1032  
.XX = ±.02 [.5] ANGLES ± 1°  
.XXX = ±.005 [.13] CABLE LENGTH TOLERANCES:  
≤12 [305] = +1 [25] / -0  
>12 [305] ≤ 60 [1524] = +2 [51] / -0  
>60 [1524] ≤ 120 [3048] = +4 [102] / -0  
>120 [3048] ≤ 300 [7620] = +6 [152] / -0  
>300 [7620] = +5% / -0

ALL DIMENSIONS ARE FOR REFERENCE ONLY AND SUBJECT TO CHANGE WITHOUT NOTICE.

THE INFORMATION CONTAINED IN THIS DRAWING IS THE SOLE PROPERTY OF INFINITE ELECTRONICS, INC. ANY REPRODUCTION IN PART OR WHOLE WITHOUT THE WRITTEN PERMISSION OF INFINITE ELECTRONICS, INC. IS PROHIBITED. THESE COMMODITIES, TECHNOLOGY OR SOFTWARE WERE EXPORTED FROM THE UNITED STATES IN ACCORDANCE WITH THE EXPORT ADMINISTRATION REGULATIONS. DIVERSION CONTRARY TO U.S. LAW PROHIBITED.

SIZE: A CAGE CODE: A 53919 DRAWN BY: HBAKKE ITEM NO.: PESMA1005-50PK REV: A