



2400-2500, 5150-7125 MHz Wi-Fi 6E Omni MIMO Antenna, 4 dBi Gain, 4 N Type Male Connectors

Antennas Technical Data Sheet

PEANOM1060

Features

- N Type Male Connector
- 4 x Vertical Polarization
- 4x4 MIMO Functionality
- Outdoor Rated Omnidirectional Antenna
- 2.4 GHz, 5 GHz, 6 GHz Wi-Fi Bands
- 6 dBi gain

Applications

- Infotainment systems, Routers, Wi-Fi hotspots, HD video transmission, Gateways, Dash cameras, Public transportation
- Connected cars or self-driving cars, Fleet management, Logistics
- Public Safety Networks
- Zigbee, Bluetooth, Wi-Fi

Description

The PEANOM1060 Wi-Fi 6e Omni Antenna from Pasternack's is a high performance omnidirectional antenna designed for the 2400 MHz to 7125 MHz bands and is available to ship same day. It is a UV protected, outdoor rated antenna with omnidirectional pattern. The PEANOM1060 is ideally suited for 802.11 protocols including 802.11ax as well as Zigbee, Bluetooth and is 4x4 MIMO capable.

The Pasternack's high performance omni PEANOM1060 is a rugged antenna providing broad coverage, low latency, increased network capacity and 6 dBi gain. This 4 port N Male omnidirectional antenna is suitable for commercial radios and access points in public and private networks that are equipped with N Type connectors.

This Wi-Fi 6e PEANOM1060 omni antenna with 4 N Male connectors, as well as our wide selection of superior quality RF parts, ships same day. Contact our knowledgeable and friendly technical support and sales staff for your answers on antennas or other Pasternack's products.

Configuration

Design	Omni
Application Band	Wi-Fi 6E
Band Type	Dual
Radiation Pattern	Omnidirectional
Polarization	Vertical
Cable Type	RG58/U
Cable Length	36 in [914.4 mm]
Connector Type	N Male
Number of Ports	4

Electrical Specifications

Description	Minimum	Typical	Maximum	Units
Frequency Range	2,400		7,125	MHz
Input VSWR			2:1	
Impedance		50		Ohms
Input Power			50	Watts

Click the following link (or enter part number in "SEARCH" on website) to obtain additional part information including price, inventory and certifications: [2400-2500, 5150-7125 MHz Wi-Fi 6E Omni MIMO Antenna, 4 dBi Gain, 4 N Type Male Connectors PEANOM1060](#)



2400-2500, 5150-7125 MHz Wi-Fi 6E Omni MIMO
Antenna, 4 dBi Gain, 4 N Type Male Connectors

Antennas Technical Data Sheet

PEANOM1060

Specifications by Band

Description	Band 1	Band 2	Band 3	Band 4	Band 5	Units
Range	2.4 to 2.5	5.15 to 7.125				GHz
Gain	4	6				dBi
Horizontal Beam Width	360	360				Degrees
Vertical Beam Width	55	35				Degrees

Mechanical Specifications

Radome Material	UV Resistant ABS
Size	
Overall Length	3 in [76.2 mm]
Width	5.7 in [144.78 mm]
Height	5.7 in [144.78 mm]
Weight	1.09 lbs [494.42 g]
Color	White

Environmental Specifications

Temperature	
Operating Range	-40 to +70 deg C
Humidity	5 to 95

Compliance Certifications (see [product page](#) for current document)

Plotted and Other Data

Notes:

Click the following link (or enter part number in "SEARCH" on website) to obtain additional part information including price, inventory and certifications: [2400-2500, 5150-7125 MHz Wi-Fi 6E Omni MIMO Antenna, 4 dBi Gain, 4 N Type Male Connectors PEANOM1060](#)



2400-2500, 5150-7125 MHz Wi-Fi 6E Omni MIMO
Antenna, 4 dBi Gain, 4 N Type Male Connectors

Antennas Technical Data Sheet

PEANOM1060

2400-2500, 5150-7125 MHz Wi-Fi 6E Omni MIMO Antenna, 4 dBi Gain, 4 N Type Male Connectors from Pasternack Enterprises has same day shipment for domestic and International orders. Our RF, microwave and millimeter wave products maintain a 99.4% availability and are part of the broadest selection in the industry.

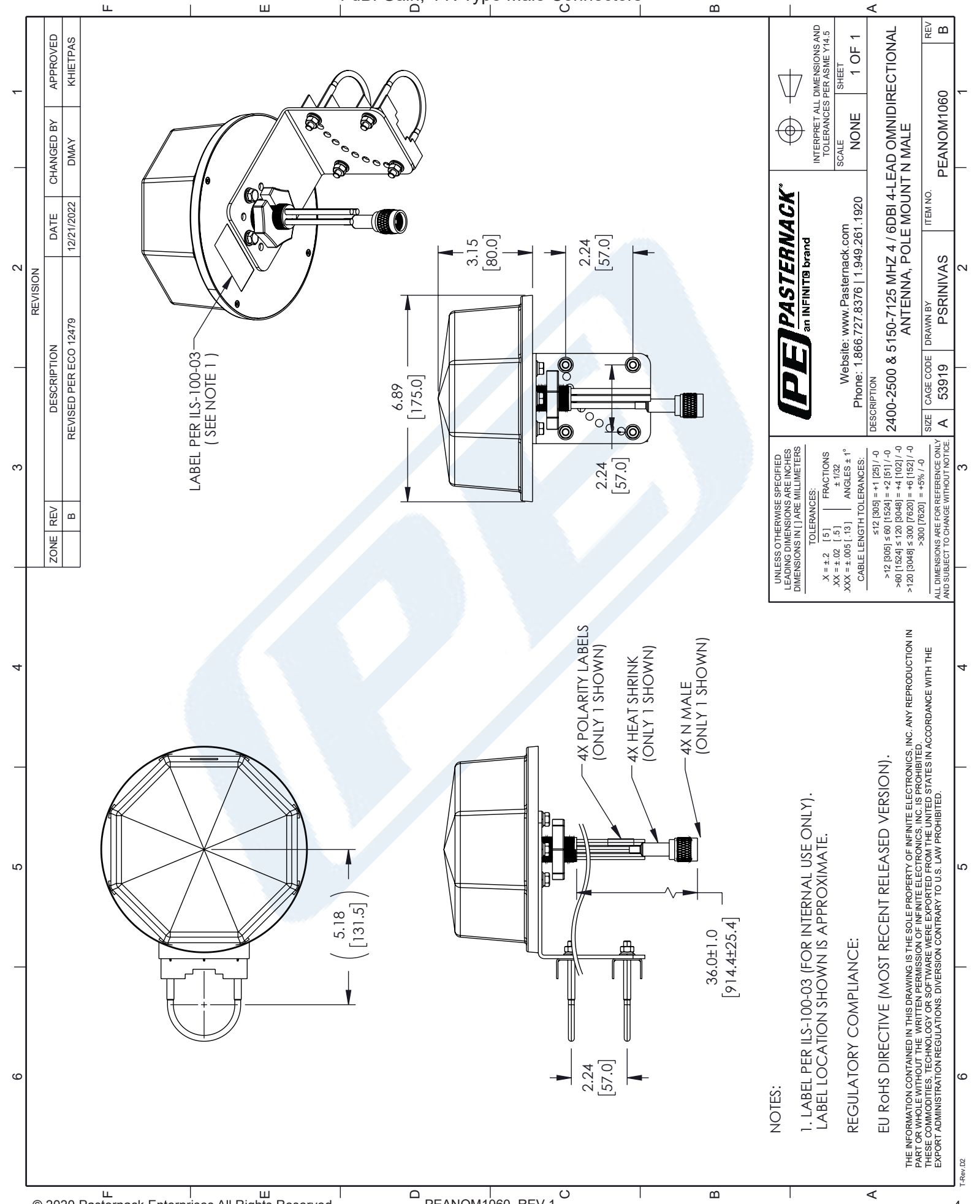
Click the following link (or enter part number in "SEARCH" on website) to obtain additional part information including price, inventory and certifications: [2400-2500, 5150-7125 MHz Wi-Fi 6E Omni MIMO Antenna, 4 dBi Gain, 4 N Type Male Connectors PEANOM1060](https://www.pasternack.com/2400-2500-5150-7125-mhz-wf-fi-6e-omni-mimo-antenna-4-dbi-gain-4-n-type-male-connectors-peanom1060-p.aspx)

URL: <https://www.pasternack.com/2400-2500-5150-7125-mhz-wf-fi-6e-omni-mimo-antenna-4-dbi-gain-4-n-type-male-connectors-peanom1060-p.aspx>

The information contained in this document is accurate to the best of our knowledge and representative of the part described herein. It may be necessary to make modifications to the part and/or the documentation of the part, in order to implement improvements. Pasternack reserves the right to make such changes as required. Unless otherwise stated, all specifications are nominal. Pasternack does not make any representation or warranty regarding the suitability of the part described herein for any particular purpose, and Pasternack does not assume any liability arising out of the use of any part or documentation.

PEANOM1060 CAD Drawing

2400-2500, 5150-7125 MHz Wi-Fi 6E Omni MIMO Antenna,
4 dBi Gain, 4 N Type Male Connectors



ZONE	REV	DESCRIPTION	DATE	CHANGED BY	APPROVED
B		REVISED PER ECO 12479	12/21/2022	DMAY	KHIETPAS

REVISION

<p>PE PASTERNAK an INFINITI® brand</p>	<p>Website: www.Pasternack.com</p> <p>Phone: 1.866.727.8376 1.949.261.1920</p>	<p>INTERPRET ALL DIMENSIONS AND TOLERANCES PER ASME Y14.5</p> <p>SCALE: NONE</p> <p>SHEET: 1 OF 1</p>
	<p>DESCRIPTION</p> <p>2400-2500 & 5150-7125 MHz 4 / 6DBI 4-LEAD OMNIDIRECTIONAL ANTENNA, POLE MOUNT N MALE</p>	<p>SIZE: A</p> <p>CAGE CODE: 53919</p> <p>DRAWN BY: PSRINIVAS</p> <p>ITEM NO.: PEANOM1060</p>

UNLESS OTHERWISE SPECIFIED LEADING DIMENSIONS ARE INCHES DIMENSIONS IN [] ARE MILLIMETERS

TOLERANCES:

X = ±.2 [5] | FRACTIONS ±.02 [.5] | ±.005 [.13] | ANGLES ± 1°

CABLE LENGTH TOLERANCES:

≤12 [305] = +1 [25] / -0

>12 [305] ≤ 60 [1524] = +2 [51] / -0

>60 [1524] ≤ 120 [3048] = +4 [102] / -0

>120 [3048] ≤ 300 [7620] = +6 [152] / -0

>300 [7620] = +5% / -0

ALL DIMENSIONS ARE FOR REFERENCE ONLY AND SUBJECT TO CHANGE WITHOUT NOTICE

NOTES:

1. LABEL PER ILS-100-03 (FOR INTERNAL USE ONLY). LABEL LOCATION SHOWN IS APPROXIMATE.

REGULATORY COMPLIANCE:

EU RoHS DIRECTIVE (MOST RECENT RELEASED VERSION).

THE INFORMATION CONTAINED IN THIS DRAWING IS THE SOLE PROPERTY OF INFINITE ELECTRONICS, INC. ANY REPRODUCTION IN PART OR WHOLE WITHOUT THE WRITTEN PERMISSION OF INFINITE ELECTRONICS, INC. IS PROHIBITED. THESE COMMODITIES, TECHNOLOGY OR SOFTWARE WERE EXPORTED FROM THE UNITED STATES IN ACCORDANCE WITH THE EXPORT ADMINISTRATION REGULATIONS. DIVERSION CONTRARY TO U.S. LAW PROHIBITED.