

31.5 dBi Active GPS/BeiDou Magnet Mount Antenna RHCP 1561/1575 MHz, RG174 SMA Male IPX6



PEANGPS1014

Features

- SMA Male
- Right Hand Circular Polarized
- 28 dB LNA w/ low 1.5 dB Noise Figure
- Neodymium Rare-Earth Magnet
- IPX6 Rated

Applications

- GPS L1/BDS B1
- High Accuracy Global Positioning
- Precision Agriculture, Mining and Construction
- Law Enforcement and Public Safety
- Vehicle Fleet Management

Description

Pasternack's Active GNSS Antenna PEANGPS1014 is Right Hand Circular Polarized with an integrated Neodymium Rare Earth Magnet for a secure mount. The PEANGPS1014 is an active GPS L1 and BDS B1 band antenna with 31.5 dBi Gain. These Magnet Mount active GNSS antenna units are ideally suited for use on vehicles where low profile, low drag, non-penetrating style antennas are needed.

Our GNSS antenna specialists are ready and available to answer any questions you may have on the PEANGPS1014. This high quality SMA male antenna meets GPS L1 and BDS B1 requirements by operating in the 1559 MHz to 1577 MHz frequency range.

The PEANGPS1014 GNSS antenna series from Pasternack are designed for mobile, vehicle, or fleet services to receive GNSS signals from satellite constellations to triangulate geolocations for navigation, tracking, and surveying.

Configuration

Design	GPS Active
Band Type	Single
Polarization	RHCP
Cable Type	RG174
Connector Type	SMA Male
Number of Ports	1

Electrical Specifications

Description	Minimum	Typical	Maximum	Units
Frequency Range	1,559		1,577	MHz
Input VSWR			1.5:1	
Output VSWR			2:1	
Impedance		50		Ohms
Gain		31.5		dBi
Gain Variation		±5		
Noise Figure			1.5	
Out Of Band Rejection	30			dB
Operating DC Voltage	3		5	
Current	6	9	12	mA

31.5 dBi Active GPS/BeiDou Magnet Mount Antenna
RHCP 1561/1575 MHz, RG174 SMA Male IPX6



PEANGPS1014

Specifications by Band

Description	Band 1	Band 2	Band 3	Band 4	Band 5	Units
Range	1.559 to 1.563	1.574 to 1.577				GHz
Center Frequency	1.561	1.575				GHz

Mechanical Specifications

Size

Length	1.9 in [48.26 mm]
Width	1.5 in [38.1 mm]
Height	0.6 in [15.24 mm]
Weight	0.2 lbs [90.72 g]

Environmental Specifications

Temperature

Ingress Protection	IPX6
--------------------	------

Compliance Certifications (see [product page](#) for current document)

Plotted and Other Data

Notes:

31.5 dBi Active GPS/BeiDou Magnet Mount Antenna RHCP 1561/1575 MHz, RG174 SMA Male IPX6



PEANGPS1014

Typical Radiation Pattern

Appendix

Electrical Downtilt: Angle in the antenna's elevation pattern in which the maximum gain occurs.

Gain: Antenna's average gain.

Front to Back Ratio @ 180°±30°: Average difference between the antenna's maximum gain and the maximum gain in the antenna's back lobe over ±30° angles.

Cross-polarization Ratio (dB): Typical difference between the co-polarization and cross-polarization gain across the sector's 3 dB Beam Width.

Dedicated to serving the needs of the Wireless Internet Service Provider (WISP) market, KP Performance Antennas offers purpose built products that reliably perform in the field. KP Performance Antennas product line consists of Yagi, Grid, Omni, Dish and other style antennas that operate in the 900 MHz, 2.4 GHz, 3 GHz, and 5 GHz frequencies.

31.5 dBi Active GPS/BeiDou Magnet Mount Antenna RHCP 1561/1575 MHz, RG174 SMA Male IPX6 from Pasternack Enterprises has same day shipment for domestic and International orders. Our RF, microwave and millimeter wave products maintain a 99.4% availability and are part of the broadest selection in the industry.

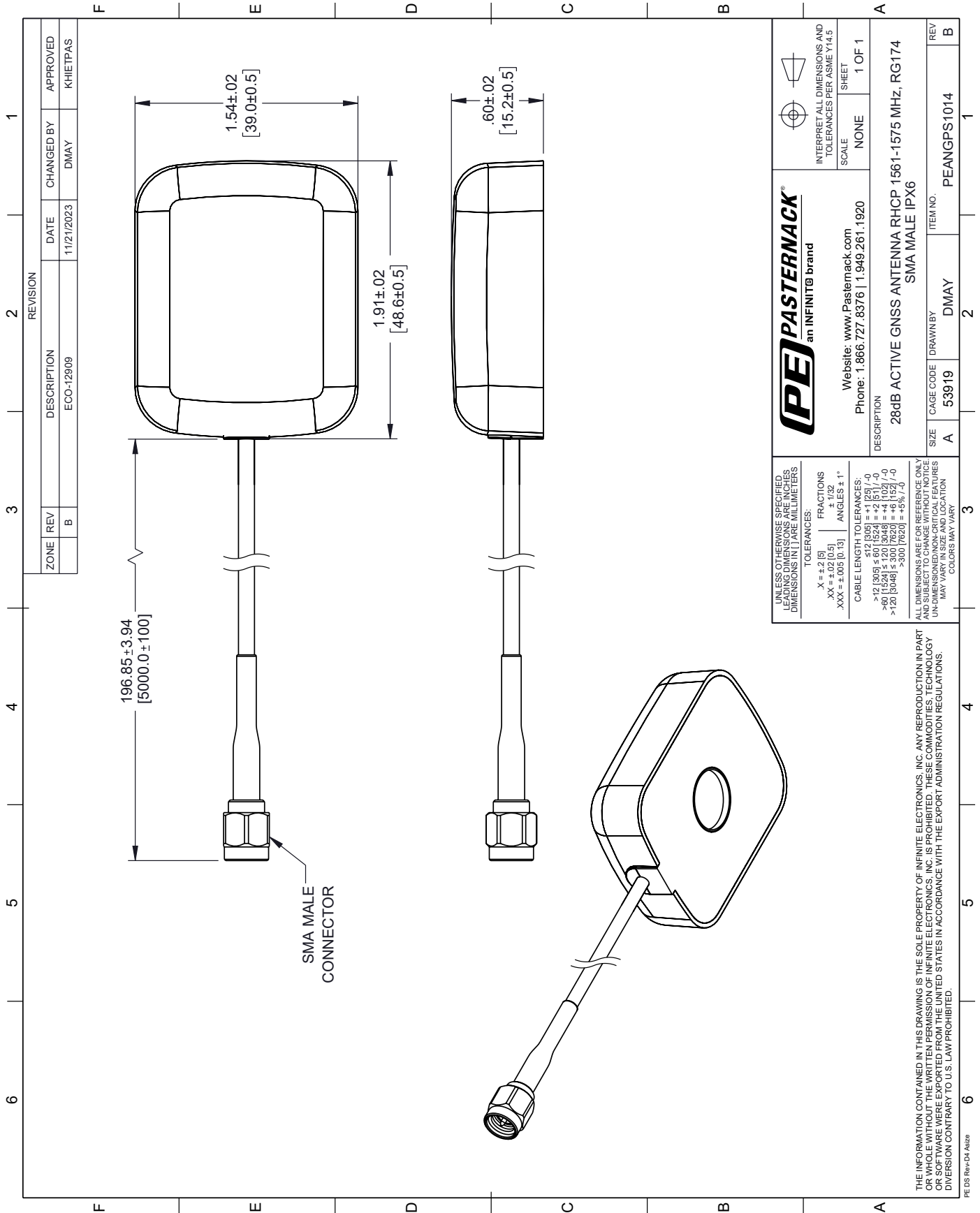
Click the following link (or enter part number in "SEARCH" on website) to obtain additional part information including price, inventory and certifications: [31.5 dBi Active GPS/BeiDou Magnet Mount Antenna RHCP 1561/1575 MHz, RG174 SMA Male IPX6 PEANGPS1014](https://www.pasternack.com/31.5-dbi-active-antenna-1559-1577-mhz-sma-male-connector-peangps1014-p.aspx)

URL: <https://www.pasternack.com/31.5-dbi-active-antenna-1559-1577-mhz-sma-male-connector-peangps1014-p.aspx>

The information contained within this document is accurate to the best of our knowledge and representative of the part described herein. It may be necessary to make modifications to the part and/or the documentation of the part in order to implement improvements. Pasternack Enterprises reserves the right to make such changes as required. Unless otherwise stated, all specifications are nominal. Pasternack Enterprises does not make any representation or warranty regarding the suitability of the part described herein for any particular purpose, and Pasternack Enterprises does not assume liability arising out of the use of any part or document.

PEANGPS1014 CAD Drawing

31.5 dBi Active GPS/BeiDou Magnet Mount Antenna RHCP 1561/1575 MHz, RG174 SMA Male IPX6



REVISION		DATE	CHANGED BY	APPROVED
ZONE	REV	DESCRIPTION		
	B	ECO-129/09	DMAY	KHIETPAS

<p>PASTERNAK an INFINITT® brand</p>		<p>INTERPRET ALL DIMENSIONS AND TOLERANCES PER ASME Y14.5</p> <p>SCALE: NONE</p> <p>SHEET: 1 OF 1</p>
<p>UNLESS OTHERWISE SPECIFIED LEADING DIMENSIONS ARE INCHES DIMENSIONS IN [] ARE MILLIMETERS</p> <p>TOLERANCES:</p> <p>X = ± 0.015 [0.38] FRACTIONS ± 1/32</p> <p>.XX = ± 0.02 [0.5] ANGLES ± 1°</p> <p>.XXX = ± 0.05 [1.27]</p>		<p>Website: www.Pasternack.com</p> <p>Phone: 1.866.727.8376 1.949.261.1920</p>
<p>CABLE LENGTH TOLERANCES:</p> <p>>12 [305] ≤ 60 [1524] = +1 [25] / -0</p> <p>>60 [1524] ≤ 120 [3048] = +4 [102] / -0</p> <p>>120 [3048] ≤ 300 [7620] = +5 [127] / -0</p> <p>>300 [7620] = +5 [127] / -0</p>		<p>DESCRIPTION</p> <p>28dB ACTIVE GNSS ANTENNA RHCP 1561-1575 MHz, RG174 SMA MALE IPX6</p>
<p>ALL DIMENSIONS ARE FOR REFERENCE ONLY. DIMENSIONS ON DIMENSION LINES ARE THE GOVERNING DIMENSIONS. UNLESS OTHERWISE SPECIFIED, DIMENSIONS ON NON-CRITICAL FEATURES MAY VARY IN SIZE AND LOCATION. COLORS MAY VARY.</p>		<p>ITEM NO. PEANGPS1014</p> <p>SIZE A</p> <p>CAGE CODE 53919</p> <p>DRAWN BY DMAY</p>

THE INFORMATION CONTAINED IN THIS DRAWING IS THE SOLE PROPERTY OF INFINITE ELECTRONICS, INC. ANY REPRODUCTION IN PART OR WHOLE WITHOUT THE WRITTEN PERMISSION OF INFINITE ELECTRONICS, INC. IS PROHIBITED. THESE COMMODITIES, TECHNOLOGY OR SOFTWARE WERE EXPORTED FROM THE UNITED STATES IN ACCORDANCE WITH THE EXPORT ADMINISTRATION REGULATIONS. DIVERSION CONTRARY TO U.S. LAW PROHIBITED.

PE DS Rev-04 A1828