

## 31 dBi Active GPS/GLONASS Magnet Mount Antenna RHCP 1575/1602 MHz, RG174 SMA Male IPX6



### PEANGPS1010

#### Features

- SMA Male
- Right Hand Circular Polarized
- 28 dB LNA w/ low 1.5 dB Noise Figure
- Neodymium Rare-Earth Magnet
- IPX6 Rated

#### Applications

- GPS L1/GLONASS G1
- High Accuracy Global Positioning
- Precision Agriculture, Mining and Construction
- Law Enforcement and Public Safety
- Vehicle Fleet Management

#### Description

Pasternack's Active GNSS Antenna PEANGPS1010 is Right Hand Circular Polarized with an integrated Neodymium Rare Earth Magnet for a secure mount. The PEANGPS1010 is an active GPS L1 and GLONASS G1 band antenna with 31 dBi Gain. These Magnet Mount active GNSS antenna units are ideally suited for use on vehicles where low profile, low drag, non-penetrating style antennas are needed.

Our GNSS antenna specialists are ready and available to answer any questions you may have on the PEANGPS1010. This high quality SMA male antenna meets GPS L1 and GLONASS G1 requirements by operating in the 1574 MHz to 1607 MHz frequency range.

The PEANGPS1010 GNSS antenna series from Pasternack are designed for mobile, vehicle, or fleet services to receive GNSS signals from satellite constellations to triangulate geolocations for navigation, tracking, and surveying.

#### Configuration

Design	GPS Active
Band Type	Single
Polarization	RHCP
Cable Type	RG174
Connector Type	SMA Male
Number of Ports	1

#### Electrical Specifications

Description	Minimum	Typical	Maximum	Units
Frequency Range	1,574		1,607	MHz
Input VSWR			1.5:1	
Output VSWR			2:1	
Impedance		50		Ohms
Gain		31		dBi
Gain Variation		±5		
Noise Figure			1.5	
Out Of Band Rejection	30			dB
Operating DC Voltage	3		5	
Current	5.5	8.5	11.5	mA

31 dBi Active GPS/GLONASS Magnet Mount Antenna  
RHCP 1575/1602 MHz, RG174 SMA Male IPX6



**PEANGPS1010**

**Specifications by Band**

Description	Band 1	Band 2	Band 3	Band 4	Band 5	Units
Range	1.574 to 1.577	1.597 to 1.607				GHz
Center Frequency	1.575	1.602				GHz

**Mechanical Specifications**

**Size**

Length	1.5 in [38.1 mm]
Width	1.3 in [33.02 mm]
Height	0.5 in [12.7 mm]
Weight	0.2 lbs [90.72 g]

**Environmental Specifications**

**Temperature**

Ingress Protection	IPX6
--------------------	------

**Compliance Certifications** (see [product page](#) for current document)

**Plotted and Other Data**

Notes:

## 31 dBi Active GPS/GLONASS Magnet Mount Antenna RHCP 1575/1602 MHz, RG174 SMA Male IPX6



### PEANGPS1010

#### Typical Radiation Pattern

#### Appendix

**Electrical Downtilt:** Angle in the antenna's elevation pattern in which the maximum gain occurs.

**Gain:** Antenna's average gain.

**Front to Back Ratio @ 180°±30°:** Average difference between the antenna's maximum gain and the maximum gain in the antenna's back lobe over ±30° angles.

**Cross-polarization Ratio (dB):** Typical difference between the co-polarization and cross-polarization gain across the sector's 3 dB Beam Width.

Dedicated to serving the needs of the Wireless Internet Service Provider (WISP) market, KP Performance Antennas offers purpose built products that reliably perform in the field. KP Performance Antennas product line consists of Yagi, Grid, Omni, Dish and other style antennas that operate in the 900 MHz, 2.4 GHz, 3 GHz, and 5 GHz frequencies.

31 dBi Active GPS/GLONASS Magnet Mount Antenna RHCP 1575/1602 MHz, RG174 SMA Male IPX6 from Pasternack Enterprises has same day shipment for domestic and International orders. Our RF, microwave and millimeter wave products maintain a 99.4% availability and are part of the broadest selection in the industry.

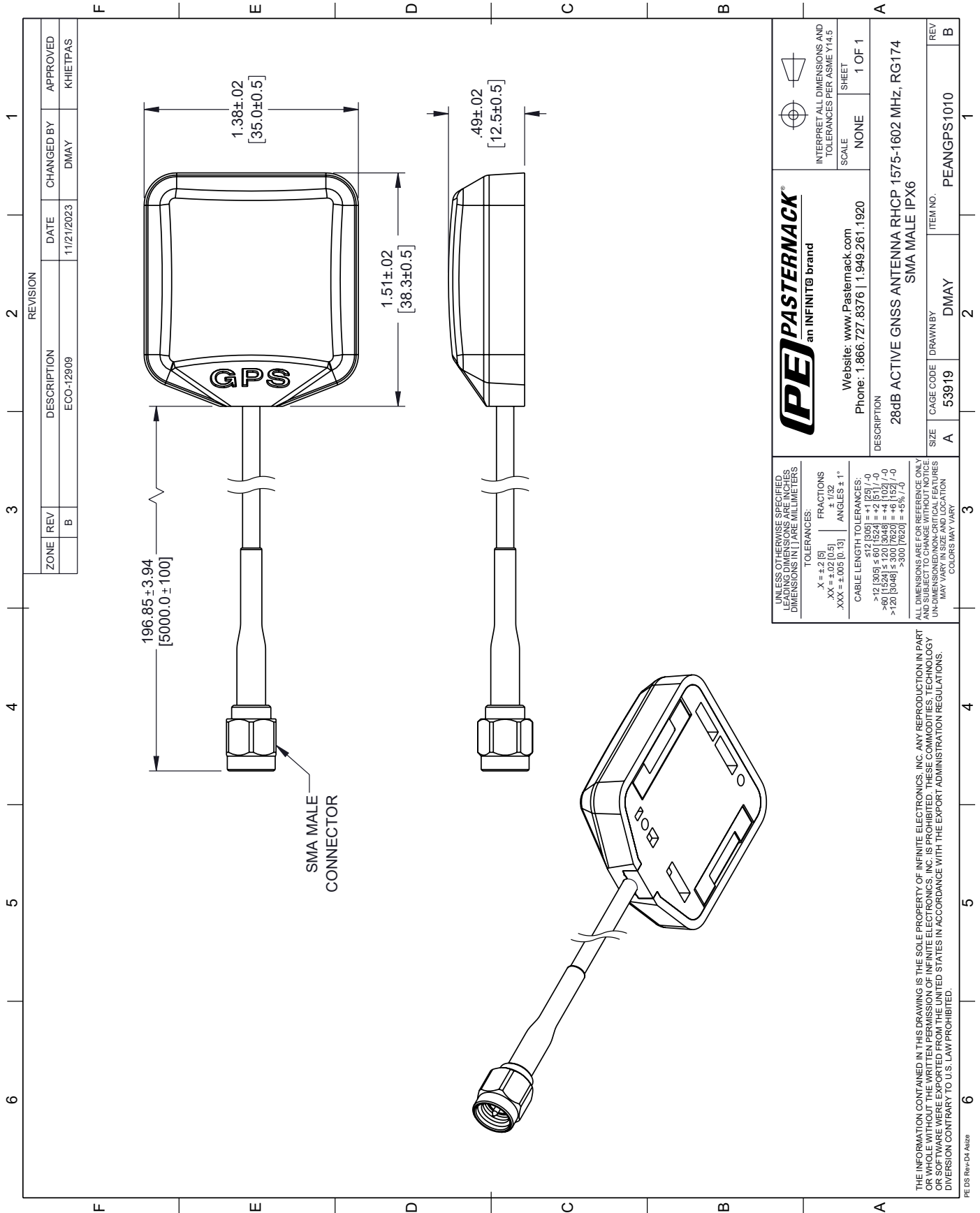
Click the following link (or enter part number in "SEARCH" on website) to obtain additional part information including price, inventory and certifications: [31 dBi Active GPS/GLONASS Magnet Mount Antenna RHCP 1575/1602 MHz, RG174 SMA Male IPX6 PEANGPS1010](#)

URL: <https://www.pasternack.com/31-dbi-gps-active-antenna-1574-1607-mhz-sma-male-connector-peangps1010-p.aspx>

The information contained within this document is accurate to the best of our knowledge and representative of the part described herein. It may be necessary to make modifications to the part and/or the documentation of the part in order to implement improvements. Pasternack Enterprises reserves the right to make such changes as required. Unless otherwise stated, all specifications are nominal. Pasternack Enterprises does not make any representation or warranty regarding the suitability of the part described herein for any particular purpose, and Pasternack Enterprises does not assume liability arising out of the use of any part or document.

# PEANGPS1010 CAD Drawing

31 dBi Active GPS/GLONASS Magnet Mount Antenna RHCP 1575/1602 MHz, RG174 SMA Male IPX6



REVISION		DATE	CHANGED BY	APPROVED
ZONE	REV	DESCRIPTION		
	B	ECO-12909	DMAY	KHIETPAS

 <b>PASTERNAK</b> an INFINITTE brand		INTERPRET ALL DIMENSIONS AND TOLERANCES PER ASME Y14.5 SCALE: NONE SHEET: 1 OF 1
Website: <a href="http://www.Pasternack.com">www.Pasternack.com</a> Phone: 1.866.727.8376   1.949.261.1920		
DESCRIPTION: <b>28dB ACTIVE GNSS ANTENNA RHCP 1575-1602 MHz, RG174 SMA MALE IPX6</b>		
SIZE	CAGE CODE	ITEM NO.
A	53919	PEANGPS1010

UNLESS OTHERWISE SPECIFIED LEADING DIMENSIONS ARE INCHES DIMENSIONS IN [ ] ARE MILLIMETERS

TOLERANCES:  
 .X = ±.2 [5]    FRACTIONS ± 1/32  
 .XX = ±.02 [0.5]    ANGLES ± 1°  
 .XXX = ±.005 [0.13]

CABLE LENGTH TOLERANCES:  
 >12 [305] ≤ 60 [1524] = +1 [25] / -0  
 >60 [1524] ≤ 120 [3048] = +4 [102] / -0  
 >120 [3048] ≤ 300 [7620] = +5 [127] / -0  
 >300 [7620] = +5 [127] / -0

ALL DIMENSIONS ARE FOR REFERENCE ONLY UNLESS OTHERWISE SPECIFIED. DIMENSIONS ON CRITICAL FEATURES MAY VARY IN SIZE AND LOCATION. COLORS MAY VARY.

THE INFORMATION CONTAINED IN THIS DRAWING IS THE SOLE PROPERTY OF INFINITE ELECTRONICS, INC. ANY REPRODUCTION IN PART OR WHOLE WITHOUT THE WRITTEN PERMISSION OF INFINITE ELECTRONICS, INC. IS PROHIBITED. THESE COMMODITIES, TECHNOLOGY OR SOFTWARE WERE EXPORTED FROM THE UNITED STATES IN ACCORDANCE WITH THE EXPORT ADMINISTRATION REGULATIONS. DIVERSION CONTRARY TO U.S. LAW PROHIBITED.

PE DS Rev-04 A1828