



Folded Dipole Antenna with 400 to 470 MHz, 3 dBi, N Female, Vertical Polarization, 1 Port, 1.5 VSWR

Antennas Technical Data Sheet

PEANED1014

Features

- Frequency coverage for 400 MHz to 470 MHz with Type N Female connector and gain 3 dBi / 0.85 dBd antennas
- Multiple Folded dipoles can be mounted on a mast for best performance
- Field adjustable radiation patterns with 100W max input power per port
- Easy and quick time to installations with U-Bolt mounts
- Industrially tuned folded dipole allows plug and play
- Weather and corrosion free made of high-grade aluminum alloys
- Vertical Polarization

Applications

- Outdoor point-to-point (PtP) or point-to-multipoint (PtMP) applications
- UHF radio applications supported with Trunking for two-way radio communications
- Public Safety / Emergency services / Marine communications / Rail road communications
- Tetra and P-25 Applications exclusively supported
- Land Mobile Radio (LMR) and Private Mobile Radio (PMR)
- Fixed and mobile services for paging/voice/data in full duplex and half duplex mode

Description

Pasternack's PEANED1014 3 dBi folded dipole antenna, with N female connector, is an economical yet high-performance antenna designed for high-power applications. The folded dipole antenna's beamwidth can be adjusted according to applications by fixing dipoles at certain heights and directions. This high gain 3 dBi antenna transmits high-power signals, increasing the signal strength and thus providing improved coverage, better-broadcast control, and faster speed. This folded dipole antenna can output frequencies from 400 to 470 MHz, which is useful for military communications, trunking, public safety, industrial communication, and amateur radio applications.

Pasternack's folded dipole antenna uses vertical polarization to transmit signals, thus reducing interference and performing better at lower heights. All components of this 3 dBi antenna are DC grounded for lightning protection, rugged outdoor design, and have a high-power handling capacity. The folded dipole antenna has 1 port to connect an external circuit with 100W maximum input power per port.

This Pasternack's 400 to 470 MHz VHF/UHF antenna is one of the simplest and most widely used antenna producing radiation patterns like that of an electric dipole. PEANED1014 folded dipole antenna is a dipole stand-alone made of aluminum alloy, and thus packaging, transportation, and installation become easier. It has a 1.5 VSWR that results in the best power transfer and reduced losses. It comes with a threaded and weatherproof N female connector type which ensuring a reliable physical connection and can be fixed on a pole using the U-bolt brackets that come with the antenna.

PEANED1014 antenna with a 3 dBi maximum gain is ideal for LMR, military, airports, construction, mining, commercial applications, and radio users. This PEANED1014 folded dipole antenna from Pasternack comes in compact packaging for lower shipping costs. Pasternack's 400 to 470 MHz, 3 dBi folded dipole antenna with a N female connector is in stock and ready to ship the same day. Contact Pasternack's knowledgeable and friendly technical support and sales staff for your answers on antennas or other products.

Click the following link (or enter part number in "SEARCH" on website) to obtain additional part information including price, inventory and certifications: [Folded Dipole Antenna with 400 to 470 MHz, 3 dBi, N Female, Vertical Polarization, 1 Port, 1.5 VSWR PEANED1014](#)



Folded Dipole Antenna with 400 to 470 MHz, 3 dBi, N Female, Vertical Polarization, 1 Port, 1.5 VSWR

Antennas Technical Data Sheet

PEANED1014

Configuration

Design	Dipole
Band Type	Single
Radiation Pattern	Omni Directional
Polarization	Vertical
Connector Type	N Female
Number of Ports	1
Lightning Protection	DC Ground

Electrical Specifications

Description	Minimum	Typical	Maximum	Units
Frequency Range	400		470	MHz
Input VSWR			1.5:1	
Impedance		50		Ohms
Gain			3	dBi
Input Power			100	Watts

Mechanical Specifications

Radome Material	Aluminum Alloy
Size	
Overall Length	12.5 in [317.5 mm]
Width	13.6 in [345.44 mm]
Height	1.3 in [33.02 mm]
Weight	10.56 lbs [4.79 kg]

Environmental Specifications

Temperature	
Operating Range	-40 to +80 deg C

Compliance Certifications (see [product page](#) for current document)

Plotted and Other Data

Notes:

Click the following link (or enter part number in "SEARCH" on website) to obtain additional part information including price, inventory and certifications: [Folded Dipole Antenna with 400 to 470 MHz, 3 dBi, N Female, Vertical Polarization, 1 Port, 1.5 VSWR PEANED1014](#)



Folded Dipole Antenna with 400 to 470 MHz, 3 dBi, N Female, Vertical Polarization, 1 Port, 1.5 VSWR

Antennas Technical Data Sheet

PEANED1014

Folded Dipole Antenna with 400 to 470 MHz, 3 dBi, N Female, Vertical Polarization, 1 Port, 1.5 VSWR from Pasternack Enterprises has same day shipment for domestic and International orders. Our RF, microwave and millimeter wave products maintain a 99.4% availability and are part of the broadest selection in the industry.

Click the following link (or enter part number in "SEARCH" on website) to obtain additional part information including price, inventory and certifications: [Folded Dipole Antenna with 400 to 470 MHz, 3 dBi, N Female, Vertical Polarization, 1 Port, 1.5 VSWR PEANED1014](https://www.pasternack.com/antenna-400-470-mhz-n-type-female-connector-peaned1014-p.aspx)

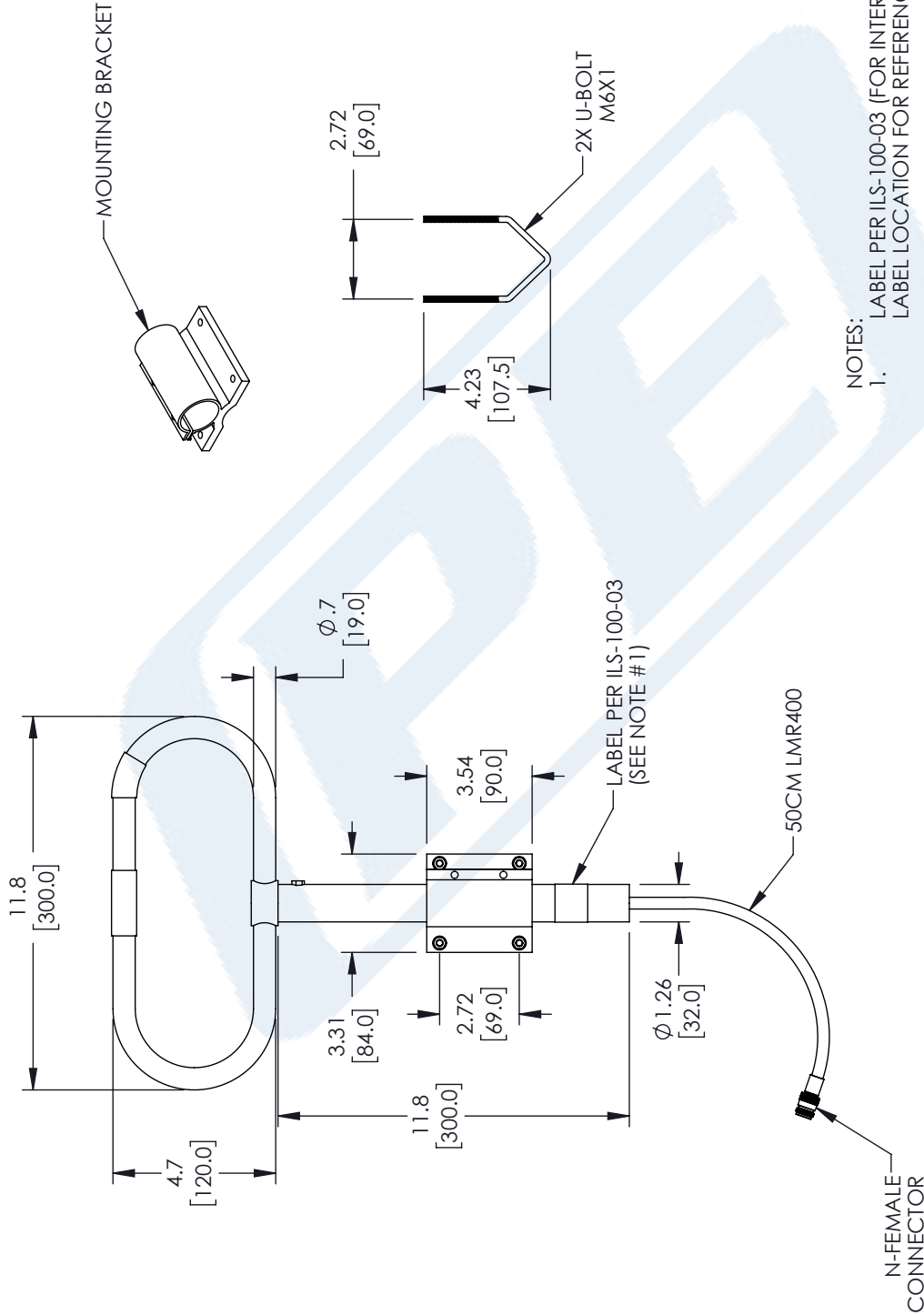
URL: <https://www.pasternack.com/antenna-400-470-mhz-n-type-female-connector-peaned1014-p.aspx>

The information contained in this document is accurate to the best of our knowledge and representative of the part described herein. It may be necessary to make modifications to the part and/or the documentation of the part, in order to implement improvements. Pasternack reserves the right to make such changes as required. Unless otherwise stated, all specifications are nominal. Pasternack does not make any representation or warranty regarding the suitability of the part described herein for any particular purpose, and Pasternack does not assume any liability arising out of the use of any part or documentation.

PEANED1014 CAD Drawing

Folded Dipole Antenna with 400 to 470 MHz, 3 dBi, N
Female, Vertical Polarization, 1 Port, 1.5 VSWR

REVISIONS			
REV.	DESCRIPTION	DATE	APPROVED
A	INITIAL RELEASE	5/5/2022	KHIETPAS



NOTES:
1. LABEL PER ILS-100-03 (FOR INTERNAL REFERENCE ONLY).
LABEL LOCATION FOR REFERENCE ONLY.

UNLESS OTHERWISE SPECIFIED
LEADING DIMENSIONS ARE INCHES
DIMENSIONS IN [] ARE MILLIMETERS

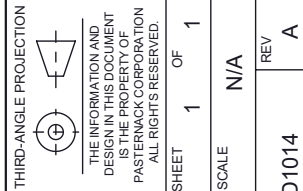
TOLERANCES:
.X = ±.2 [5.08] FRACTIONS ± 1/32
.XX = ±.02 [.51] ANGLES ± 1°
.XXX = ±.005 [.13] CABLE LENGTH (L), TOLERANCES:
L ≤ 12 [305] = +1 [25] / -0
12 [305] < L ≤ 60 [1524] = +2 [51] / -0
60 [1524] < L ≤ 120 [3048] = +4 [102] / -0
120 [3048] < L ≤ 300 [7620] = +6 [152] / -0
300 [7620] < L = +5% / -0

ALL DIMENSIONS SHOWN
ARE FOR REFERENCE ONLY.

PE PASTERNAK
an INFINITI brand

Pasternack Enterprises, Inc.
P. O. Box 16759, Irvine, CA 92623.
Phone: 1.949.261.1920 | 1.866.727.8376
Fax: 1.949.261.7451
Website: www.pasternack.com
E-mail: sales@pasternack.com

ITEM NO. PEANED1014
DRAWN BY DMAY
CAGE CODE 53919
SCALE N/A
SHEET 1 OF 1



THESE COMMODITIES, TECHNOLOGY OR SOFTWARE WERE EXPORTED FROM THE UNITED STATES IN ACCORDANCE WITH THE EXPORT ADMINISTRATION REGULATIONS. DIVERSION CONTRARY TO U.S. LAW PROHIBITED.