



SMPS Female to SMPS Female Adapter, Bullet,  
OAL 0.098 inches, 65 GHz, 50 Ohm

## RF Adapters Technical Data Sheet

**PE9990**

### Configuration

- SMPS Female Connector 1
- SMPS Female Connector 2
- 50 Ohm
- Straight Body Geometry

### Features

- 50  $\mu$ m minimum contact plating
- Gold Plated Beryllium Copper Contact

### Applications

- General Purpose Test

### Description

Pasternack's PE9990 SMPS female to SMPS female adapter is part of our full line of RF components available for same-day shipping. Our SMPS to SMPS adapter has a female to female gender configuration. PE9990 SMPS female to SMPS female adapter operates to 65 GHz.

RF adapters are often used to enable connections between two connector types that would otherwise not mate. Certain adapter configurations can also be used to protect connectors on expensive equipment where the number of connect/disconnect cycles is high. An RF, microwave or millimeter wave adapter is connected to the equipment, and the commonly changed connection is made with the adapter which can be easily replaced when it wears out after high usage; such adapters are referred to as connector savers. Pasternack also offers bulkhead, panel mount, hermetically sealed, reverse polarity, and isolated ground adapter varieties to serve all of your RF, microwave and millimeter wave needs.

### Electrical Specifications

Description	Minimum	Typical	Maximum	Units
Frequency Range	DC		65	GHz
Impedance		50 Ohm		
Insertion Loss			0.64	dB

### Mechanical Specifications

Size	
Length	0.10 in [2.49 mm]
Width	0.07 in [1.73 mm]
Height	0.07 in [1.73 mm]
Weight	0.00 lbs [0.05 g]

Click the following link (or enter part number in "SEARCH" on website) to obtain additional part information including price, inventory and certifications: [SMPS Female to SMPS Female Adapter, Bullet, OAL 0.098 inches, 65 GHz, 50 Ohm PE9990](#)



SMPS Female to SMPS Female Adapter, Bullet,  
OAL 0.098 inches, 65 GHz, 50 Ohm

## RF Adapters Technical Data Sheet

**PE9990**

Description	Connector 1	Connector 2
Type	SMPS Female	SMPS Female
Polarity	Standard	Standard
Mating Cycles, Min*	500	500

Mechanical Specification Notes:

\*500 cycles when mated with Smooth Bore and 100 cycles when mated with Full Detent male connector.

### Material Specifications

Description	Connector 1		Connector 2	
	Material	Plating	Material	Plating
Type	SMPS Female		SMPS Female	
Contact	Beryllium Copper	Gold 50 µin minimum	Beryllium Copper	Gold 50 µin minimum
Insulation	PTFE		PTFE	
Outer Conductor	Beryllium Copper	Gold 50 µin minimum	Beryllium Copper	Gold 50 µin minimum

### Environmental Specifications

#### Temperature

Operating Range -55 to -165 °C

Humidity

MIL-STD-202, Method 106, Less Step 7B

Shock

MIL-STD-202, Method 213, Condition I

Vibration

MIL-STD-202, Method 204, Condition D

Thermal Shock

MIL-STD-202, Method 107, Condition B

**Compliance Certifications** (see [product page](#) for current document)

### Plotted and Other Data

Notes:

Click the following link (or enter part number in "SEARCH" on website) to obtain additional part information including price, inventory and certifications: [SMPS Female to SMPS Female Adapter, Bullet, OAL 0.098 inches, 65 GHz, 50 Ohm PE9990](#)



SMPS Female to SMPS Female Adapter, Bullet,  
OAL 0.098 inches, 65 GHz, 50 Ohm

## RF Adapters Technical Data Sheet

**PE9990**

SMPS Female to SMPS Female Adapter, Bullet, OAL 0.098 inches, 65 GHz, 50 Ohm from Pasternack Enterprises has same day shipment for domestic and International orders. Our RF, microwave and millimeter wave products maintain a 99.4% availability and are part of the broadest selection in the industry.

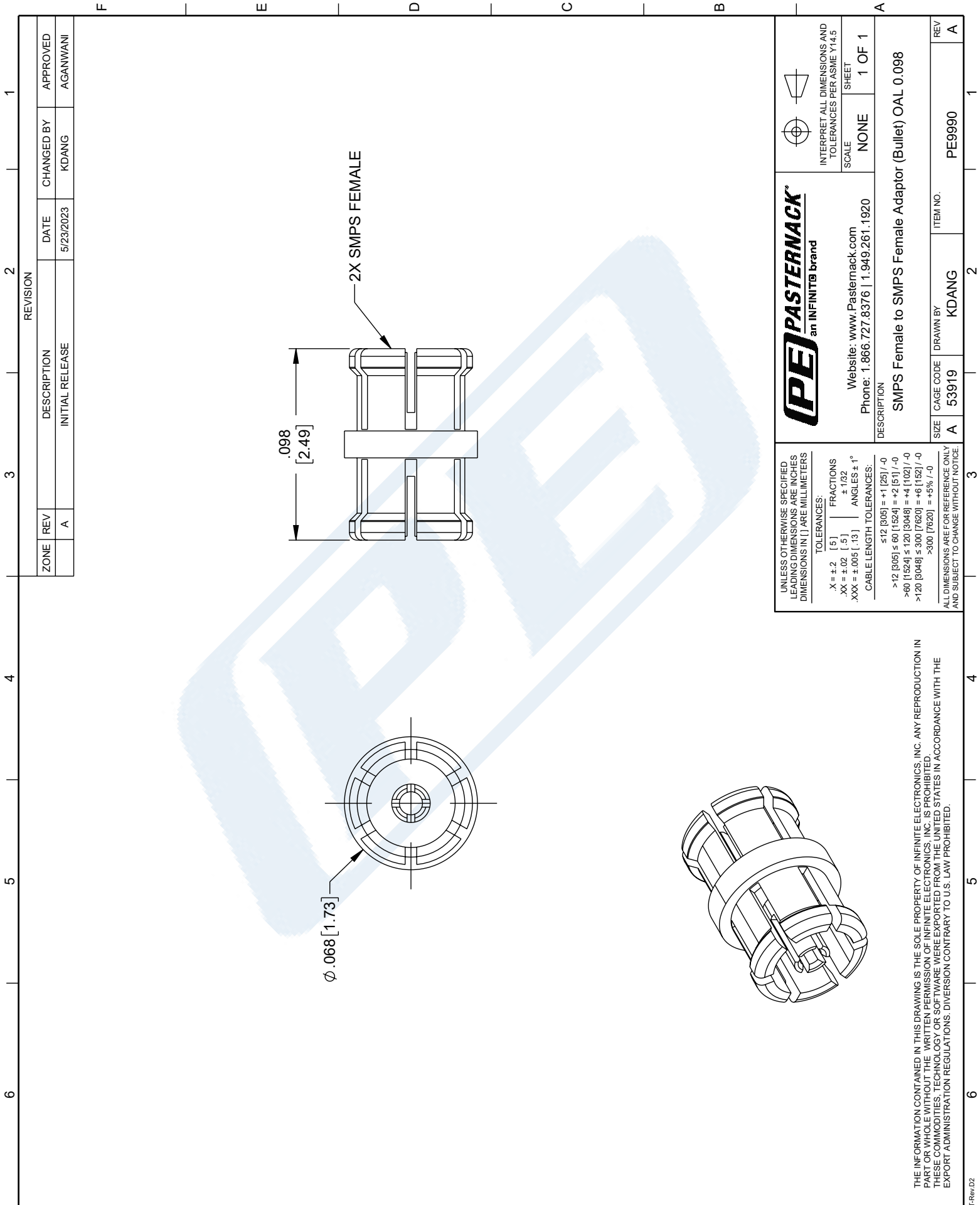
Click the following link (or enter part number in "SEARCH" on website) to obtain additional part information including price, inventory and certifications: [SMPS Female to SMPS Female Adapter, Bullet, OAL 0.098 inches, 65 GHz, 50 Ohm PE9990](https://www.pasternack.com/smps-female-to-smps-female-adapter-pe9990-p.aspx)

URL: <https://www.pasternack.com/smps-female-to-smps-female-adapter-pe9990-p.aspx>

The information contained in this document is accurate to the best of our knowledge and representative of the part described herein. It may be necessary to make modifications to the part and/or the documentation of the part, in order to implement improvements. Pasternack reserves the right to make such changes as required. Unless otherwise stated, all specifications are nominal. Pasternack does not make any representation or warranty regarding the suitability of the part described herein for any particular purpose, and Pasternack does not assume any liability arising out of the use of any part or documentation.

# PE9990 CAD Drawing

SMPS Female to SMPS Female Adapter, Bullet, OAL 0.098 inches, 65 GHz, 50 Ohm



ZONE	REV	DESCRIPTION	DATE	CHANGED BY	APPROVED
	A	INITIAL RELEASE	5/23/2023	KDANG	AGANWANI

<p>an INFINIT® brand</p> <p>Website: <a href="http://www.Pasternack.com">www.Pasternack.com</a> Phone: 1.866.727.8376   1.949.261.1920</p>	<p>INTERPRET ALL DIMENSIONS AND TOLERANCES PER ASME Y14.5</p>
	<p>SCALE: NONE</p> <p>SHEET: 1 OF 1</p>
<p>DESCRIPTION: SMPS Female to SMPS Female Adaptor (Bullet) OAL 0.098</p>	
<p>SIZE: A</p> <p>CAGE CODE: 53919</p> <p>DRAWN BY: KDANG</p>	<p>ITEM NO.: PE9990</p> <p>REV: A</p>

UNLESS OTHERWISE SPECIFIED LEADING DIMENSIONS ARE INCHES DIMENSIONS IN [ ] ARE MILLIMETERS

TOLERANCES:  
 X = ±.2 [5] FRACTIONS ±.1032  
 .XX = ±.02 [.5] ANGLES ± 1°  
 .XXX = ±.005 [.13]

CABLE LENGTH TOLERANCES:  
 ≤12 [305] = +1 [25] / -0  
 >12 [305] ≤ 60 [1524] = +2 [51] / -0  
 >60 [1524] ≤ 120 [3048] = +4 [102] / -0  
 >120 [3048] ≤ 300 [7620] = +6 [152] / -0  
 >300 [7620] = +5% / -0

ALL DIMENSIONS ARE FOR REFERENCE ONLY AND SUBJECT TO CHANGE WITHOUT NOTICE.

THE INFORMATION CONTAINED IN THIS DRAWING IS THE SOLE PROPERTY OF INFINITE ELECTRONICS, INC. ANY REPRODUCTION IN PART OR WHOLE WITHOUT THE WRITTEN PERMISSION OF INFINITE ELECTRONICS, INC. IS PROHIBITED. THESE COMMODITIES, TECHNOLOGY OR SOFTWARE WERE EXPORTED FROM THE UNITED STATES IN ACCORDANCE WITH THE EXPORT ADMINISTRATION REGULATIONS. DIVERSION CONTRARY TO U.S. LAW PROHIBITED.