



3.5mm NMD Female to N Male Adapter

RF Adapters Technical Data Sheet

PE9987

Configuration

- 3.5mm NMD Female Connector 1
- N Male Connector 2
- 50 Ohm
- Straight Body Geometry

Features

- Max VSWR of 1.15:1 up to 18 GHz
- 4 μ m minimum contact plating
- Gold Plated Beryllium Copper Contact
- 30 μ m min Gold Contact Plating

Applications

- Allows Connection Between Series
- General Purpose Test

Description

Pasternack's PE9987 3.5mm NMD female to type N male adapter is part of our full line of RF components available for same-day shipping. Our 3.5mm NMD to type N adapter has a female to male gender configuration built of durable stainless steel. PE9987 3.5mm NMD female to type N male adapter operates to 18 GHz. The Pasternack RF adapter provides excellent VSWR of 1.15:1 maximum.

RF adapters are often used to enable connections between two connector types that would otherwise not mate. Certain adapter configurations can also be used to protect connectors on expensive equipment where the number of connect/disconnect cycles is high. An RF, microwave or millimeter wave adapter is connected to the equipment, and the commonly changed connection is made with the adapter which can be easily replaced when it wears out after high usage; such adapters are referred to as connector savers. Pasternack also offers bulkhead, panel mount, hermetically sealed, reverse polarity, and isolated ground adapter varieties to serve all of your RF, microwave and millimeter wave needs.

Electrical Specifications

Description	Minimum	Typical	Maximum	Units
Frequency Range	DC		18	GHz
VSWR			1.15:1	
Operating Voltage (AC)			500	Vrms

Mechanical Specifications

Size

Length	1.77 in [44.96 mm]
Width	0.87 in [22.1 mm]
Height	0.87 in [22.1 mm]

Description	Connector 1	Connector 2
Type	3.5mm NMD Female	N Male
Polarity	Standard	Standard

Click the following link (or enter part number in "SEARCH" on website) to obtain additional part information including price, inventory and certifications: [3.5mm NMD Female to N Male Adapter PE9987](#)



3.5mm NMD Female to N Male Adapter

RF Adapters Technical Data Sheet

PE9987

Material Specifications

Description	Connector 1		Connector 2	
	Material	Plating	Material	Plating
Type	3.5mm NMD Female		N Male	
Contact	Beryllium Copper	Gold 4 µin minimum	Beryllium Copper	Gold 4 µin minimum
Body	Stainless Steel	Passivated Stainless Steel 100 µin minimum	Stainless Steel	Passivated Stainless Steel 100 µin minimum

Environmental Specifications

Temperature

Operating Range -65 to +165 °C

Compliance Certifications (see [product page](#) for current document)

Plotted and Other Data

Notes:

3.5mm NMD Female to N Male Adapter from Pasternack Enterprises has same day shipment for domestic and International orders. Our RF, microwave and millimeter wave products maintain a 99.4% availability and are part of the broadest selection in the industry.

Click the following link (or enter part number in "SEARCH" on website) to obtain additional part information including price, inventory and certifications: [3.5mm NMD Female to N Male Adapter PE9987](#)

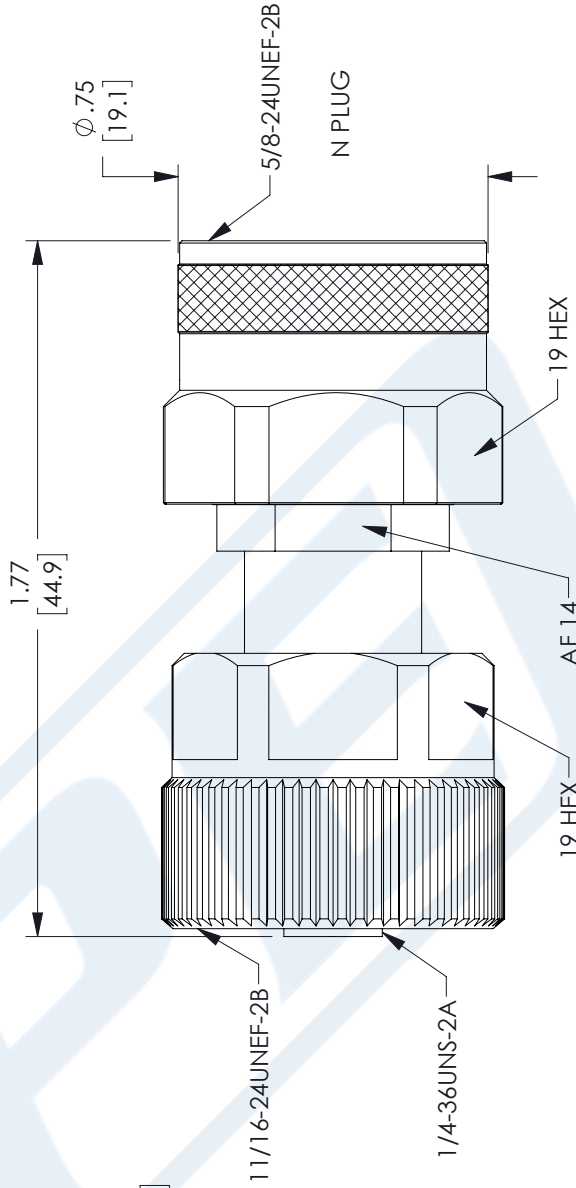
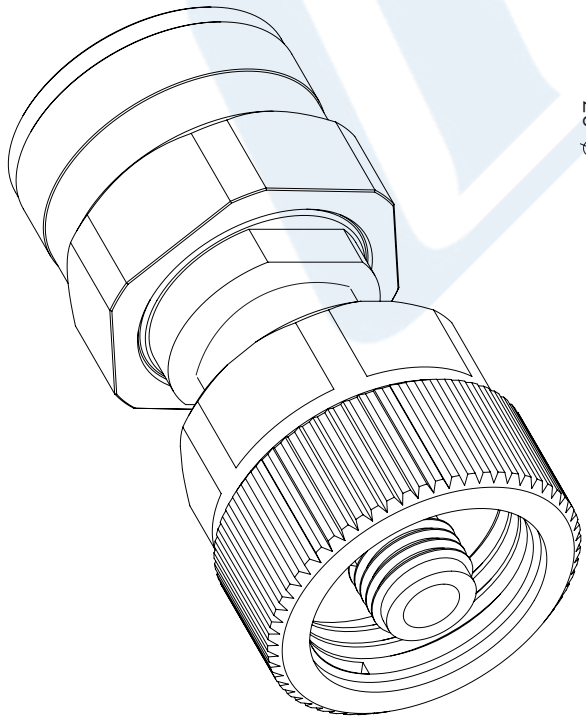
URL: <https://www.pasternack.com/3.5mm-nmd-female-to-n-male-adapter-pe9987-p.aspx>

The information contained in this document is accurate to the best of our knowledge and representative of the part described herein. It may be necessary to make modifications to the part and/or the documentation of the part, in order to implement improvements. Pasternack reserves the right to make such changes as required. Unless otherwise stated, all specifications are nominal. Pasternack does not make any representation or warranty regarding the suitability of the part described herein for any particular purpose, and Pasternack does not assume any liability arising out of the use of any part or documentation.

PE9987 CAD Drawing

3.5mm NMD Female to N Male Adapter

REVISIONS			
REV.	DESCRIPTION	DATE	APPROVED
A	INITIAL RELEASE	8/18/2021	BWOODS



$\phi .87$
[22.05]

3.5mm NMD JACK

UNLESS OTHERWISE SPECIFIED
LEADING DIMENSIONS ARE INCHES
DIMENSIONS IN [] ARE MILLIMETERS

TOLERANCES:

.X = ±.2	[5.08]	FRACTIONS
.XX = ±.02	[.51]	± 1/32
.XXX = ±.005	[.13]	ANGLES ± 1°

CABLE LENGTH (L) TOLERANCES:

L ≤ 12	[305]	= +1 [25] / -0
12 [305] < L ≤ 60	[1524]	= +2 [51] / -0
60 [1524] < L ≤ 120	[3048]	= +4 [102] / -0
120 [3048] < L ≤ 300	[7620]	= +6 [152] / -0
300 [7620] < L		= +5%L / -0

ALL DIMENSIONS SHOWN
ARE FOR REFERENCE ONLY.

THIRD-ANGLE PROJECTION

THE INFORMATION AND
DESIGN IN THIS DOCUMENT
IS THE PROPERTY OF
PASTERNAK CORPORATION
ALL RIGHTS RESERVED.

SHEET 1 OF 1

SCALE N/A

Pasternack Enterprises, Inc.
P. O. Box 16759, Irvine, CA 92623.
Phone: 1.949.261.1920 | 1.866.727.8376
Fax: 1.949.261.7451
Website: www.pasternack.com
E-mail: sales@pasternack.com

SIZE	CAGE CODE	DRAWN BY	ITEM NO.
A	53919	DMAY	PE9987
REV	REV		A