



## 2.4mm NMD Female to SMA Plug Adapter

### RF Adapters Technical Data Sheet

PE9984

#### Configuration

- 2.4mm NMD Female Connector 1
- SMA Plug Connector 2
- 50 Ohm
- Straight Body Geometry

#### Features

- Max VSWR of 1.2:1 up to 27 GHz
- 4  $\mu$ m minimum contact plating
- Gold Plated Beryllium Copper Contact
- 30  $\mu$ m min Gold Contact Plating

#### Applications

- Allows Connection Between Series
- General Purpose Test

#### Description

Pasternack's PE9984 2.4mm NMD female to SMA plug adapter is part of our full line of RF components available for same-day shipping. Our 2.4mm NMD to SMA adapter has a female to plug gender configuration built of durable stainless steel. PE9984 2.4mm NMD female to SMA plug adapter operates to 27 GHz. The Pasternack RF adapter provides excellent VSWR of 1.2:1 maximum.

RF adapters are often used to enable connections between two connector types that would otherwise not mate. Certain adapter configurations can also be used to protect connectors on expensive equipment where the number of connect/disconnect cycles is high. An RF, microwave or millimeter wave adapter is connected to the equipment, and the commonly changed connection is made with the adapter which can be easily replaced when it wears out after high usage; such adapters are referred to as connector savers. Pasternack also offers bulkhead, panel mount, hermetically sealed, reverse polarity, and isolated ground adapter varieties to serve all of your RF, microwave and millimeter wave needs.

#### Electrical Specifications

Description	Minimum	Typical	Maximum	Units
Frequency Range	DC		27	GHz
VSWR			1.2:1	
Operating Voltage (AC)			500	Vrms

#### Mechanical Specifications

##### Size

Length	1.48 in [37.59 mm]
Width	0.75 in [19.05 mm]
Height	0.75 in [19.05 mm]

Description	Connector 1	Connector 2
Type	2.4mm NMD Female	SMA Plug
Polarity	Standard	Standard

Click the following link (or enter part number in "SEARCH" on website) to obtain additional part information including price, inventory and certifications: [2.4mm NMD Female to SMA Plug Adapter PE9984](#)



## 2.4mm NMD Female to SMA Plug Adapter

### RF Adapters Technical Data Sheet

PE9984

#### Material Specifications

Description	Connector 1		Connector 2	
	Material	Plating	Material	Plating
Type	2.4mm NMD Female		SMA Plug	
Contact	Beryllium Copper	Gold 4 µin minimum	Beryllium Copper	Gold 4 µin minimum
Body	Stainless Steel	Passivated Stainless Steel 100 µin minimum	Stainless Steel	Passivated Stainless Steel 100 µin minimum

#### Environmental Specifications

##### Temperature

Operating Range -65 to +165 °C

**Compliance Certifications** (see [product page](#) for current document)

#### Plotted and Other Data

Notes:

2.4mm NMD Female to SMA Plug Adapter from Pasternack Enterprises has same day shipment for domestic and International orders. Our RF, microwave and millimeter wave products maintain a 99.4% availability and are part of the broadest selection in the industry.

Click the following link (or enter part number in "SEARCH" on website) to obtain additional part information including price, inventory and certifications: [2.4mm NMD Female to SMA Plug Adapter PE9984](#)

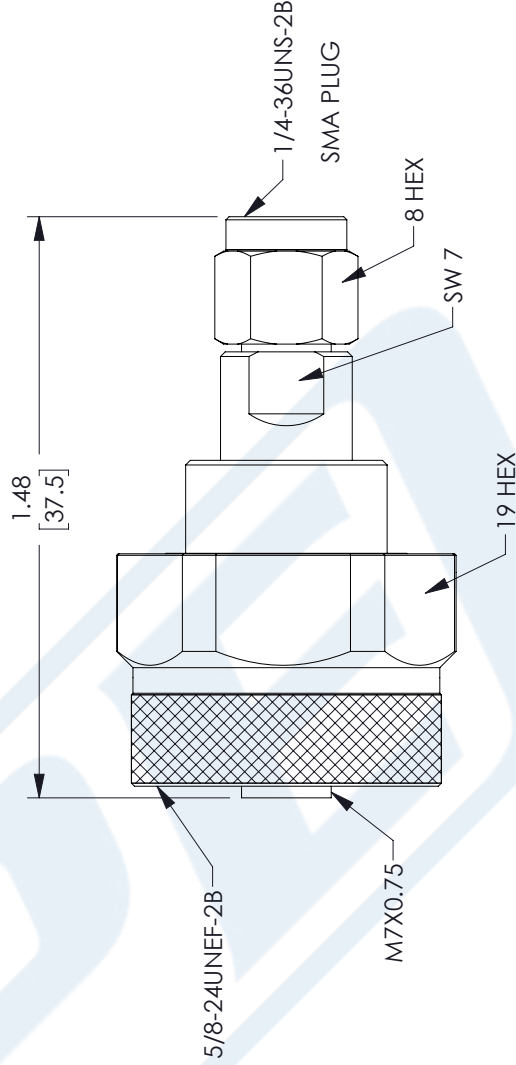
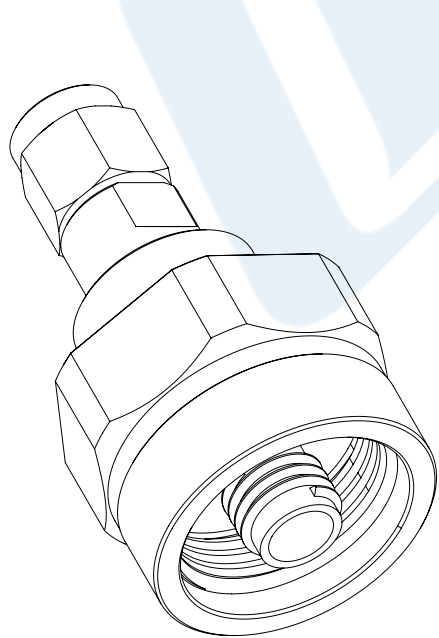
URL: <https://www.pasternack.com/2.4mm-nmd-female-to-sma-plug-adapter-pe9984-p.aspx>

The information contained in this document is accurate to the best of our knowledge and representative of the part described herein. It may be necessary to make modifications to the part and/or the documentation of the part, in order to implement improvements. Pasternack reserves the right to make such changes as required. Unless otherwise stated, all specifications are nominal. Pasternack does not make any representation or warranty regarding the suitability of the part described herein for any particular purpose, and Pasternack does not assume any liability arising out of the use of any part or documentation.

# PE9984 CAD Drawing

## 2.4mm NMD Female to SMA Plug Adapter

REVISIONS		
REV.	DESCRIPTION	DATE
A	INITIAL RELEASE	8/18/2021
		APPROVED
		BWOODS



2.4mm NMD JACK

UNLESS OTHERWISE SPECIFIED  
LEADING DIMENSIONS ARE INCHES  
DIMENSIONS IN [ ] ARE MILLIMETERS

**TOLERANCES:**

.X = ±.2	[5.08]	FRACTIONS
.XX = ±.02	[.51]	± 1/32
.XXX = ±.005	[.13]	ANGLES ± 1°

**CABLE LENGTH (L) TOLERANCES:**

L ≤ 12	[305]	= +1 [25] / -0
12 [305] < L ≤ 60	[1524]	= +2 [51] / -0
60 [1524] < L ≤ 120	[3048]	= +4 [102] / -0
120 [3048] < L ≤ 300	[7620]	= +6 [152] / -0
300 [7620] < L		= +5%L / -0

ALL DIMENSIONS SHOWN  
ARE FOR REFERENCE ONLY.

**PE PASTERNAK**  
an INFINITI® brand

Pasternack Enterprises, Inc.  
P. O. Box 16759, Irvine, CA 92623.  
Phone: 1.949.261.1920 | 1.866.727.8376  
Fax: 1.949.261.7451  
Website: www.pasternack.com  
E-mail: sales@pasternack.com

ITEM NO. PE9984  
DRAWN BY DMAY  
CAGE CODE A 53919

THIRD-ANGLE PROJECTION

THE INFORMATION AND DESIGN IN THIS DOCUMENT IS THE PROPERTY OF PASTERNAK CORPORATION. ALL RIGHTS RESERVED.

SHEET 1 OF 1  
SCALE N/A

REV A