



2.92mm NMD Female to N Female Adapter

RF Adapters Technical Data Sheet

PE9983

Configuration

- 2.92mm NMD Female Connector 1
- N Female Connector 2
- 50 Ohm
- Straight Body Geometry

Features

- Max VSWR of 1.15:1 up to 18 GHz
- 4 μ m minimum contact plating
- Gold Plated Beryllium Copper Contact
- 30 μ m min Gold Contact Plating

Applications

- Allows Connection Between Series
- General Purpose Test

Description

Pasternack's PE9983 2.92mm NMD female to type N female adapter is part of our full line of RF components available for same-day shipping. Our 2.92mm NMD to type N adapter has a female to female gender configuration built of durable stainless steel. PE9983 2.92mm NMD female to type N female adapter operates to 18 GHz. The Pasternack RF adapter provides excellent VSWR of 1.15:1 maximum.

RF adapters are often used to enable connections between two connector types that would otherwise not mate. Certain adapter configurations can also be used to protect connectors on expensive equipment where the number of connect/disconnect cycles is high. An RF, microwave or millimeter wave adapter is connected to the equipment, and the commonly changed connection is made with the adapter which can be easily replaced when it wears out after high usage; such adapters are referred to as connector savers. Pasternack also offers bulkhead, panel mount, hermetically sealed, reverse polarity, and isolated ground adapter varieties to serve all of your RF, microwave and millimeter wave needs.

Electrical Specifications

| Description | Minimum | Typical | Maximum | Units |
|------------------------|---------|---------|---------|-------|
| Frequency Range | DC | | 18 | GHz |
| VSWR | | | 1.15:1 | |
| Operating Voltage (AC) | | | 500 | Vrms |

Mechanical Specifications

Size

| | |
|--------|--------------------|
| Length | 1.72 in [43.69 mm] |
| Width | 0.87 in [22.1 mm] |
| Height | 0.87 in [22.1 mm] |

| Description | Connector 1 | Connector 2 |
|-------------|-------------------|-------------|
| Type | 2.92mm NMD Female | N Female |
| Polarity | Standard | Standard |

Click the following link (or enter part number in "SEARCH" on website) to obtain additional part information including price, inventory and certifications: [2.92mm NMD Female to N Female Adapter PE9983](#)



2.92mm NMD Female to N Female Adapter

RF Adapters Technical Data Sheet

PE9983

Material Specifications

| Description | Connector 1 | | Connector 2 | |
|-------------|-------------------|---|------------------|---|
| | Material | Plating | Material | Plating |
| Type | 2.92mm NMD Female | | N Female | |
| Contact | Beryllium Copper | Gold 4 µin minimum | Beryllium Copper | Gold 4 µin minimum |
| Body | Stainless Steel | Passivated Stainless Steel 100 µin minimum | Stainless Steel | Passivated Stainless Steel 100 µin minimum |

Environmental Specifications

Temperature

Operating Range -65 to +165 °C

Compliance Certifications (see [product page](#) for current document)

Plotted and Other Data

Notes:

2.92mm NMD Female to N Female Adapter from Pasternack Enterprises has same day shipment for domestic and International orders. Our RF, microwave and millimeter wave products maintain a 99.4% availability and are part of the broadest selection in the industry.

Click the following link (or enter part number in "SEARCH" on website) to obtain additional part information including price, inventory and certifications: [2.92mm NMD Female to N Female Adapter PE9983](#)

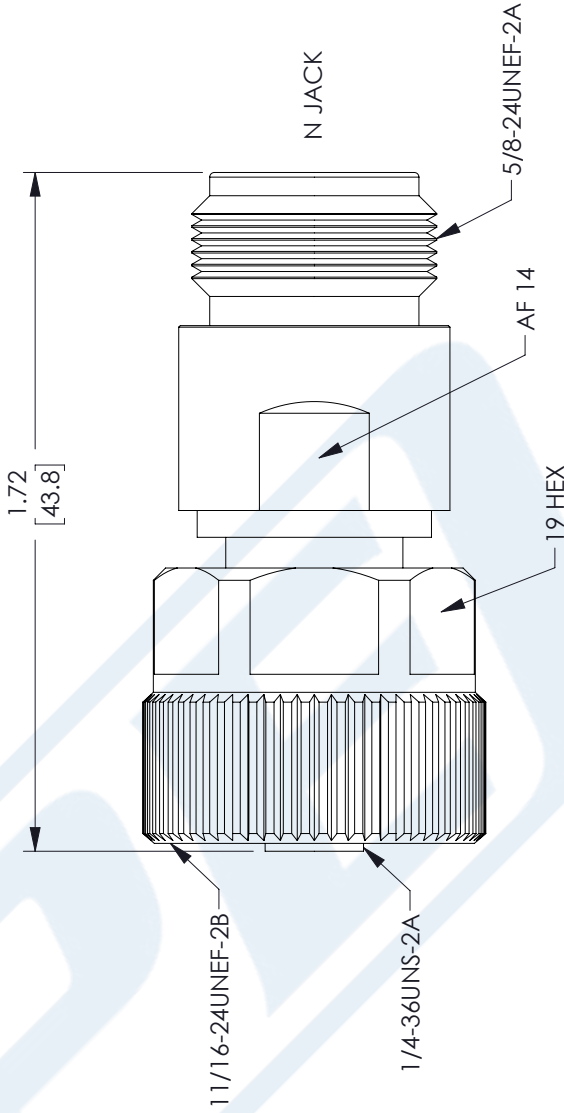
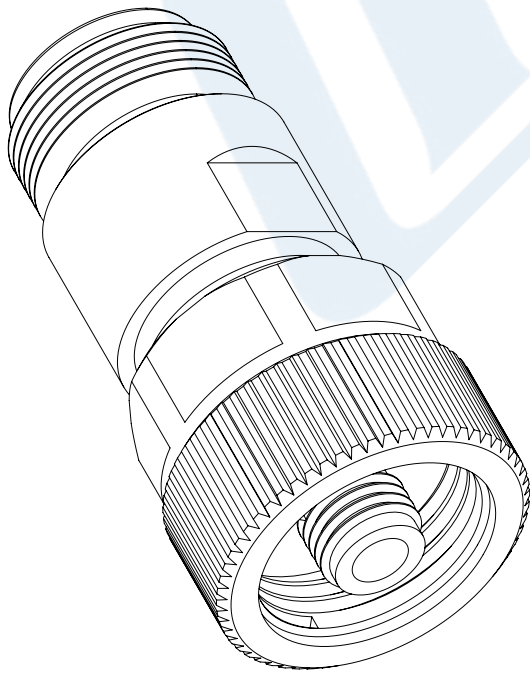
URL: <https://www.pasternack.com/2.92mm-nmd-female-to-n-female-adapter-pe9983-p.aspx>

The information contained in this document is accurate to the best of our knowledge and representative of the part described herein. It may be necessary to make modifications to the part and/or the documentation of the part, in order to implement improvements. Pasternack reserves the right to make such changes as required. Unless otherwise stated, all specifications are nominal. Pasternack does not make any representation or warranty regarding the suitability of the part described herein for any particular purpose, and Pasternack does not assume any liability arising out of the use of any part or documentation.

PE9983 CAD Drawing

2.92mm NMD Female to N Female Adapter

| REVISIONS | | | |
|-----------|-----------------|-----------|----------|
| REV. | DESCRIPTION | DATE | APPROVED |
| A | INITIAL RELEASE | 8/17/2021 | BWOODS |



$\phi .87$
[22]

2.92mm NMD JACK

UNLESS OTHERWISE SPECIFIED
LEADING DIMENSIONS ARE INCHES
DIMENSIONS IN [] ARE MILLIMETERS

TOLERANCES:
 .X = ±.2 [5.08] FRACTIONS ±.1/32
 .XX = ±.02 [.51] ±.1/32
 .XXX = ±.005 [.13] ANGLES ± 1°
 CABLE LENGTH (L) TOLERANCES:
 L ≤ 12 [305] = +1 [25] / -0
 12 [305] < L ≤ 60 [1524] = +2 [51] / -0
 60 [1524] < L ≤ 120 [3048] = +4 [102] / -0
 120 [3048] < L ≤ 300 [7620] = +6 [152] / -0
 300 [7620] < L = +5%L / -0

ALL DIMENSIONS SHOWN
ARE FOR REFERENCE ONLY.

THIRD-ANGLE PROJECTION

THE INFORMATION AND
DESIGN IN THIS DOCUMENT
IS THE PROPERTY OF
PASTERNAK CORPORATION
ALL RIGHTS RESERVED.

SHEET 1 OF 1

SCALE N/A

REV A



Pasternack Enterprises, Inc.
 P. O. Box 16759, Irvine, CA 92623.
 Phone: 1.949.261.1920 | 1.866.727.8376
 Fax: 1.949.261.7451
 Website: www.pasternack.com
 E-mail: sales@pasternack.com

ITEM NO. PE9983
 DRAWN BY DMAY
 CAGE CODE A 53919