



WR-137 Waveguide Standard Gain Horn Antenna
Operating From 5.85 GHz to 8.2 GHz With a
Nominal 10 dBi Gain With CMR-137 Flange

Waveguide Antennas Technical Data Sheet

PE9859B-10

Features

- WR-137 Rectangular Waveguide Interface
- 5.85 GHz to 8.2 GHz
- 10 dBi Nominal Gain
- CMR-137 Cover Flange

Applications

- Antenna Measurements
- Wireless Communication
- Laboratory Use
- Microwave Radio Systems

Description

The PE9859B-10 WR-137 Proline series standard gain horn antenna (also known as waveguide horn) from Pasternack has a nominal gain of 10 dBi. This WR-137 standard gain horn has a CMR-137 type flange. The Pasternack 10 dBi WR-137 horn antenna operates from 5.85 GHz to 8.2 GHz. The WR-137 PE9859B-10 waveguide horn is US made and TAA compliant. It is part of over 40,000 RF, microwave and millimeter wave components available from Pasternack.

Waveguide standard gain horn antennas are used in a wide variety of applications due to their high power handling capability, low loss, high directivity, and near constant electrical performance. Pasternack's WR-137 standard gain horns are available in 10, 15 and 20 dBi models with pyramidal shape and rectangular input. Our WR-137 standard gain horn Proline antennas can ship worldwide the same day as it is purchased as with our other available RF parts.

Configuration

Design	WR-137 Standard Gain Horn
Pattern	Directional
Polarization	Linear

Electrical Specifications

Description	Minimum	Typical	Maximum	Units
Frequency Range	5.85		8.2	GHz
Impedance		50		Ohms
Nominal Gain		10		dB
VSWR		1.5:1		

Mechanical Specifications

Size	
Length	3.03 in [76.96 mm]
Width	2.281 in [57.94 mm]
Height	1.6 in [40.64 mm]

Waveguide Interface

Waveguide Size	WR-137
Flange Type	CMR-137

Click the following link (or enter part number in "SEARCH" on website) to obtain additional part information including price, inventory and certifications: [WR-137 Waveguide Standard Gain Horn Antenna Operating From 5.85 GHz to 8.2 GHz With a Nominal 10 dBi Gain With CMR-137 Flange PE9859B-10](#)



WR-137 Waveguide Standard Gain Horn Antenna
Operating From 5.85 GHz to 8.2 GHz With a
Nominal 10 dBi Gain With CMR-137 Flange

Waveguide Antennas Technical Data Sheet

PE9859B-10

Body Material and Plating

Aluminum

Compliance Certifications (see [product page](#) for current document)

Plotted and Other Data

WR-137 Waveguide Standard Gain Horn Antenna Operating From 5.85 GHz to 8.2 GHz With a Nominal 10 dBi Gain With CMR-137 Flange from Pasternack Enterprises has same day shipment for domestic and International orders. Our RF, microwave and millimeter wave products maintain a 99.4% availability and are part of the broadest selection in the industry.

Click the following link (or enter part number in "SEARCH" on website) to obtain additional part information including price, inventory and certifications: [WR-137 Waveguide Standard Gain Horn Antenna Operating From 5.85 GHz to 8.2 GHz With a Nominal 10 dBi Gain With CMR-137 Flange PE9859B-10](#)

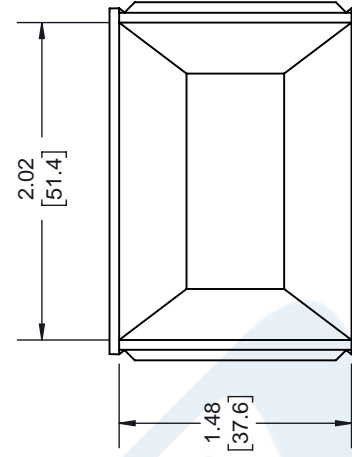
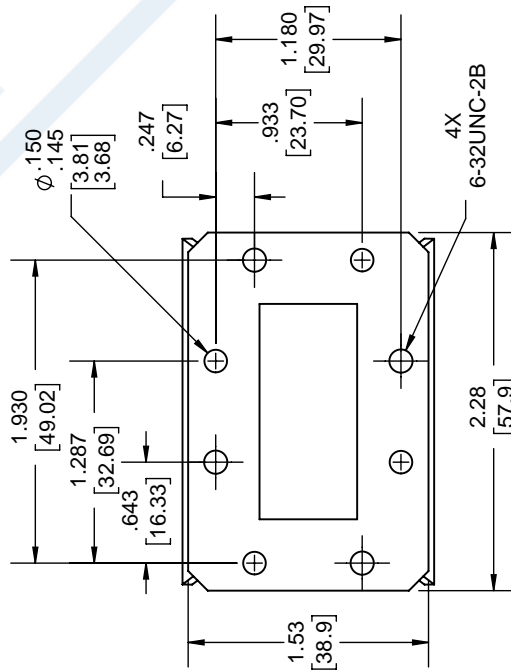
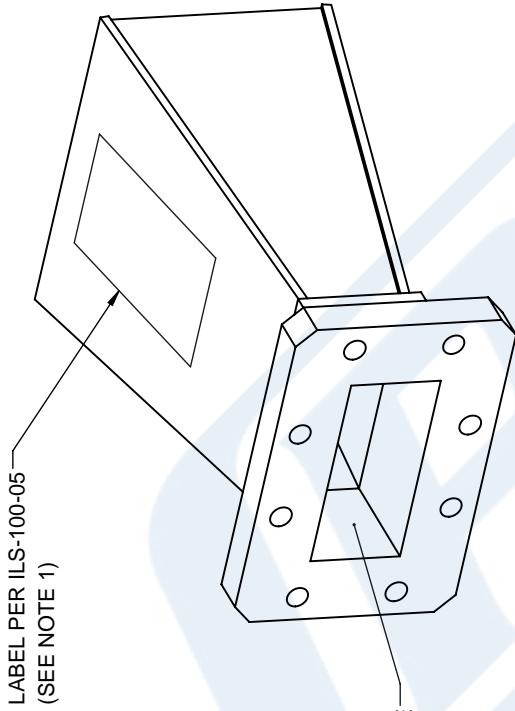
URL: <https://www.pasternack.com/wr-137-waveguide-gain-horn-antenna-10db-square-flange-pe9859b-10-p.aspx>

The information contained in this document is accurate to the best of our knowledge and representative of the part described herein. It may be necessary to make modifications to the part and/or the documentation of the part, in order to implement improvements. Pasternack reserves the right to make such changes as required. Unless otherwise stated, all specifications are nominal. Pasternack does not make any representation or warranty regarding the suitability of the part described herein for any particular purpose, and Pasternack does not assume any liability arising out of the use of any part or documentation.

PE9859B-10 CAD Drawing

WR-137 Waveguide Standard Gain Horn Antenna Operating From 5.85 GHz to 8.2 GHz With a Nominal 10 dBi Gain With CMR-137 Flange

REVISIONS			
REV.	DESCRIPTION	DATE	APPROVED
B	PCR PE9863B-10 20210526	06/02/2021	KHIETPAS



UNLESS OTHERWISE SPECIFIED LEADING DIMENSIONS ARE INCHES DIMENSIONS IN [] ARE MILLIMETERS

TOLERANCES:

.X = ±.2 [5.08] | FRACTIONS ± 1/32
 .XX = ±.02 [.51] | ANGLES ± 1°
 .XXX = ±.005 [.13]

CABLE LENGTH (L) TOLERANCES:
 L ≤ 12 [305] = +1 [25] / -0
 12 [305] < L ≤ 60 [1524] = +2 [51] / -0
 60 [1524] < L ≤ 120 [3048] = +4 [102] / -0
 120 [3048] < L ≤ 300 [7620] = +6 [152] / -0
 300 [7620] < L = +5% / -0

ALL DIMENSIONS SHOWN ARE FOR REFERENCE ONLY.

PE PASTERNAK
 an INFINITE brand

Pasternack Enterprises, Inc.
 P.O. Box 16759, Irvine, CA 92623.
 Phone: 1.949.261.1920 | 1.866.727.8376
 Fax: 1.949.261.7451
 Website: www.pasternack.com
 E-mail: sales@pasternack.com

THIRD-ANGLE PROJECTION

THE INFORMATION AND DESIGN IN THIS DOCUMENT IS THE PROPERTY OF PASTERNAK CORPORATION ALL RIGHTS RESERVED.

SHEET 1 OF 1

SCALE N/A

REV B

ITEM NO. PE9859B-10

DRAWN BY BPUCHASKI

CAGE CODE 53919

SIZE A

NOTES:
 1. LABEL PER ILS-100-05 (FOR INTERNAL REFERENCE ONLY)
 LABEL LOCATION FOR REFERENCE ONLY

THESE COMMODITIES, TECHNOLOGY OR SOFTWARE WERE EXPORTED FROM THE UNITED STATES IN ACCORDANCE WITH THE EXPORT ADMINISTRATION REGULATIONS. DIVERSION CONTRARY TO U.S. LAW PROHIBITED.