

## WR-102 Waveguide Standard Gain Horn Antenna Operating from 7 GHz to 11 GHz with a Nominal 20 dB Gain N Female Input

### Technical Data Sheet

PE9857B/NF-20

#### Features

- WR-102 Rectangular Waveguide Interface
- 7 GHz to 11 GHz
- 20 dBi Nominal Gain
- Type N Female Connector

#### Applications

- Antenna Measurements
- Laboratory Use
- Wireless Communication
- Microwave Radio Systems

#### Description

The Proline series PE9857B/NF-20 standard gain horn antenna (also known as waveguide horn) from Pasternack is part of our huge selection of waveguide antennas. This Pasternack standard gain horn antenna is manufactured with a WR-102 input and a waveguide to coaxial transition adapter. Our WR-102 standard gain horn antenna has a nominal gain of 20 dBi. This WR-102 standard gain horn has a Type N waveguide to coax transition adapter that is female gender.

The Pasternack 20 dBi WR-102 horn antenna operates from 7 GHz to 11 GHz. The WR-102 PE9857B/NF-20 waveguide horn is US made and TAA compliant. It is part of over 40,000 RF, microwave and millimeter wave components available from Pasternack.

Waveguide standard gain horn antennas, such as the PE9857B/NF-20, are used in a wide variety of applications due to their high power handling capability, low loss, high directivity, and near constant electrical performance. Pasternack's Type N female WR-102 standard gain horns are available in 10, 15 and 20 dBi models with pyramidal shape and rectangular input. Our WR-102 standard gain horn Proline antennas with Type N female interface can ship worldwide the same day as it is purchased as with our other available RF parts.

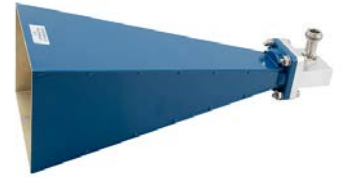
#### Configuration

Design	WR-102 Standard Gain Horn
Pattern	Directional
Polarization	Linear
Coaxial Interface	N Female

#### Electrical Specifications

Description	Minimum	Typical	Maximum	Units
Frequency Range	7		11	GHz
Impedance		50		Ohms
<b>Waveguide Standard Gain Horn</b>				
Gain		20		dB
<b>Waveguide to Coaxial Adapter</b>				
Input VSWR		1.3:1		

Click the following link (or enter part number in "SEARCH" on website) to obtain additional part information including price, inventory and certifications: [WR-102 Waveguide Standard Gain Horn Antenna Operating from 7 GHz to 11 GHz with a Nominal 20 dB Gain N Female Input PE9857B/NF-20](#)



WR-102 Waveguide Standard Gain Horn Antenna Operating from 7 GHz to 11 GHz with a Nominal 20 dB Gain N Female Input

## Technical Data Sheet

PE9857B/NF-20

### Mechanical Specifications

#### Size

Weight 0.8 lbs [362.87 g]

#### RF Connector

Type N Female

#### Waveguide Interface

Waveguide Size WR-102  
Flange Type Square Cover

### Environmental Specifications

**Compliance Certifications** (see [product page](#) for current document)

### Plotted and Other Data

2 Dimensional OML Drawing PE9857B/NF-20  
Notes:

WR-102 Waveguide Standard Gain Horn Antenna Operating from 7 GHz to 11 GHz with a Nominal 20 dB Gain N Female Input from Pasternack Enterprises has same day shipment for domestic and International orders. Our RF, microwave and millimeter wave products maintain a 99.4% availability and are part of the broadest selection in the industry.

Click the following link (or enter part number in "SEARCH" on website) to obtain additional part information including price, inventory and certifications: [WR-102 Waveguide Standard Gain Horn Antenna Operating from 7 GHz to 11 GHz with a Nominal 20 dB Gain N Female Input PE9857B/NF-20](#)

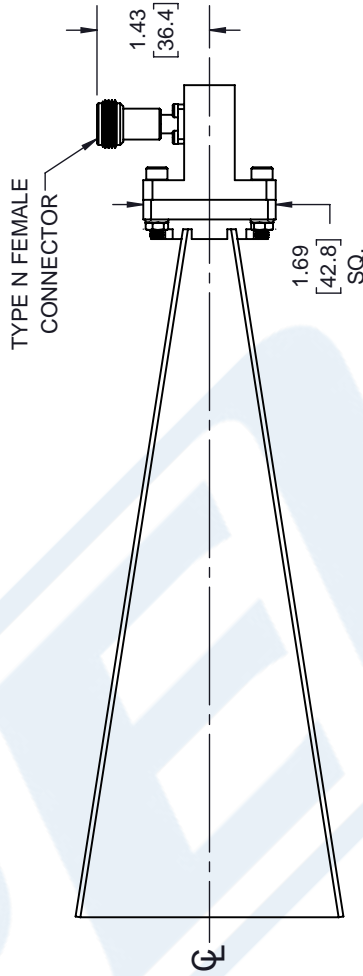
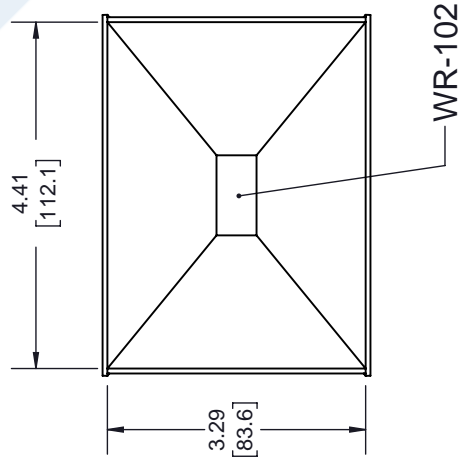
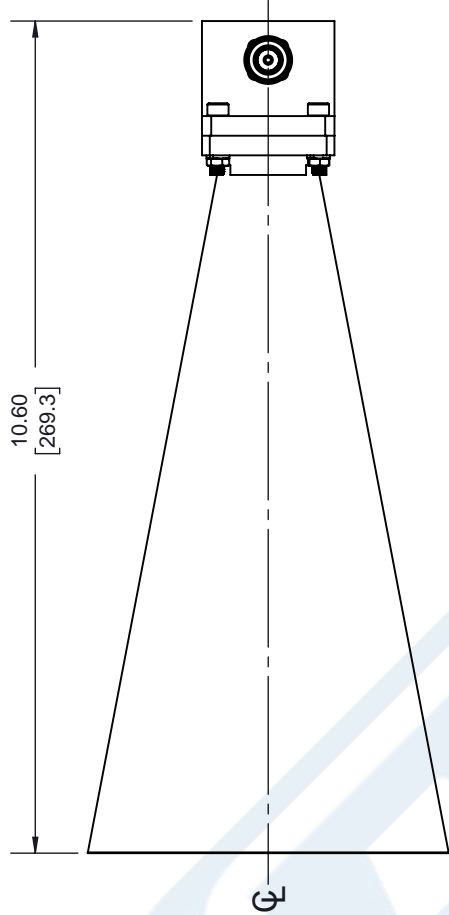
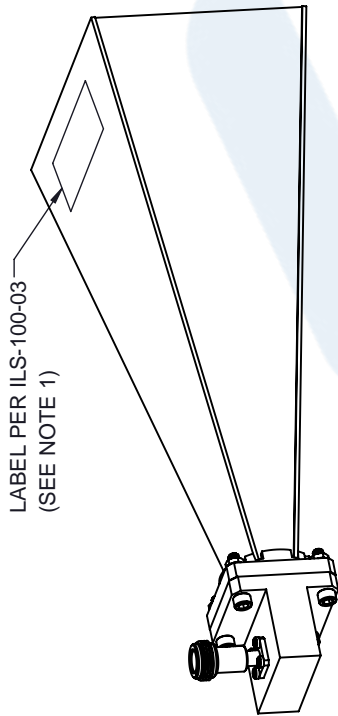
URL: <https://www.pasternack.com/wr-102-waveguide-standard-gain-horn-antenna-20-db-n-pe9857b-nf-20-p.aspx>

The information contained in this document is accurate to the best of our knowledge and representative of the part described herein. It may be necessary to make modifications to the part and/or the documentation of the part, in order to implement improvements. Pasternack reserves the right to make such changes as required. Unless otherwise stated, all specifications are nominal. Pasternack does not make any representation or warranty regarding the suitability of the part described herein for any particular purpose, and Pasternack does not assume any liability arising out of the use of any part or documentation.

# PE9857B/NF-20 CAD Drawing

WR-102 Waveguide Standard Gain Horn Antenna Operating from 7 GHz to 11 GHz with a Nominal 20 dB Gain N Female Input

REVISIONS			
REV.	DESCRIPTION	DATE	APPROVED
A	INITIAL RELEASE	11/16/2020	KHIETPAS



UNLESS OTHERWISE SPECIFIED LEADING DIMENSIONS ARE INCHES DIMENSIONS IN [ ] ARE MILLIMETERS

**TOLERANCES:**

.X = ±.2 [5.08]    FRACTIONS ± 1/32  
 .XX = ±.02 [ .51]    ANGLES ± 1°  
 .XXX = ±.005 [ .13]

**CABLE LENGTH (L) TOLERANCES:**

L ≤ 12 [305] = +1 [25] / -0  
 12 [305] < L ≤ 60 [1524] = +2 [51] / -0  
 60 [1524] < L ≤ 120 [3048] = +4 [102] / -0  
 120 [3048] < L ≤ 300 [7620] = +6 [152] / -0  
 300 [7620] < L = +5% / -0

ALL DIMENSIONS SHOWN ARE FOR REFERENCE ONLY.

**PE PASTERNAK**  
 an INFINITE brand

Pasternack Enterprises, Inc.  
 P.O. Box 16759, Irvine, CA 92623.  
 Phone: 1.949.261.1920 | 1.866.727.8376  
 Fax: 1.949.261.7451  
 Website: www.pasternack.com  
 E-mail: sales@pasternack.com

ITEM NO. PE9857B/NF-20  
 CAGE CODE BPUCHASKI  
 DRAWN BY 53919  
 SCALE N/A  
 SHEET 1 OF 1

THIRD-ANGLE PROJECTION

THE INFORMATION AND DESIGN IN THIS DOCUMENT IS THE PROPERTY OF PASTERNAK CORPORATION ALL RIGHTS RESERVED.

- NOTES:
- LABEL PER ILS-100-03 (FOR INTERNAL REFERENCE ONLY)  
 LABEL LOCATION FOR REFERENCE ONLY

THESE COMMODITIES, TECHNOLOGY OR SOFTWARE WERE EXPORTED FROM THE UNITED STATES IN ACCORDANCE WITH THE EXPORT ADMINISTRATION REGULATIONS. DIVERSION CONTRARY TO U.S. LAW PROHIBITED.