



WR-90 Standard Gain Horn Antenna Operating From 8.2 GHz to 12.4 GHz, 10 dBi Nominal Gain, Type N Female Input Connector, ProLine

Technical Data Sheet

PE9856B/NF-10

**Features**

- WR-90 Rectangular Waveguide Interface
- 8.2 GHz to 12.4 GHz
- 10 dBi Nominal Gain
- Type N Female Connector

**Applications**

- Antenna Measurements
- Laboratory Use
- Wireless Communication
- Microwave Radio Systems

**Description**

The Proline series PE9856B/NF-10 standard gain horn antenna (also known as waveguide horn) from Pasternack is part of our huge selection of waveguide antennas. This Pasternack standard gain horn antenna is manufactured with a WR-90 input and a waveguide to coaxial transition adapter. Our WR-90 standard gain horn antenna has a nominal gain of 10 dBi. This WR-90 standard gain horn has a Type N waveguide to coax transition adapter that is female gender.

The Pasternack 10 dBi WR-90 horn antenna operates from 8.2 GHz to 12.4 GHz. The WR-90 PE9856B/NF-10 waveguide horn is US made and TAA compliant. It is part of over 40,000 RF, microwave and millimeter wave components available from Pasternack.

Waveguide standard gain horn antennas, such as the PE9856B/NF-10, are used in a wide variety of applications due to their high power handling capability, low loss, high directivity, and near constant electrical performance. Pasternack's SMA female WR-90 standard gain horns are available in 10, 15 and 20 dBi models with pyramidal shape and rectangular input. Our WR-90 standard gain horn Proline antennas with SMA female interface can ship worldwide the same day as it is purchased as with our other available RF parts.

**Configuration**

Pattern	Directional
Polarization	Linear
Coaxial Interface	N Female

**Electrical Specifications**

Description	Minimum	Typical	Maximum	Units
Frequency Range	8.2		12.4	GHz
<b>Waveguide Standard Gain Horn</b>				
Gain		10		dB
<b>Waveguide to Coaxial Adapter</b>				
Input VSWR		1.3:1		

Click the following link (or enter part number in "SEARCH" on website) to obtain additional part information including price, inventory and certifications: [WR-90 Standard Gain Horn Antenna Operating From 8.2 GHz to 12.4 GHz, 10 dBi Nominal Gain, Type N Female Input Connector, ProLine PE9856B/NF-10](#)



WR-90 Standard Gain Horn Antenna Operating  
From 8.2 GHz to 12.4 GHz, 10 dBi Nominal Gain,  
Type N Female Input Connector, ProLine

## Technical Data Sheet

PE9856B/NF-10

### Mechanical Specifications

#### Size

Length	3.01 in [76.45 mm]
Width	1.58 in [40.13 mm]
Height	1.22 in [30.99 mm]
Weight	0.5 lbs [226.8 g]

#### RF Connector

Type	N Female
------	----------

### Environmental Specifications

**Compliance Certifications** (see [product page](#) for current document)

#### Plotted and Other Data

2 Dimensional OML Drawing	PE9856B/NF-10
Notes:	

WR-90 Standard Gain Horn Antenna Operating From 8.2 GHz to 12.4 GHz, 10 dBi Nominal Gain, Type N Female Input Connector, ProLine from Pasternack Enterprises has same day shipment for domestic and International orders. Our RF, microwave and millimeter wave products maintain a 99.4% availability and are part of the broadest selection in the industry.

Click the following link (or enter part number in "SEARCH" on website) to obtain additional part information including price, inventory and certifications: [WR-90 Standard Gain Horn Antenna Operating From 8.2 GHz to 12.4 GHz, 10 dBi Nominal Gain, Type N Female Input Connector, ProLine PE9856B/NF-10](#)

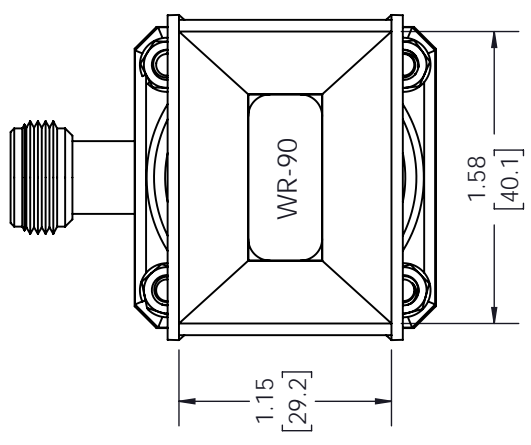
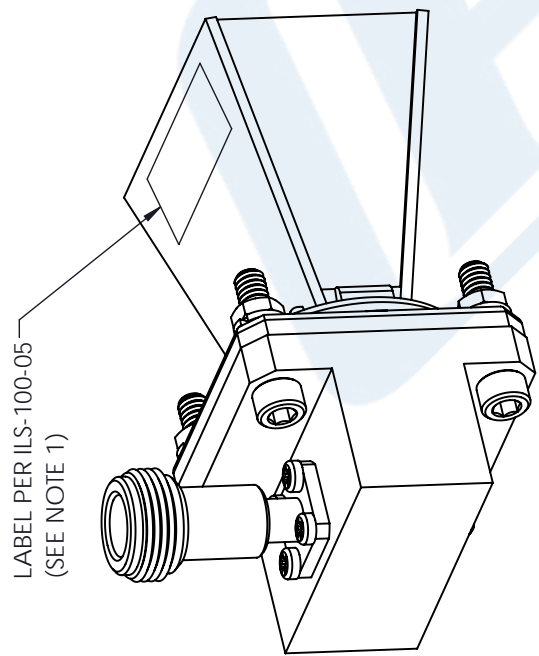
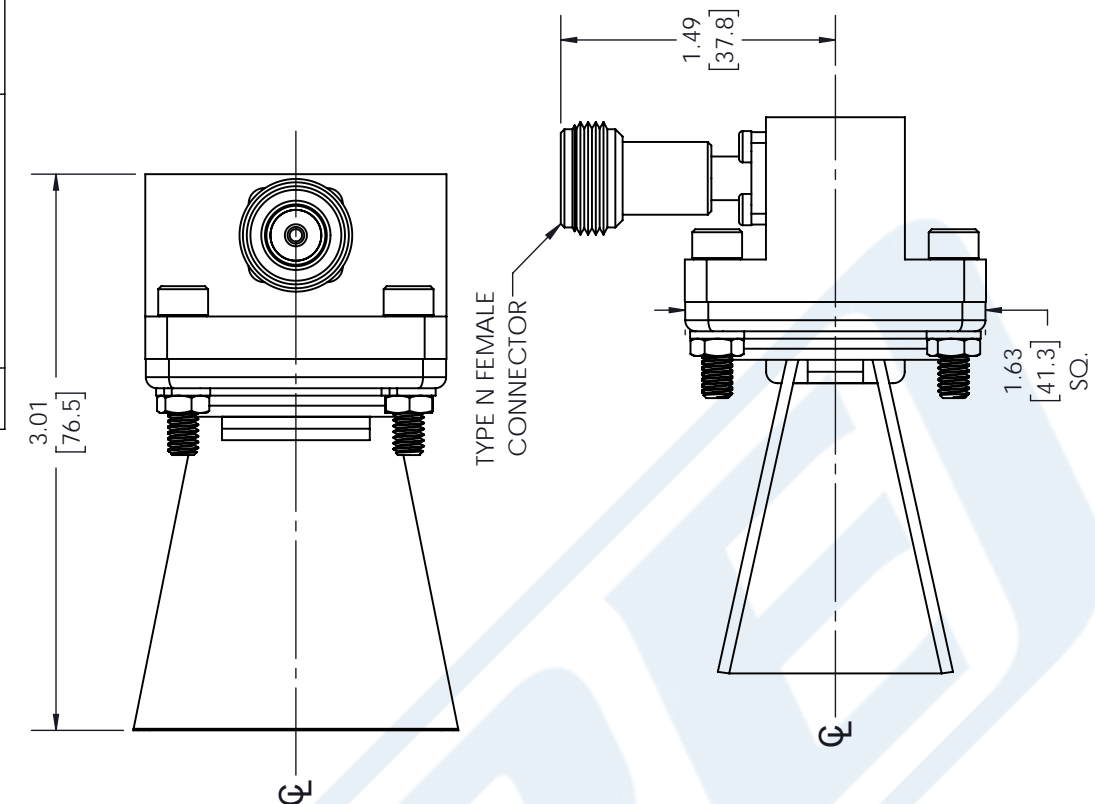
URL: <https://www.pasternack.com/waveguide-standard-gain-horn-antenna-10-db-n-pe9856b-nf-10-p.aspx>

The information contained in this document is accurate to the best of our knowledge and representative of the part described herein. It may be necessary to make modifications to the part and/or the documentation of the part, in order to implement improvements. Pasternack reserves the right to make such changes as required. Unless otherwise stated, all specifications are nominal. Pasternack does not make any representation or warranty regarding the suitability of the part described herein for any particular purpose, and Pasternack does not assume any liability arising out of the use of any part or documentation.

# PE9856B/NF-10 CAD Drawing

WR-90 Standard Gain Horn Antenna Operating From 8.2 GHz to 12.4 GHz,  
10 dBi Nominal Gain, Type N Female Input Connector, ProLine

REVISIONS			
REV.	DESCRIPTION	DATE	APPROVED
A	INITIAL RELEASE	02/23/2021	KHIETPAS



THIRD-ANGLE PROJECTION

THE INFORMATION AND DESIGN IN THIS DOCUMENT IS THE PROPERTY OF PASTERNAK CORPORATION ALL RIGHTS RESERVED.

SHEET 1 OF 1

SCALE N/A

REV A

---

**PE PASTERNAK**  
an INFINITE brand

Pasternack Enterprises, Inc.  
P.O. Box 16759, Irvine, CA 92623.  
Phone: 1.949.261.1920 | 1.866.727.8376  
Fax: 1.949.261.7451  
Website: www.pasternack.com  
E-mail: sales@pasternack.com

ITEM NO. PE9856B/NF-10

---

UNLESS OTHERWISE SPECIFIED LEADING DIMENSIONS ARE INCHES DIMENSIONS IN [ ] ARE MILLIMETERS

TOLERANCES:

.X = ±.2	[.08]	FRACTIONS	
.XX = ±.02	[.51]		± 1/32
.XXX = ±.005	[.13]	ANGLES ± 1°	

CABLE LENGTH (L) TOLERANCES:

L ≤ 12	[305]	= +1 [25] / -0
12 [305] < L ≤ 60	[1524]	= +2 [51] / -0
60 [1524] < L ≤ 120	[3048]	= +4 [102] / -0
120 [3048] < L ≤ 300	[7620]	= +6 [152] / -0
300 [7620] < L		= +5% / -0

ALL DIMENSIONS SHOWN ARE FOR REFERENCE ONLY.

NOTES:  
1. LABEL PER ILS-100-05 (FOR INTERNAL REFERENCE ONLY)  
LABEL LOCATION FOR REFERENCE ONLY

THESE COMMODITIES, TECHNOLOGY OR SOFTWARE WERE EXPORTED FROM THE UNITED STATES IN ACCORDANCE WITH THE EXPORT ADMINISTRATION REGULATIONS. DIVERSION CONTRARY TO U.S. LAW PROHIBITED.