



WR-75 Waveguide Standard Gain Horn Antenna, 10 GHz to 15 GHz Frequency Range, 10 dBi Gain, Flange

Waveguide Antennas Technical Data Sheet

PE9855B-10

Features

- WR-75 Rectangular Waveguide Interface
- 10 GHz to 15 GHz
- 10 dBi Nominal Gain
- square Cover Flange

Applications

- Antenna Measurements
- Wireless Communication
- Laboratory Use
- Microwave Radio Systems

Description

The PE9855B-10 WR-75 Proline series standard gain horn antenna (also known as waveguide horn) from Pasternack has a nominal gain of 10 dBi. This WR-75 standard gain horn has a square type flange. The Pasternack 10 dBi WR-75 horn antenna operates from 10 GHz to 15 GHz. The WR-75 PE9855B-10 waveguide horn is US made and TAA compliant. It is part of over 40,000 RF, microwave and millimeter wave components available from Pasternack. Waveguide standard gain horn antennas are used in a wide variety of applications due to their high power handling capability, low loss, high directivity, and near constant electrical performance. Pasternack's WR-75 standard gain horns are available in 10, 15 and 20 dBi models with pyramidal shape and rectangular input. Our WR-75 standard gain horn Proline antennas can ship worldwide the same day as it is purchased as with our other available RF parts.

Configuration

Design: WR-75 Standard Gain Horn
 Pattern: Directional
 Polarization: Linear

Electrical Specifications

Description	Minimum	Typical	Maximum	Units
Frequency Range	10		15	GHz
Nominal Gain		10		dB
VSWR		1.5:1		

Mechanical Specifications

Size
 Length: 1.94 in [49.28 mm]
 Width: 1.26 in [32 mm]
 Height: 0.92 in [23.37 mm]

Waveguide Interface

Waveguide Size: WR-75
 Flange Type: Square Cover
 Body Material and Plating: Aluminum

Click the following link (or enter part number in "SEARCH" on website) to obtain additional part information including price, inventory and certifications: [WR-75 Waveguide Standard Gain Horn Antenna, 10 GHz to 15 GHz Frequency Range, 10 dBi Gain, Flange PE9855B-10](#)



WR-75 Waveguide Standard Gain Horn Antenna, 10 GHz to 15 GHz Frequency Range, 10 dBi Gain, Flange

Waveguide Antennas Technical Data Sheet

PE9855B-10

Compliance Certifications (see [product page](#) for current document)

Plotted and Other Data

WR-75 Waveguide Standard Gain Horn Antenna, 10 GHz to 15 GHz Frequency Range, 10 dBi Gain, Flange from Pasternack Enterprises has same day shipment for domestic and International orders. Our RF, microwave and millimeter wave products maintain a 99.4% availability and are part of the broadest selection in the industry.

Click the following link (or enter part number in "SEARCH" on website) to obtain additional part information including price, inventory and certifications: [WR-75 Waveguide Standard Gain Horn Antenna, 10 GHz to 15 GHz Frequency Range, 10 dBi Gain, Flange PE9855B-10](#)

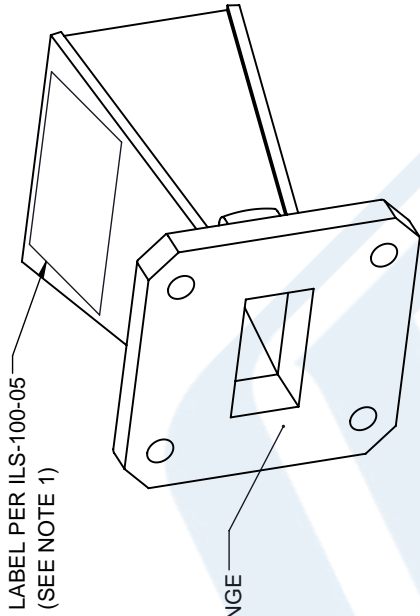
URL: <https://www.pasternack.com/wr-75-waveguide-gain-horn-antenna-10db-square-flange-pe9855b-10-p.aspx>

The information contained in this document is accurate to the best of our knowledge and representative of the part described herein. It may be necessary to make modifications to the part and/or the documentation of the part, in order to implement improvements. Pasternack reserves the right to make such changes as required. Unless otherwise stated, all specifications are nominal. Pasternack does not make any representation or warranty regarding the suitability of the part described herein for any particular purpose, and Pasternack does not assume any liability arising out of the use of any part or documentation.

PE9855B-10 CAD Drawing

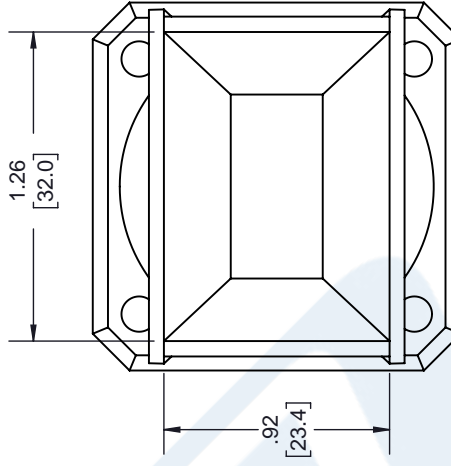
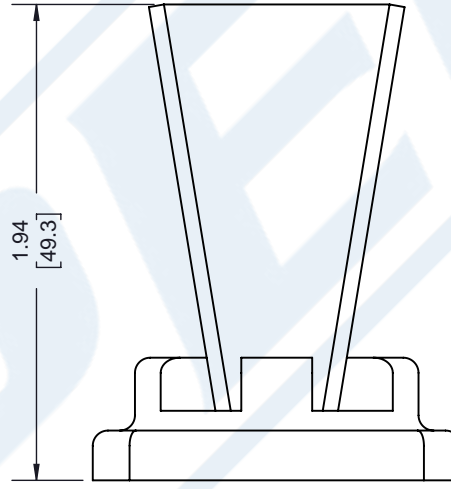
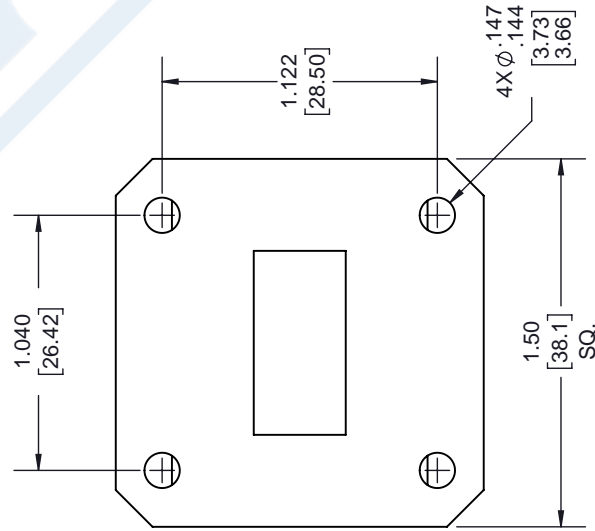
WR-75 Waveguide Standard Gain Horn Antenna, 10 GHz to 15 GHz Frequency Range, 10 dBi Gain, Flange

REVISIONS		
REV.	DESCRIPTION	DATE
A	INITIAL RELEASE	11/03/2020
		APPROVED
		KHIETPAS



LABEL PER ILS-100-05
(SEE NOTE 1)

WR-75
STANDARD SQUARE FLANGE



UNLESS OTHERWISE SPECIFIED
LEADING DIMENSIONS ARE INCHES
DIMENSIONS IN [] ARE MILLIMETERS

TOLERANCES:

- .X = ±.2 [5.08]
- .XX = ±.02 [.51]
- .XXX = ±.005 [.13]
- L ≤ 12 [305] < L ≤ 60 [1524] < L ≤ 120 [3048] < L ≤ 300 [7620] < L ≤ 600 [15240]
- FRACTIONS ± 1/32
- ANGLES ± 1°
- CABLE LENGTH (L) TOLERANCES:
 - L ≤ 12 [305] = +1 [25] / -0
 - 12 [305] < L ≤ 60 [1524] = +2 [51] / -0
 - 60 [1524] < L ≤ 120 [3048] = +4 [102] / -0
 - 120 [3048] < L ≤ 300 [7620] = +6 [152] / -0
 - 300 [7620] < L = +5% / -0

ALL DIMENSIONS SHOWN
ARE FOR REFERENCE ONLY.

THIRD-ANGLE PROJECTION
THE INFORMATION AND
DESIGN IN THIS DOCUMENT
IS THE PROPERTY OF
PASTERNAK CORPORATION
ALL RIGHTS RESERVED.

SHEET 1 OF 1
SCALE N/A
REV A



Pasternack Enterprises, Inc.
P.O. Box 16759, Irvine, CA 92623.
Phone: 1.949.261.1920 | 1.866.727.8376
Fax: 1.949.261.7451
Website: www.pasternack.com
E-mail: sales@pasternack.com

ITEM NO. PE9855B-10

SIZE A CAGE CODE 53919 DRAWN BY BPUCHASKI

NOTES:
1. LABEL PER ILS-100-05 (FOR INTERNAL REFERENCE ONLY)
LABEL LOCATION FOR REFERENCE ONLY

THESE COMMODITIES, TECHNOLOGY OR SOFTWARE WERE EXPORTED FROM THE UNITED STATES IN ACCORDANCE WITH THE EXPORT ADMINISTRATION REGULATIONS. DIVERSION CONTRARY TO U.S. LAW PROHIBITED.