



Mini UHF Male to Mini UHF Female Right Angle Adapter

RF Adapters Technical Data Sheet

PE9347

Configuration

- Mini UHF Male Connector 1
- Mini UHF Female Connector 2
- 50 Ohms
- Right Angle Body Geometry

Features

- Gold Plated Brass Contact

Applications

- General Purpose Test

Description

Pasternack's PE9347 Mini UHF male to Mini UHF female right angle adapter is part of our full line of RF components available for same-day shipping. Our Mini UHF to Mini UHF adapter has a male to female gender configuration. This low profile right angle Mini UHF adapter allows for easier connections in tight spaces.

RF adapters are often used to enable connections between two connector types that would otherwise not mate. Certain adapter configurations can also be used to protect connectors on expensive equipment where the number of connect/disconnect cycles is high. An RF, microwave or millimeter wave adapter is connected to the equipment, and the commonly changed connection is made with the adapter which can be easily replaced when it wears out after high usage; such adapters are referred to as connector savers. Pasternack also offers bulkhead, panel mount, hermetically sealed, reverse polarity, and isolated ground adapter varieties to serve all of your RF, microwave and millimeter wave needs.

Mechanical Specifications

Size

Length	0.84 in [21.34 mm]
Width	0.452 in [11.48 mm]
Height	0.766 in [19.46 mm]
Weight	0.027 lbs [12.25 g]

Description	Connector 1	Connector 2
Type	Mini UHF Male	Mini UHF Female
Polarity	Standard	Standard

Material Specifications

Description	Connector 1		Connector 2	
	Material	Plating	Material	Plating
Type	Mini UHF Male		Mini UHF Female	
Contact	Brass	Gold	Brass	Gold
Insulation	POM		POM	
Outer Conductor			Brass	Nickel

Click the following link (or enter part number in "SEARCH" on website) to obtain additional part information including price, inventory and certifications: [Mini UHF Male to Mini UHF Female Right Angle Adapter PE9347](#)



Mini UHF Male to Mini UHF Female Right Angle Adapter

RF Adapters Technical Data Sheet

PE9347

Body	Brass	Nickel
Coupling Nut	Brass	Nickel

Compliance Certifications (see [product page](#) for current document)

Mini UHF Male to Mini UHF Female Right Angle Adapter from Pasternack Enterprises has same day shipment for domestic and International orders. Our RF, microwave and millimeter wave products maintain a 99% availability and are part of the broadest selection in the industry.

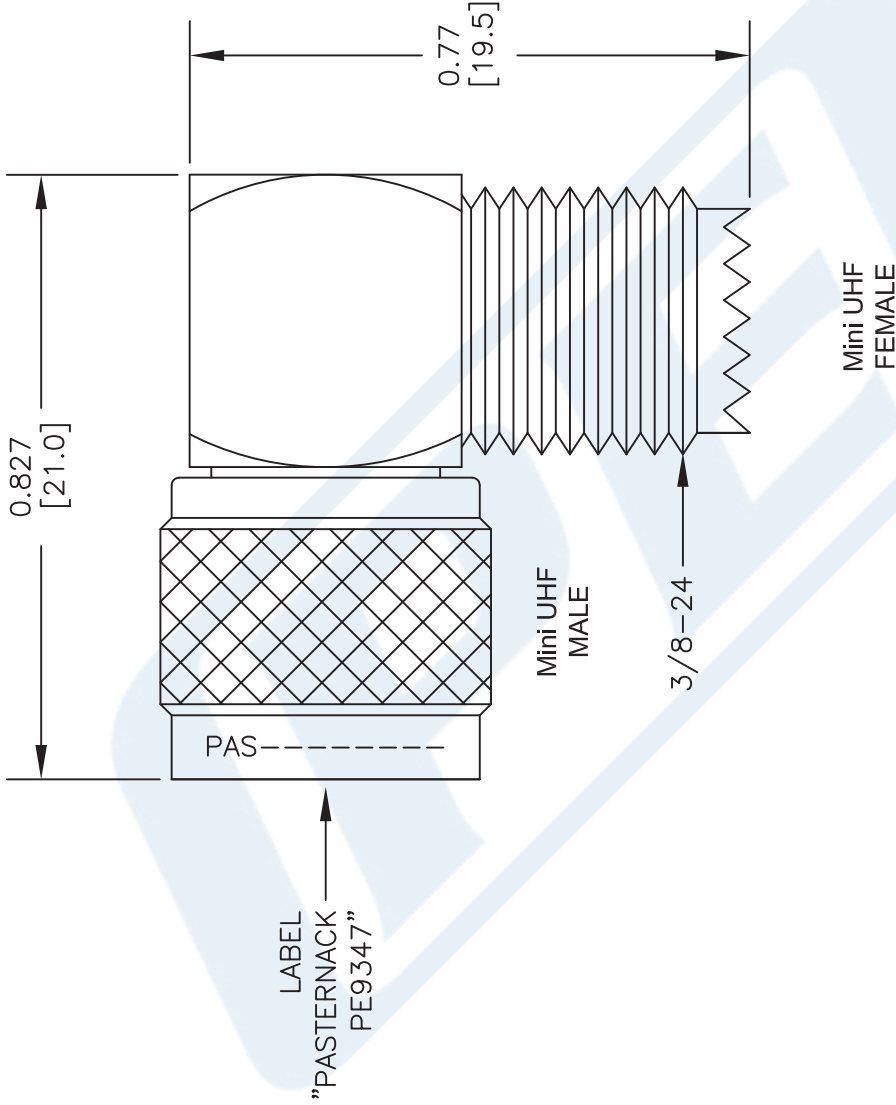
Click the following link (or enter part number in "SEARCH" on website) to obtain additional part information including price, inventory and certifications: [Mini UHF Male to Mini UHF Female Right Angle Adapter PE9347](#)

URL: <https://www.pasternack.com/mini-uhf-male-mini-uhf-female-right-angle-adapter-pe9347-p.aspx>

The information contained in this document is accurate to the best of our knowledge and representative of the part described herein. It may be necessary to make modifications to the part and/or the documentation of the part, in order to implement improvements. Pasternack reserves the right to make such changes as required. Unless otherwise stated, all specifications are nominal. Pasternack does not make any representation or warranty regarding the suitability of the part described herein for any particular purpose, and Pasternack does not assume any liability arising out of the use of any part or documentation.

PE9347 CAD Drawing

Mini UHF Male to Mini UHF Female Right Angle Adapter



STANDARD TOLERANCES

.X ±0.2
 .XX ±0.1
 .XXX ±0.05

*STANDARD TOLERANCES APPLY ONLY TO DIMENSIONS IN INCHES



Pasternack Enterprises, Inc.
 P.O. Box 16759 | Irvine | CA | 92623
Phone: (949) 261-1920 | **Fax:** (949) 261-7451
Website: www.pasternack.com | **E-Mail:** sales@pasternack.com

DWG TITLE

PE9347

FSCM NO. 53919

CAD FILE 061316

SCALE N/A

SIZE A

2233

NOTES:
 1. UNLESS OTHERWISE SPECIFIED ALL DIMENSIONS ARE NOMINAL.
 2. ALL SPECIFICATIONS ARE SUBJECT TO CHANGE WITHOUT NOTICE AT ANY TIME.
 3. DIMENSIONS ARE IN INCHES [mm].