



N Female to N Female 4 Hole Flange Adapter

RF Adapters Technical Data Sheet

PE9173

Configuration

- N Female Connector 1
- N Female Connector 2
- 50 Ohms
- Straight Body Geometry
- 4 Hole Flange Mount Method

Features

- Max VSWR of 1.5:1 up to 11 GHz
- N Interface compliant with MIL-STD-348A
- Gold Plated Brass Contact
- 30 μ-in min Gold Contact Plating

Applications

- General Purpose Test
- Rack Mounted Equipment

Description

Pasternack's PE9173 type N female to type N female 4 hole flange adapter is part of our full line of RF components available for same-day shipping. Our type N to type N adapter has a female to female gender configuration. PE9173 type N female to type N female adapter operates to 11 GHz. The Pasternack RF adapter provides good VSWR of 1.5:1 maximum. This RF type N to type N 4 hole flange adapter allows designers to create external connections on their product enclosures, and can be used in a variety of other rack mount and panel mount applications.

RF adapters are often used to enable connections between two connector types that would otherwise not mate. Certain adapter configurations can also be used to protect connectors on expensive equipment where the number of connect/disconnect cycles is high. An RF, microwave or millimeter wave adapter is connected to the equipment, and the commonly changed connection is made with the adapter which can be easily replaced when it wears out after high usage; such adapters are referred to as connector savers. Pasternack also offers bulkhead, panel mount, hermetically sealed, reverse polarity, and isolated ground adapter varieties to serve all of your RF, microwave and millimeter wave needs.

Electrical Specifications

| Description | Minimum | Typical | Maximum | Units |
|------------------------|---------|---------|---------|-------|
| Frequency Range | DC | | 11 | GHz |
| VSWR | | | 1.5:1 | |
| Operating Voltage (AC) | | | 1,000 | Vrms |

Mechanical Specifications

Size

| | |
|--------|---------------------|
| Length | 1.752 in [44.5 mm] |
| Width | 1 in [25.4 mm] |
| Height | 1 in [25.4 mm] |
| Weight | 0.134 lbs [60.78 g] |

Click the following link (or enter part number in "SEARCH" on website) to obtain additional part information including price, inventory and certifications: [N Female to N Female 4 Hole Flange Adapter PE9173](#)



N Female to N Female 4 Hole Flange Adapter

RF Adapters Technical Data Sheet

PE9173

| Description | Connector 1 | Connector 2 |
|-------------------------|--------------|--------------|
| Type | N Female | N Female |
| Polarity | Standard | Standard |
| Interface Specification | MIL-STD-348A | MIL-STD-348A |

Material Specifications

| Description | Connector 1 | | Connector 2 | |
|-----------------|-------------|----------------------------|-------------|----------------------------|
| | Material | Plating | Material | Plating |
| Type | N Female | | N Female | |
| Contact | Brass | Gold 30 μ-in minimum | Brass | Gold 30 μ-in minimum |
| Insulation | PTFE | | PTFE | |
| Outer Conductor | Brass | Nickel 100 μ-in minimum | Brass | Nickel 100 μ-in minimum |

Environmental Specifications

Temperature

Operating Range -65 to +165 deg C

Compliance Certifications (see [product page](#) for current document)

Plotted and Other Data

Notes:

Click the following link (or enter part number in "SEARCH" on website) to obtain additional part information including price, inventory and certifications: [N Female to N Female 4 Hole Flange Adapter PE9173](#)



N Female to N Female 4 Hole Flange Adapter

RF Adapters Technical Data Sheet

PE9173

N Female to N Female 4 Hole Flange Adapter from Pasternack Enterprises has same day shipment for domestic and International orders. Our RF, microwave and millimeter wave products maintain a 99% availability and are part of the broadest selection in the industry.

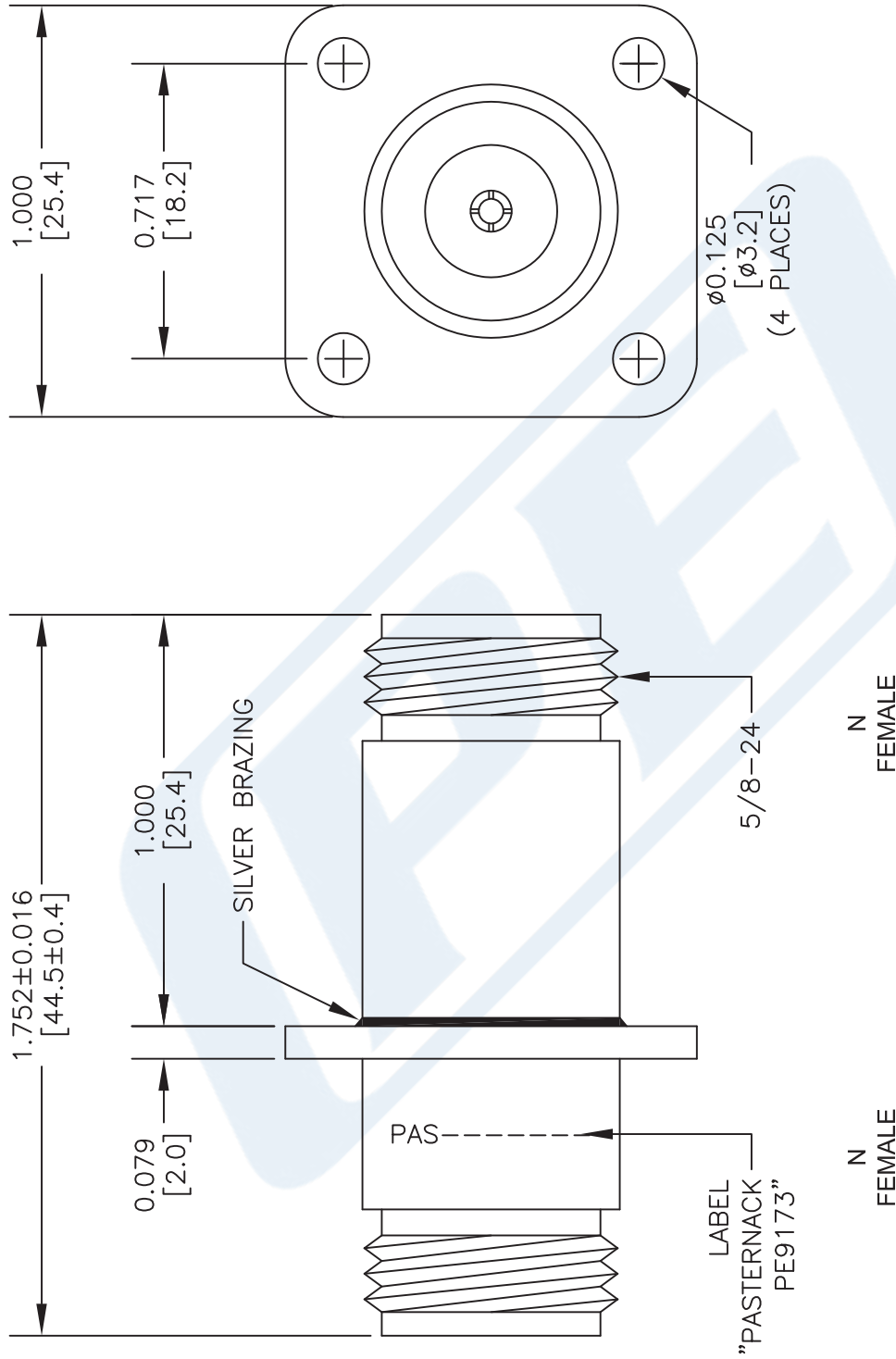
Click the following link (or enter part number in "SEARCH" on website) to obtain additional part information including price, inventory and certifications: [N Female to N Female 4 Hole Flange Adapter PE9173](https://www.pasternack.com/n-female-n-female-straight-adapter-pe9173-p.aspx)

URL: <https://www.pasternack.com/n-female-n-female-straight-adapter-pe9173-p.aspx>

The information contained in this document is accurate to the best of our knowledge and representative of the part described herein. It may be necessary to make modifications to the part and/or the documentation of the part, in order to implement improvements. Pasternack reserves the right to make such changes as required. Unless otherwise stated, all specifications are nominal. Pasternack does not make any representation or warranty regarding the suitability of the part described herein for any particular purpose, and Pasternack does not assume any liability arising out of the use of any part or documentation.

PE9173 CAD Drawing

N Female to N Female 4 Hole Flange Adapter



STANDARD TOLERANCES
 .X ±0.2
 .XX ±0.1
 .XXX ±0.05

*STANDARD TOLERANCES APPLY ONLY TO DIMENSIONS IN INCHES

NOTES:
 1. UNLESS OTHERWISE SPECIFIED ALL DIMENSIONS ARE NOMINAL.
 2. ALL SPECIFICATIONS ARE SUBJECT TO CHANGE WITHOUT NOTICE AT ANY TIME.
 3. DIMENSIONS ARE IN INCHES [mm].

DWG TITLE
PE9173

(PE) PASTERNAK®
 THE ENGINEER'S RF SOURCE
 Pasternack Enterprises, Inc.
 P.O. Box 16759 | Irvine | CA | 92623
Phone: (949) 261-1920 | **Fax:** (949) 261-7451
Website: www.pasternack.com | **E-Mail:** sales@pasternack.com

FSCM NO. 53919

CAD FILE 021616 **SCALE** N/A **SIZE** A **XXXX**