



Precision N Female to N Female Adapter

RF Adapters Technical Data Sheet

PE91530

Configuration

- N Female Connector 1
- N Female Connector 2
- 50 Ohm
- Precision Design
- Straight Body Geometry

Features

- Max VSWR of 1.15:1 up to 18 GHz
- Contact plating according to MIL-G-45204
- Gold over Nickel Plated Beryllium Copper Contact

Applications

- General Purpose Test
- Precision Test & Measurement

Description

Pasternack's PE91530 type N female to type N female adapter is part of our full line of RF components available for same-day shipping. Our type N to type N adapter has a female to female gender configuration built of durable stainless steel in a precision design. PE91530 type N female to type N female adapter operates to 18 GHz. The Pasternack RF adapter provides excellent VSWR of 1.15:1 maximum.

RF adapters are often used to enable connections between two connector types that would otherwise not mate. Certain adapter configurations can also be used to protect connectors on expensive equipment where the number of connect/disconnect cycles is high. An RF, microwave or millimeter wave adapter is connected to the equipment, and the commonly changed connection is made with the adapter which can be easily replaced when it wears out after high usage; such adapters are referred to as connector savers. Pasternack also offers bulkhead, panel mount, hermetically sealed, reverse polarity, and isolated ground adapter varieties to serve all of your RF, microwave and millimeter wave needs.

Electrical Specifications

| Description | Minimum | Typical | Maximum | Units |
|--------------------------------------|---------|---------|---------|-------|
| Frequency Range | DC | | 18 | GHz |
| VSWR | | | 1.15:1 | |
| Operating Voltage (AC) | | | 1,000 | Vrms |
| Dielectric Withstanding Voltage (AC) | | | 2,500 | Vrms |
| Insulation Resistance | 5,000 | | | MOhms |

Mechanical Specifications

Size

| | |
|--------|---------------------|
| Length | 1.75 in [44.45 mm] |
| Width | 0.625 in [15.88 mm] |
| Weight | 0.035 lbs [15.88 g] |

Click the following link (or enter part number in "SEARCH" on website) to obtain additional part information including price, inventory and certifications: [Precision N Female to N Female Adapter PE91530](#)



Precision N Female to N Female Adapter

RF Adapters Technical Data Sheet

PE91530

| Description | Connector 1 | Connector 2 |
|---------------|-------------|-------------|
| Type | N Female | N Female |
| Polarity | Standard | Standard |
| Mating Cycles | 500 | 500 |

Material Specifications

| Description | Connector 1 | | Connector 2 | |
|-----------------|----------------------------|---------------------------------|----------------------------|---------------------------------|
| | Material | Plating | Material | Plating |
| Type | N Female | | N Female | |
| Contact | Beryllium Copper | Gold over Nickel MIL-G-45204 | Beryllium Copper | Gold over Nickel MIL-G-45204 |
| Insulation | Noryl | | Noryl | |
| Outer Conductor | Passivated Stainless Steel | QQ-S-764 | Passivated Stainless Steel | QQ-S-764 |
| Body | Passivated Stainless Steel | QQ-S-764 | Passivated Stainless Steel | QQ-S-764 |

Environmental Specifications

Temperature

Operating Range

-65 to +125 deg C

Compliance Certifications (see [product page](#) for current document)

Plotted and Other Data

Notes:

Click the following link (or enter part number in "SEARCH" on website) to obtain additional part information including price, inventory and certifications: [Precision N Female to N Female Adapter PE91530](#)



Precision N Female to N Female Adapter

RF Adapters Technical Data Sheet

PE91530

Precision N Female to N Female Adapter from Pasternack Enterprises has same day shipment for domestic and International orders. Our RF, microwave and millimeter wave products maintain a 99.4% availability and are part of the broadest selection in the industry.

Click the following link (or enter part number in "SEARCH" on website) to obtain additional part information including price, inventory and certifications: [Precision N Female to N Female Adapter PE91530](#)

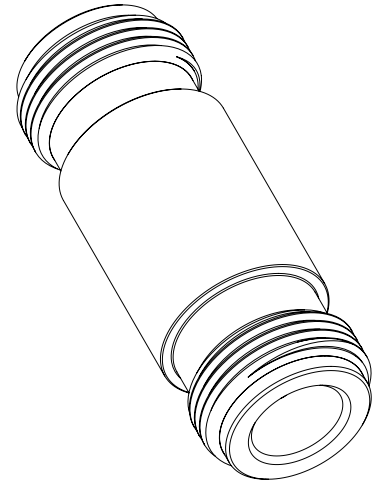
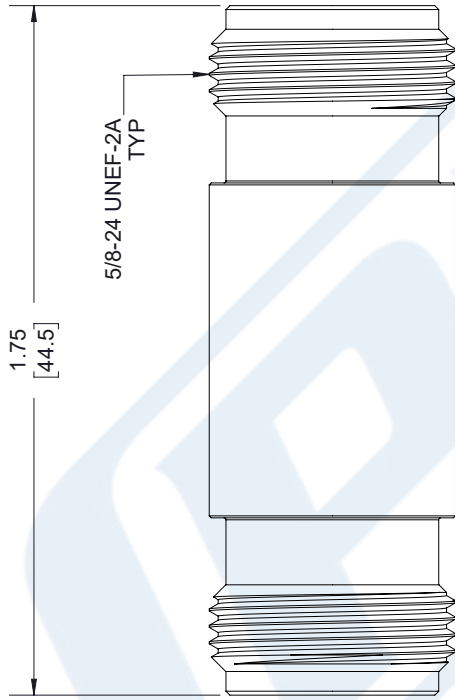
URL: <https://www.pasternack.com/n-female-n-female-straight-adapter-pe91530-p.aspx>

The information contained in this document is accurate to the best of our knowledge and representative of the part described herein. It may be necessary to make modifications to the part and/or the documentation of the part, in order to implement improvements. Pasternack reserves the right to make such changes as required. Unless otherwise stated, all specifications are nominal. Pasternack does not make any representation or warranty regarding the suitability of the part described herein for any particular purpose, and Pasternack does not assume any liability arising out of the use of any part or documentation.

PE91530 CAD Drawing

Precision N Female to N Female Adapter

| REVISIONS | | | |
|-----------|-----------------|----------|----------|
| REV. | DESCRIPTION | DATE | APPROVED |
| A | INITIAL RELEASE | 11/14/19 | SELLIS |



UNLESS OTHERWISE SPECIFIED
LEADING DIMENSIONS ARE INCHES
DIMENSIONS IN [] ARE MILLIMETERS

TOLERANCES:

| | | |
|--------------|--------|-------------|
| .X = ±.2 | [5.08] | FRACTIONS |
| .XX = ±.02 | [.51] | ± 1/32 |
| .XXX = ±.005 | [.13] | ANGLES ± 1° |

CABLE LENGTH (L) TOLERANCES:

| | |
|-----------------------------|-----------------|
| L ≤ 12 [305] | = +1 [25] / -0 |
| 12 [305] < L ≤ 60 [1524] | = +2 [51] / -0 |
| 60 [1524] < L ≤ 120 [3048] | = +4 [102] / -0 |
| 120 [3048] < L ≤ 300 [7620] | = +6 [152] / -0 |
| 300 [7620] < L ≤ ∞ | = +5% / L / -0 |

ALL DIMENSIONS SHOWN
ARE FOR REFERENCE ONLY.

PE PASTERNAK
an INFINITO brand

Pasternack Enterprises, Inc.
P. O. Box 16759, Irvine, CA 92623.
Phone: 1.949.261.1920 | 1.866.727.8376
Fax: 1.949.261.7451
Website: www.pasternack.com
E-mail: sales@pasternack.com

THIRD-ANGLE PROJECTION

THE INFORMATION AND
DESIGN IN THIS DOCUMENT
IS THE PROPERTY OF
PASTERNAK CORPORATION
ALL RIGHTS RESERVED.

SHEET 1 OF 1

SCALE N/A

| | | | |
|------|-----------|----------|-------------|
| SIZE | CAGE CODE | DRAWN BY | PART NUMBER |
| A | 53919 | K.DANG | PE91530 |

THESE COMMODITIES, TECHNOLOGY OR SOFTWARE WERE EXPORTED FROM THE UNITED STATES IN ACCORDANCE WITH THE EXPORT ADMINISTRATION REGULATIONS. DIVERSION CONTRARY TO U.S. LAW PROHIBITED.