



Precision TNC Male to TNC Female Adapter

RF Adapters Technical Data Sheet

PE91505

Configuration

- TNC Male Connector 1
- TNC Female Connector 2
- 50 Ohm
- Precision Design
- Straight Body Geometry

Features

- Max VSWR of 1.15:1 up to 18 GHz
- Gold over Nickel Plated Beryllium Copper Contact

Applications

- Connector Saver
- General Purpose Test
- Precision Test & Measurement

Description

Pasternack's PE91505 TNC male to TNC female adapter is part of our full line of RF components available for same-day shipping. Our TNC to TNC adapter has a male to female gender configuration in a precision design. PE91505 TNC male to TNC female adapter operates to 18 GHz. The Pasternack RF adapter provides excellent VSWR of 1.15:1 maximum. The PE91505 Pasternack RF adapter can also be used as a connector saver to extend equipment life.

RF adapters are often used to enable connections between two connector types that would otherwise not mate. Certain adapter configurations can also be used to protect connectors on expensive equipment where the number of connect/disconnect cycles is high. An RF, microwave or millimeter wave adapter is connected to the equipment, and the commonly changed connection is made with the adapter which can be easily replaced when it wears out after high usage; such adapters are referred to as connector savers. Pasternack also offers bulkhead, panel mount, hermetically sealed, reverse polarity, and isolated ground adapter varieties to serve all of your RF, microwave and millimeter wave needs.

Electrical Specifications

| Description | Minimum | Typical | Maximum | Units |
|-----------------|---------|---------|---------|-------|
| Frequency Range | DC | | 18 | GHz |
| VSWR | | | 1.15:1 | |
| Insertion Loss | | | 0.22 | dB |

Electrical Specification Notes:
 Values at 25°C, sea level.
 Insertion Loss (dB) = $0.05 \cdot \sqrt{f(\text{GHz})}$.

Mechanical Specifications

| Size | |
|--------|---------------------|
| Length | 1.031 in [26.19 mm] |
| Width | 0.625 in [15.88 mm] |

Click the following link (or enter part number in "SEARCH" on website) to obtain additional part information including price, inventory and certifications: [Precision TNC Male to TNC Female Adapter PE91505](#)



Precision TNC Male to TNC Female Adapter

RF Adapters Technical Data Sheet

PE91505

| Description | Connector 1 | Connector 2 |
|---------------|-------------|-------------|
| Type | TNC Male | TNC Female |
| Polarity | Standard | Standard |
| Mating Cycles | 500 | |
| Hex Size | 9/16 in. | |

Material Specifications

| Description | Connector 1 | | Connector 2 | |
|-----------------|----------------------------|------------------|----------------------------|------------------|
| | Material | Plating | Material | Plating |
| Type | TNC Male | | TNC Female | |
| Contact | Beryllium Copper | Gold over Nickel | Beryllium Copper | Gold over Nickel |
| Insulation | PTFE | | PTFE | |
| Outer Conductor | | | Passivated Stainless Steel | |
| Body | Passivated Stainless Steel | | | |
| Gasket | Silicone Rubber | | | |
| Coupling Nut | Passivated Stainless Steel | | | |

Environmental Specifications

Temperature

Operating Range

-65 to +165 °C

Compliance Certifications (see [product page](#) for current document)

Plotted and Other Data

Notes:

Click the following link (or enter part number in "SEARCH" on website) to obtain additional part information including price, inventory and certifications: [Precision TNC Male to TNC Female Adapter PE91505](#)



Precision TNC Male to TNC Female Adapter

RF Adapters Technical Data Sheet

PE91505

Precision TNC Male to TNC Female Adapter from Pasternack Enterprises has same day shipment for domestic and International orders. Our RF, microwave and millimeter wave products maintain a 99.4% availability and are part of the broadest selection in the industry.

Click the following link (or enter part number in "SEARCH" on website) to obtain additional part information including price, inventory and certifications: [Precision TNC Male to TNC Female Adapter PE91505](#)

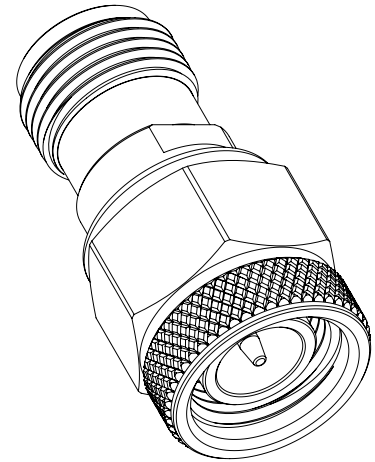
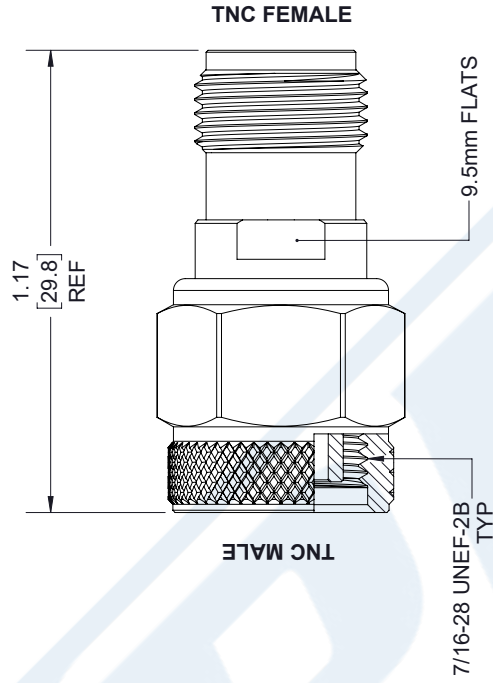
URL: <https://www.pasternack.com/tnc-male-tnc-female-straight-adapter-pe91505-p.aspx>

The information contained in this document is accurate to the best of our knowledge and representative of the part described herein. It may be necessary to make modifications to the part and/or the documentation of the part, in order to implement improvements. Pasternack reserves the right to make such changes as required. Unless otherwise stated, all specifications are nominal. Pasternack does not make any representation or warranty regarding the suitability of the part described herein for any particular purpose, and Pasternack does not assume any liability arising out of the use of any part or documentation.

PE91505 CAD Drawing

Precision TNC Male to TNC Female Adapter

| REVISIONS | | | |
|-----------|-----------------|----------|----------|
| REV. | DESCRIPTION | DATE | APPROVED |
| A | INITIAL RELEASE | 1/8/2020 | S.ELLIS |



UNLESS OTHERWISE SPECIFIED
LEADING DIMENSIONS ARE INCHES
DIMENSIONS IN [] ARE MILLIMETERS

TOLERANCES:

| | | | |
|--------------|--------|-------------------------------------|-----------------|
| .X = ±.2 | [5.08] | FRACTIONS | ± 1/32 |
| .XX = ±.02 | [.51] | ANGLES ± 1° | |
| .XXX = ±.005 | [.13] | CABLE LENGTH (L) TOLERANCES: | |
| | | L ≤ 12 [305] | = +1 [25] / -0 |
| | | 12 [305] < L ≤ 60 [1524] | = +2 [51] / -0 |
| | | 60 [1524] < L ≤ 120 [3048] | = +4 [102] / -0 |
| | | 120 [3048] < L ≤ 300 [7620] | = +6 [152] / -0 |
| | | 300 [7620] < L = +5% / L / -0 | |

ALL DIMENSIONS SHOWN
ARE FOR REFERENCE ONLY.

PE PASTERNAK
an INFINIT® brand

Pasternack Enterprises, Inc.
P. O. Box 16759, Irvine, CA 92623.
Phone: 1.949.261.1920 | 1.866.727.8376
Fax: 1.949.261.7451
Website: www.pasternack.com
E-mail: sales@pasternack.com

THIRD-ANGLE PROJECTION

THE INFORMATION AND DESIGN IN THIS DOCUMENT IS THE PROPERTY OF PASTERNAK CORPORATION. ALL RIGHTS RESERVED.

SHEET 1 OF 1

SCALE N/A

REV A

ITEM NO. PE91505

SIZE A

CAGE CODE 53919

DRAWN BY K.DANG