



Low PIM QN Male to N Female Adapter

RF Adapters Technical Data Sheet

PE91486

Configuration

- QN Male Connector 1
- N Female Connector 2
- 50 Ohm
- Low PIM Design
- Straight Body Geometry

Features

- Max VSWR of 1.2:1 up to 6 GHz
- PIM levels lower than -160 dBc
- Silver Plated Beryllium Copper Contact

Applications

- Allows Connection Between Series
- General Purpose Test
- Low PIM Applications

Description

Pasternack's PE91486 QN male to type N female adapter is part of our full line of RF components available for same-day shipping. Our QN to type N adapter has a male to female gender configuration in a low PIM design. PE91486 QN male to type N female adapter operates to 6 GHz. The Pasternack RF adapter provides excellent VSWR of 1.2:1 maximum and passive intermodulation of -160 dBc maximum.

RF adapters are often used to enable connections between two connector types that would otherwise not mate. Certain adapter configurations can also be used to protect connectors on expensive equipment where the number of connect/disconnect cycles is high. An RF, microwave or millimeter wave adapter is connected to the equipment, and the commonly changed connection is made with the adapter which can be easily replaced when it wears out after high usage; such adapters are referred to as connector savers. Pasternack also offers bulkhead, panel mount, hermetically sealed, reverse polarity, and isolated ground adapter varieties to serve all of your RF, microwave and millimeter wave needs.

Electrical Specifications

Description	Minimum	Typical	Maximum	Units
Frequency Range	DC		6	GHz
VSWR			1.2:1	
Return Loss			20.83	dB
Passive Intermodulation			-160	dBc
Dielectric Withstanding Voltage (AC)			1,000	Vrms

Performance by Frequency

Description	F1	F2	F3	F4	F5	Units
Frequency Range	DC to 3	3 to 6				GHz
VSWR, Max	1.15:1	1.2:1				

Electrical Specification Notes:

Click the following link (or enter part number in "SEARCH" on website) to obtain additional part information including price, inventory and certifications: [Low PIM QN Male to N Female Adapter PE91486](#)



Low PIM QN Male to N Female Adapter

RF Adapters Technical Data Sheet

PE91486

Values at 25°C, sea level.

Mechanical Specifications

Size

Length	1.409 in [35.79 mm]
Width	0.709 in [18.01 mm]
Height	0.709 in [18.01 mm]
Weight	0.0755 lbs [34.25 g]

Description	Connector 1	Connector 2
Type	QN Male	N Female
Polarity	Standard	Standard
Contact Captivation Axial Force, Min	6.07 lbs [2.75 kg]	6.07 lbs [2.75 kg]

Material Specifications

Description	Connector 1		Connector 2	
	Material	Plating	Material	Plating
Type	QN Male		N Female	
Contact	Beryllium Copper	Silver	Beryllium Copper	Silver
Insulation	PTFE		PTFE	
Outer Conductor			Beryllium Copper	Silver
Body	Brass	Tri-Metal	Brass	Tri-Metal
Coupling Nut	Beryllium Copper	Silver		

Environmental Specifications

Temperature

Operating Range	-40 to +155 °C
-----------------	----------------

Compliance Certifications (see [product page](#) for current document)

Plotted and Other Data

Notes:

Click the following link (or enter part number in "SEARCH" on website) to obtain additional part information including price, inventory and certifications: [Low PIM QN Male to N Female Adapter PE91486](#)



Low PIM QN Male to N Female Adapter

RF Adapters Technical Data Sheet

PE91486

Low PIM QN Male to N Female Adapter from Pasternack Enterprises has same day shipment for domestic and International orders. Our RF, microwave and millimeter wave products maintain a 99.4% availability and are part of the broadest selection in the industry.

Click the following link (or enter part number in "SEARCH" on website) to obtain additional part information including price, inventory and certifications: [Low PIM QN Male to N Female Adapter PE91486](#)

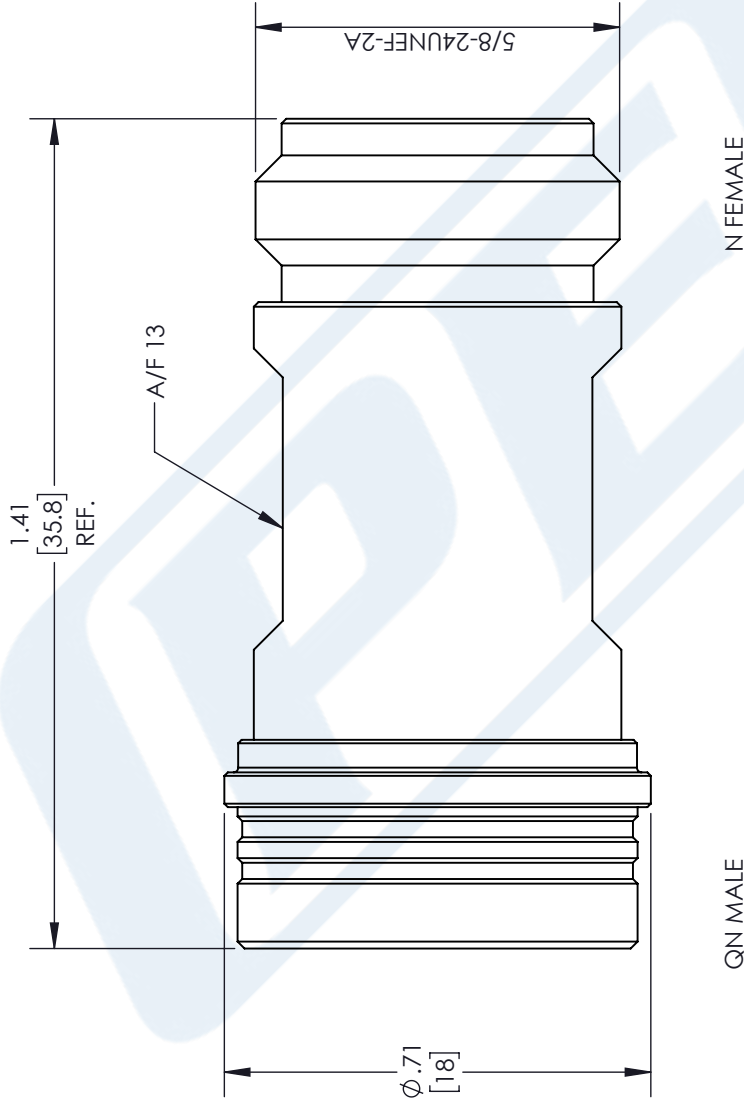
URL: <https://www.pasternack.com/low-pim-qn-male-to-n-female-adapter-pe91486-p.aspx>

The information contained in this document is accurate to the best of our knowledge and representative of the part described herein. It may be necessary to make modifications to the part and/or the documentation of the part, in order to implement improvements. Pasternack reserves the right to make such changes as required. Unless otherwise stated, all specifications are nominal. Pasternack does not make any representation or warranty regarding the suitability of the part described herein for any particular purpose, and Pasternack does not assume any liability arising out of the use of any part or documentation.

PE91486 CAD Drawing

Low PIM QN Male to N Female Adapter

REVISIONS		
REV.	DESCRIPTION	DATE
A	INITIAL RELEASE	03/24/2022
		APPROVED AGANWANI



<p>UNLESS OTHERWISE SPECIFIED LEADING DIMENSIONS ARE INCHES DIMENSIONS IN [] ARE MILLIMETERS</p> <p>TOLERANCES:</p> <p>.X = ±.2 [5.08] FRACTIONS ± 1/32 .XX = ±.02 [.51] ANGLES ± 1° .XXX = ±.005 [.13]</p> <p>CABLE LENGTH (L), TOLERANCES:</p> <p>L ≤ 12 [305] = +1 [25] / -0 12 [305] < L ≤ 60 [1524] = +2 [51] / -0 60 [1524] < L ≤ 120 [3048] = +4 [102] / -0 120 [3048] < L ≤ 300 [7620] = +6 [152] / -0 300 [7620] < L = +5% / -0</p> <p>ALL DIMENSIONS SHOWN ARE FOR REFERENCE ONLY.</p>	<p>THIRD-ANGLE PROJECTION</p> <p>THE INFORMATION AND DESIGN IN THIS DOCUMENT IS THE PROPERTY OF PASTERNAK CORPORATION ALL RIGHTS RESERVED.</p> <p>SHEET 1 OF 1</p> <p>SCALE N/A</p>	<p>PE PASTERNAK an INFINITI® brand</p> <p>Pasternack Enterprises, Inc. P. O. Box 16759, Irvine, CA 92623. Phone: 1.949.261.1920 1.866.727.8376 Fax: 1.949.261.7451 Website: www.pasternack.com E-mail: sales@pasternack.com</p> <p>SIZE A CAGE CODE 53919 DRAWN BY VTHANGARAJ ITEM NO. PE91486</p> <p>REV A</p>
---	--	--

THESE COMMODITIES, TECHNOLOGY OR SOFTWARE WERE EXPORTED FROM THE UNITED STATES IN ACCORDANCE WITH THE EXPORT ADMINISTRATION REGULATIONS. DIVERSION CONTRARY TO U.S. LAW PROHIBITED.