



SMA Female to SMB Jack Adapter

RF Adapters Technical Data Sheet

PE9143

Configuration

- SMA Female Connector 1
- SMB Jack Connector 2
- 50 Ohm
- Straight Body Geometry

Features

- Max VSWR of 1.46:1 up to 4 GHz
- SMA interface compliant with MIL-STD-348A
- SMB interface compliant with MIL-STD-348A
- Gold Plated Beryllium Copper Contact

Applications

- Allows Connection Between Series
- General Purpose Test

Description

Pasternack's PE9143 SMA female to SMB jack adapter is part of our full line of RF components available for same-day shipping. The SMA connector mates mechanically with commercially available 3.5mm and 2.92mm (K) connectors. Our SMA to SMB adapter has a female to jack gender configuration. PE9143 SMA female to SMB jack adapter operates to 4 GHz. The Pasternack RF adapter provides good VSWR of 1.46:1 maximum.

RF adapters are often used to enable connections between two connector types that would otherwise not mate. Certain adapter configurations can also be used to protect connectors on expensive equipment where the number of connect/disconnect cycles is high. An RF, microwave or millimeter wave adapter is connected to the equipment, and the commonly changed connection is made with the adapter which can be easily replaced when it wears out after high usage; such adapters are referred to as connector savers. Pasternack also offers bulkhead, panel mount, hermetically sealed, reverse polarity, and isolated ground adapter varieties to serve all of your RF, microwave and millimeter wave needs.

Electrical Specifications

Description	Minimum	Typical	Maximum	Units
Frequency Range	DC		4	GHz
Impedance		50 Ohm		
VSWR			1.46:1	
Operating Voltage (AC)			375	Vrms
Inner Conductor DC Resistance			6	mOhms
Outer Conductor DC Resistance			1	mOhms
Insulation Resistance	5,000			MOhms

Electrical Specification Notes:
Values at 25°C, sea level.

Mechanical Specifications

Size	
Length	0.71 in [17.98 mm]
Width	0.25 in [6.35 mm]

Click the following link (or enter part number in "SEARCH" on website) to obtain additional part information including price, inventory and certifications: [SMA Female to SMB Jack Adapter PE9143](#)



SMA Female to SMB Jack Adapter

RF Adapters Technical Data Sheet

PE9143

Height 0.25 in [6.35 mm]
 Weight 0.01 lbs [3.95 g]

Description	Connector 1	Connector 2
Type	SMA Female	SMB Jack
Polarity	Standard	Standard
Interface Specification	MIL-STD-348A	MIL-STD-348A
Mating Cycles, Min	500	500

Material Specifications

Description	Connector 1		Connector 2	
	Material	Plating	Material	Plating
Type	SMA Female		SMB Jack	
Contact	Beryllium Copper	Gold	Beryllium Copper	Gold
Insulation	PTFE		PTFE	
Outer Conductor	Brass	Nickel	Brass	Nickel

Environmental Specifications

Temperature

Operating Range -55 to 155 °C

Vibration

MIL-STD-202, Method 204, Condition B

Temperature Cycling

MIL-STD-202, Method 107, Condition B

Salt Spray

MIL-STD-202, Method 101, Condition B

Compliance Certifications (see [product page](#) for current document)

Plotted and Other Data

Notes:

Click the following link (or enter part number in "SEARCH" on website) to obtain additional part information including price, inventory and certifications: [SMA Female to SMB Jack Adapter PE9143](#)



SMA Female to SMB Jack Adapter

RF Adapters Technical Data Sheet

PE9143

SMA Female to SMB Jack Adapter from Pasternack Enterprises has same day shipment for domestic and International orders. Our RF, microwave and millimeter wave products maintain a 99.4% availability and are part of the broadest selection in the industry.

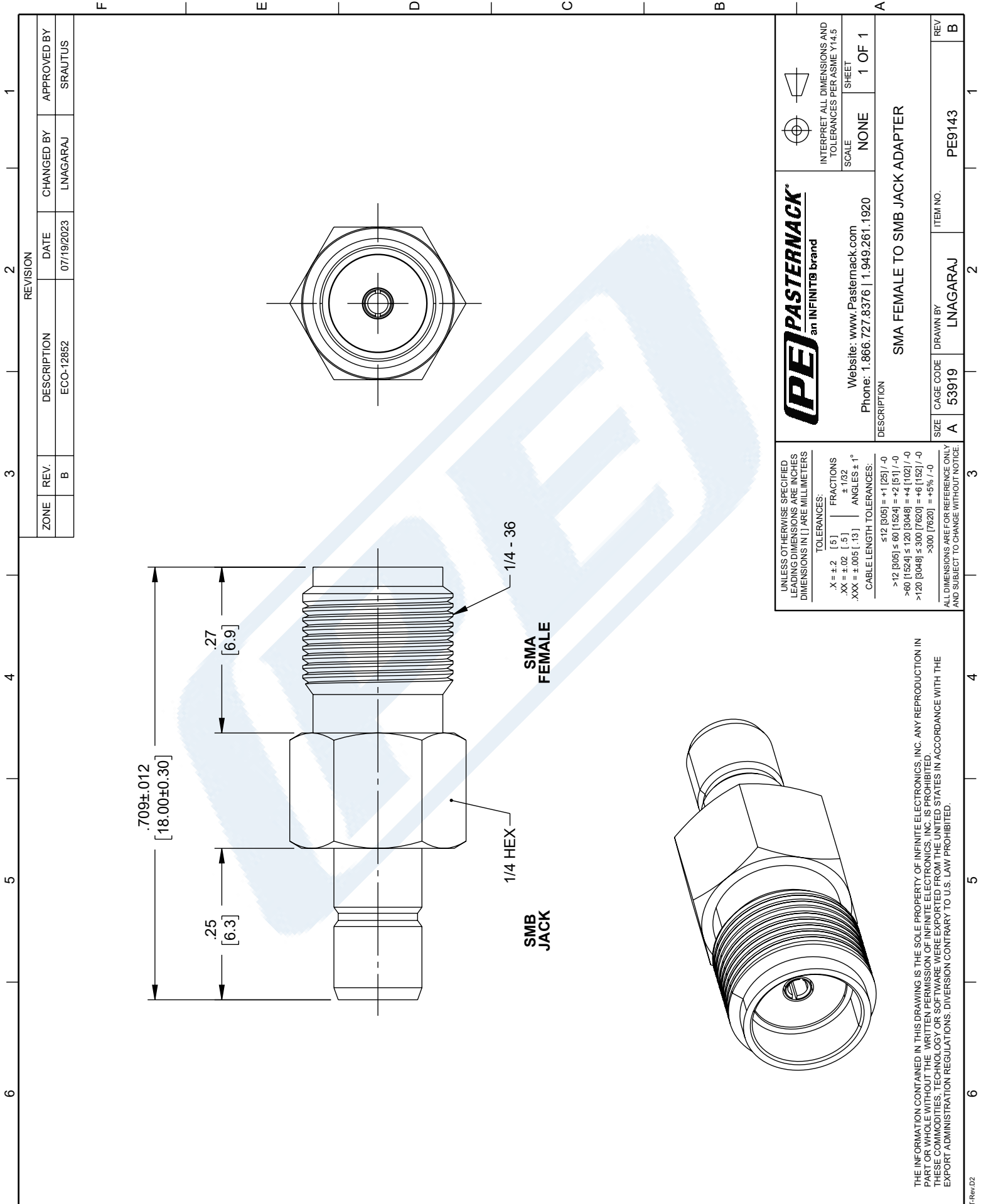
Click the following link (or enter part number in "SEARCH" on website) to obtain additional part information including price, inventory and certifications: [SMA Female to SMB Jack Adapter PE9143](#)

URL: <https://www.pasternack.com/sma-female-smb-jack-straight-adapter-pe9143-p.aspx>

The information contained in this document is accurate to the best of our knowledge and representative of the part described herein. It may be necessary to make modifications to the part and/or the documentation of the part, in order to implement improvements. Pasternack reserves the right to make such changes as required. Unless otherwise stated, all specifications are nominal. Pasternack does not make any representation or warranty regarding the suitability of the part described herein for any particular purpose, and Pasternack does not assume any liability arising out of the use of any part or documentation.

PE9143 CAD Drawing

SMA Female to SMB Jack Adapter



ZONE		REVISION		APPROVED BY	
B		ECO-12852	07/19/2023	LNAGARAJ	SRAUTUS

<p>PE PASTERNAK an INFINITI® brand</p> <p>Website: www.Pasternack.com Phone: 1.866.727.8376 1.949.261.1920</p>		<p>INTERPRET ALL DIMENSIONS AND TOLERANCES PER ASME Y14.5</p> <p>SCALE: NONE</p> <p>SHEET: 1 OF 1</p>	
DESCRIPTION: SMA FEMALE TO SMB JACK ADAPTER			
SIZE: A	CAGE CODE: 53919	DRAWN BY: LNAGARAJ	ITEM NO.: PE9143
UNLESS OTHERWISE SPECIFIED LEADING DIMENSIONS ARE INCHES DIMENSIONS IN [] ARE MILLIMETERS		<p>TOLERANCES:</p> <p>X = ±.2 [5] FRACTIONS ±.1032</p> <p>.XX = ±.02 [.5] ANGLES ± 1°</p> <p>XXX = ±.005 [.13]</p> <p>CABLE LENGTH TOLERANCES:</p> <p>≤12 [305] = +1 [25] / -0</p> <p>>12 [305] ≤ 60 [1524] = +2 [51] / -0</p> <p>>60 [1524] ≤ 120 [3048] = +4 [102] / -0</p> <p>>120 [3048] ≤ 300 [7620] = +6 [152] / -0</p> <p>>300 [7620] = +5% / -0</p>	
ALL DIMENSIONS ARE FOR REFERENCE ONLY AND SUBJECT TO CHANGE WITHOUT NOTICE.			

THE INFORMATION CONTAINED IN THIS DRAWING IS THE SOLE PROPERTY OF INFINITE ELECTRONICS, INC. ANY REPRODUCTION IN PART OR WHOLE WITHOUT THE WRITTEN PERMISSION OF INFINITE ELECTRONICS, INC. IS PROHIBITED. THESE COMMODITIES, TECHNOLOGY OR SOFTWARE WERE EXPORTED FROM THE UNITED STATES IN ACCORDANCE WITH THE EXPORT ADMINISTRATION REGULATIONS DIVERGENT CONTRARY TO U.S. LAW PROHIBITED.