



## 7/16 DIN Male to Male Precision Calibration Kit Component Thru Operating from DC to 7.5 GHz

### Calibration Kits Components Technical Data Sheet

PE91418

#### Features

- Precision Controlled Impedance
- Controlled Electrical Length
- Ultra Low VSWR
- Replaces Existing Calibrating Kit Components
- Serial Numbers on Shorts, Opens and Loads
- In Stock and Ready to Ship

#### Applications

- Vector Network Analyzer Calibration
- SOLT or OSLT Calibration
- Device Characterization
- De-embedding
- Precision Calibrating Kits

#### Description

Pasternack's PE91418 7/16 DIN male precision thru is part of our full line of RF components available for same-day shipping. This 7/16 DIN, precision thru is suitable for calibrating on most network and site analyzers. The controlled impedance and electrical length of this component support calibrations through the entire frequency range of the precision connector interface. Our 7/16 DIN male precision thru datasheet, specifications and drawing with dimensions are shown below in this PDF. Pasternack's broad catalog of RF, microwave and millimeter wave components allow designers to configure and customize their test solutions however they like. Whether the need is to provide precise SOLT / OSLT network analyzer calibrations or calibration kit replacement, Pasternack can ship you the right components same day.

#### Electrical Specifications

Description	Minimum	Typical	Maximum	Units
Frequency Range	DC		7.5	GHz
Impedance		50		Ohms
VSWR			1.03:1	
Electrical Delay		166		ps

Electrical Specification Notes:  
 Values at 25° sea level.

#### Mechanical Specifications

##### Size

Length	2.54 in [64.52 mm]
Width/Diameter	1.311 in [33.3 mm]
Pin Depth	0.0682 to 0.0712 in

##### Connector 1

Connector Type	7/16 DIN Male
Body Material and Plating	Stainless Steel

##### Connector 2

Connector Type	7/16 DIN Male
Connector Body Material and Plating	Stainless Steel

Click the following link (or enter part number in "SEARCH" on website) to obtain additional part information including price, inventory and certifications: [7/16 DIN Male to Male Precision Calibration Kit Component Thru Operating from DC to 7.5 GHz PE91418](#)



## 7/16 DIN Male to Male Precision Calibration Kit Component Thru Operating from DC to 7.5 GHz

### Environmental Specifications

**Compliance Certifications** (see [product page](#) for current document)

### Plotted and Other Data

Notes:

- Values at +25 °C, sea level

7/16 DIN Male to Male Precision Calibration Kit Component Thru Operating from DC to 7.5 GHz from Pasternack Enterprises has same day shipment for domestic and International orders. Our RF, microwave and millimeter wave products maintain a 99.4% availability and are part of the broadest selection in the industry.

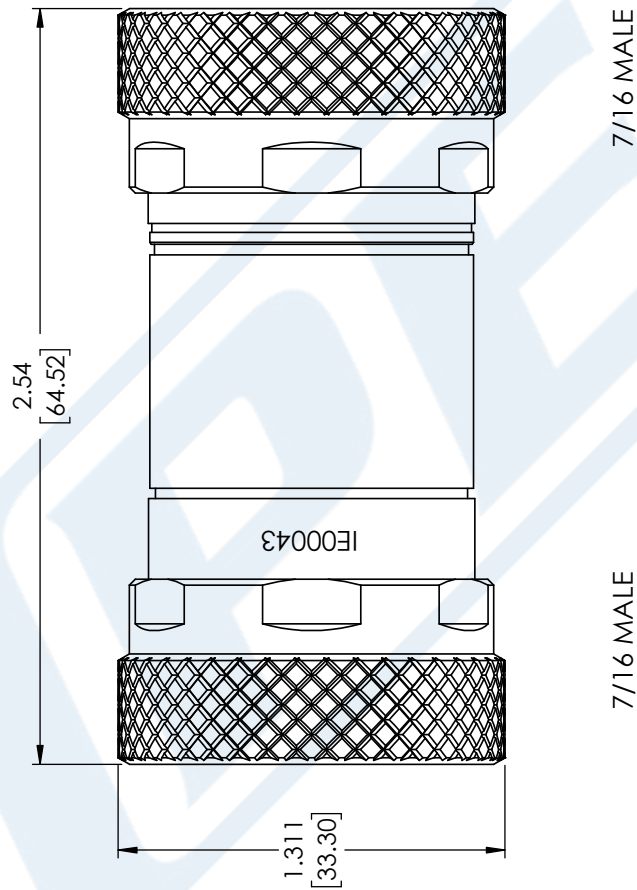
Click the following link (or enter part number in "SEARCH" on website) to obtain additional part information including price, inventory and certifications: [7/16 DIN Male to Male Precision Calibration Kit Component Thru Operating from DC to 7.5 GHz PE91418](#)

URL: <https://www.pasternack.com/7-16-din-male-calibration-kit-component-thru-7.5-ghz-pe91418-p.aspx>

The information contained in this document is accurate to the best of our knowledge and representative of the part described herein. It may be necessary to make modifications to the part and/or the documentation of the part, in order to implement improvements. Pasternack reserves the right to make such changes as required. Unless otherwise stated, all specifications are nominal. Pasternack does not make any representation or warranty regarding the suitability of the part described herein for any particular purpose, and Pasternack does not assume any liability arising out of the use of any part or documentation.

# PE91418 CAD Drawing

7/16 DIN Male to Male Precision Calibration Kit Component  
Thru Operating from DC to 7.5 GHz



### STANDARD TOLERANCES

- .X ±0.2
- .XX ±0.01
- .XXX ±0.005

\*STANDARD TOLERANCES APPLY ONLY TO DIMENSIONS IN INCHES



Pasternack Enterprises, Inc.  
P.O. Box 16759 | Irvine | CA | 92623  
Phone: (949) 261-1920 | Fax: (949) 261-7451  
Website: www.pasternack.com | E-Mail: sales@pasternack.com

DWG TITLE

PE91418

CAGE CODE 53919

NOTES:  
1. UNLESS OTHERWISE SPECIFIED ALL DIMENSIONS ARE NOMINAL.  
2. ALL SPECIFICATIONS ARE SUBJECT TO CHANGE WITHOUT NOTICE AT ANY TIME.  
3. DIMENSIONS ARE IN INCHES [mm].

CAD FILE 01/25/18

SCALE N/A

SIZE A

CN2245